

Note: Dimensions are nominal measurements only

SPECIFICATIONS

RECOMMENDED USE

Domestic

MATERIAL

Solid Surface

INSTALLATION

Undermount

OVERFLOW

Yes, overflow built in - no connectors required

CAPACITY

12.3L

RIM THICKNESS

12mm

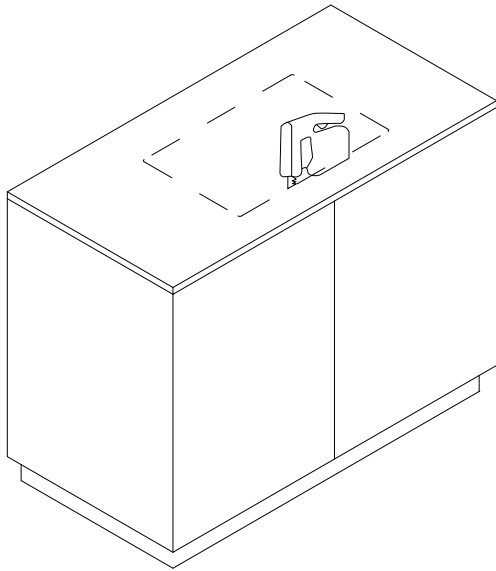
INSTALLATION GUIDE

Note: This product must be installed by a licensed plumber. This is a general installation guide - there are many factors involved that can alter the installation method. **AU/NZ:** For installations within Australia and New Zealand, this product must be installed in compliance with AS/NZS 3500. **UK:** For installations in the United Kingdom this product must be installed in compliance with the Water Supply (Water Fittings) Regulations and Water Supply (Water Fittings) (Scotland) Byelaws. **Other:** For installations outside these countries, this product must be installed in compliance with the standards in your respective country.



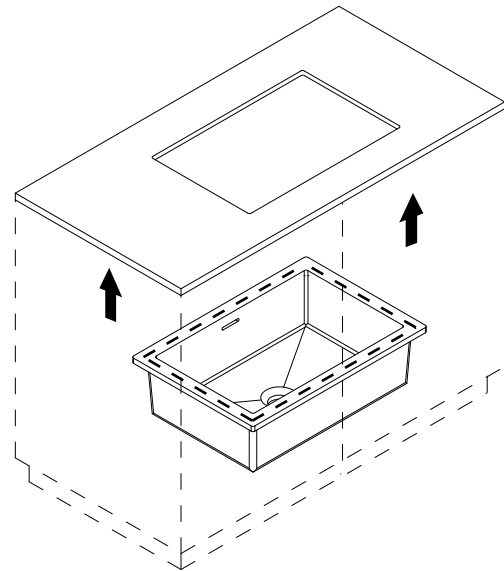
- 1** Mark out desired location of sink using the cut out template dimensions provided.

Cut out sink hole using preferred method.



- 2** Clean around the edge of benchtop sink hole & perimeter of sink rim.

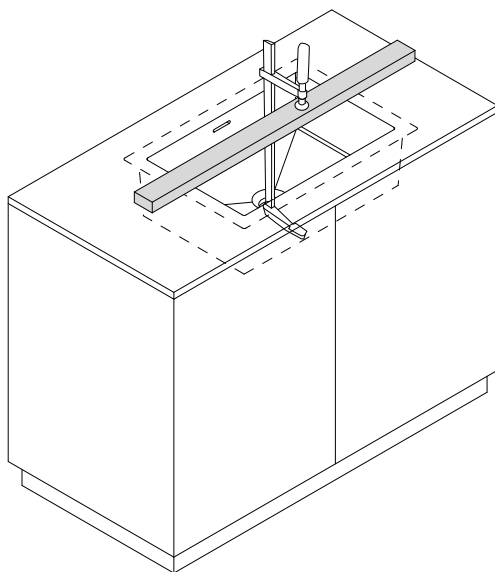
Position the sink in the cabinet below the benchtop hole. Apply adhesive to the perimeter of sink rim & lift into position.



- 3** Lay a piece of timber across the benchtop hole & position in line with sink hole below.

Place clamp through the sink hole & tighten the clamp to hold the sink in place. Wipe away any excess adhesive around benchtop opening.

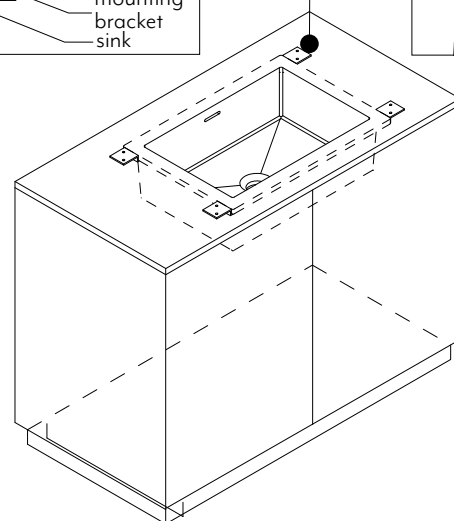
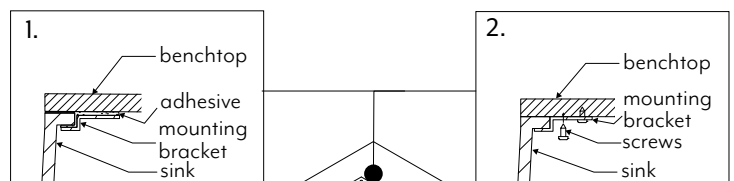
Note: Use rags to protect surfaces when either the clamp or timber is making contact with the benchtop or sink.



- 4** Depending on material of benchtop mount brackets using either 1. adhesive, or 2. provided screws.

1. Apply adhesive to the mounting bracket & fix it to the underside of the benchtop & sink rim. Repeat brackets at regular intervals. Wipe away any excess adhesive.

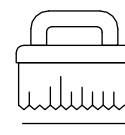
2. Screw mounting brackets into benchtop at regular intervals. Mark and predrill holes if required.



Regularly clean with mild liquid detergent or soap and water



DO NOT use cream cleaners or bleach. These substances are abrasive



DO NOT use cleaning pads with abrasive surfaces as this may scratch the material