



**Note:** Dimensions are nominal measurements only

## SPECIFICATIONS

### RECOMMENDED USE

Suitable for 900mm drawer

### MATERIAL

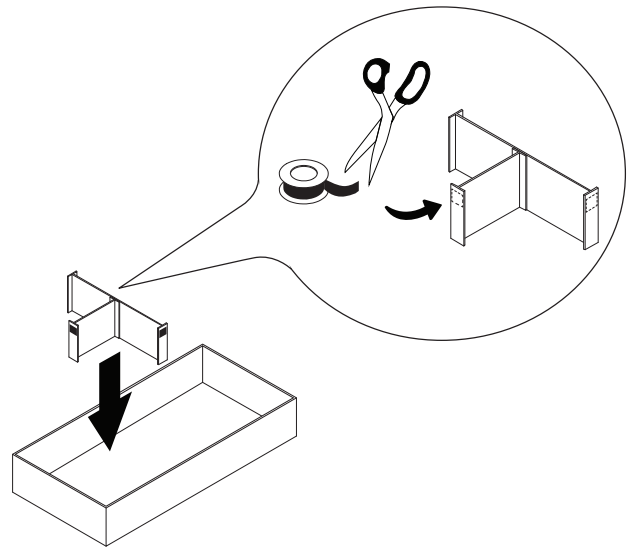
Acrylic

# INSTALLATION GUIDE

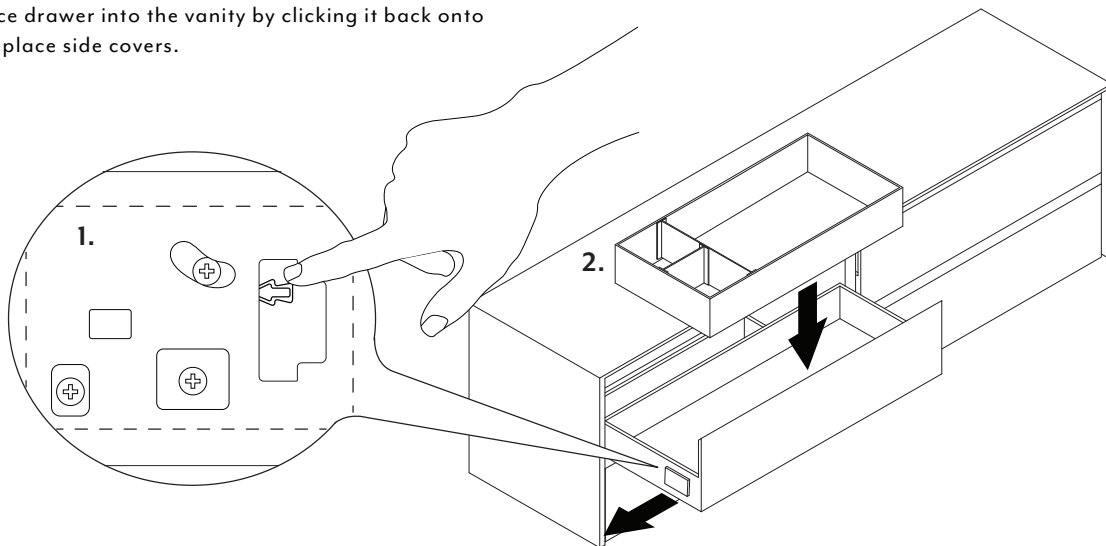
Note: This product must be installed by a licensed tradesperson. This is a general installation guide - there are many factors that are involved that can alter the installation method. This product install must comply with the standards in your respective country and must be adhered to by your licensed tradesperson.



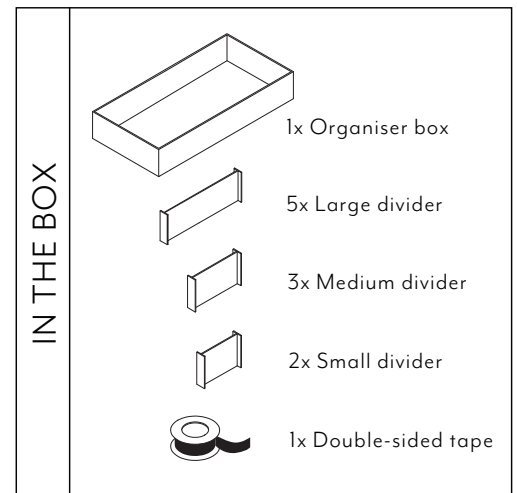
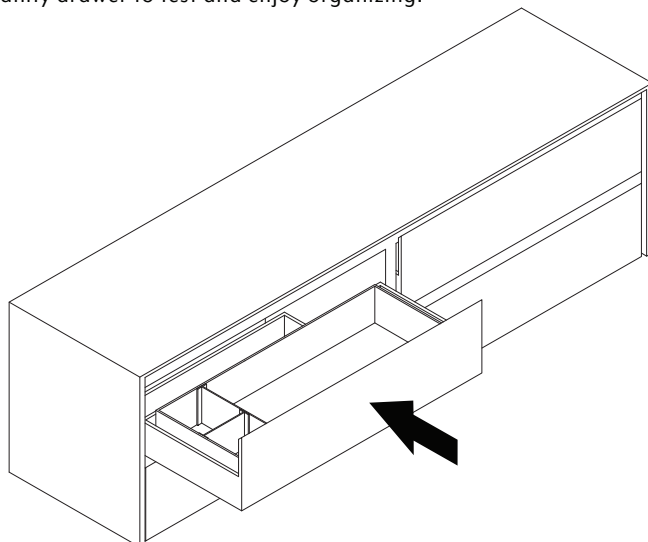
- 1 Insert dividers into organizer in your desired configuration. If desired place adhesive strips onto sides of divider. To ensure easy insertion, place a small amount of adhesive on to top quarter of the divider.



- 2 1. Remove vanity drawer. This can be done by removing side covers and pulling the concealed levers simultaneously to slide drawer off tracks.  
2. Place organizer into drawer.  
3. Replace drawer into the vanity by clicking it back onto track. Replace side covers.



- 3 Close vanity drawer to test and enjoy organizing!



Regularly clean with mild liquid detergent or soap and water.



DO NOT use cream cleaners or bleach. These substances are abrasive.



DO NOT use cleaning pads with abrasive surfaces as this may scratch the material.