

Note: Dimensions are nominal measurements only

SPECIFICATIONS

RECOMMENDED USE

Domestic/Commercial

MATERIAL

ABS Body & Stainless Steel Shell

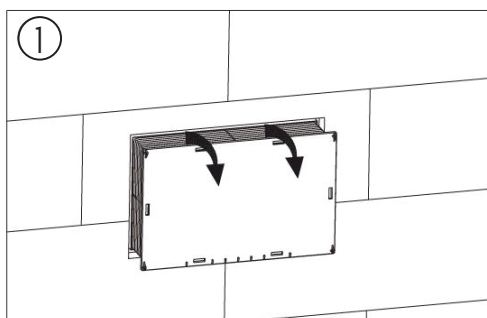
INSTALLATION

Wall Mounted (to be combined with ABI In-Wall Cistern)

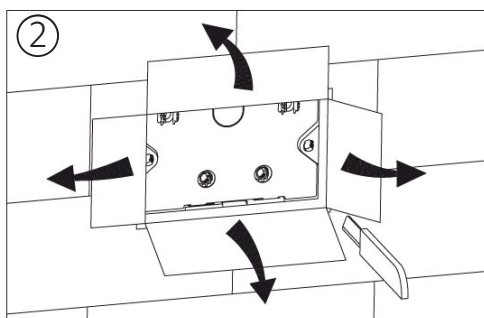
INSTALLATION GUIDE

This product must be installed by a licensed tradesperson.

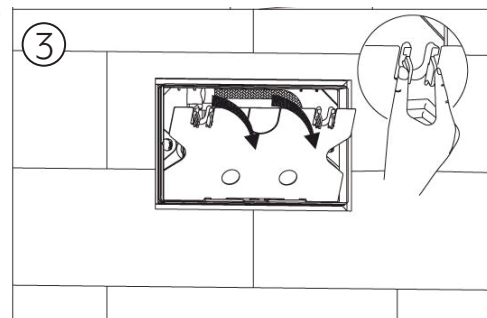
This is a general installation guide - there are many factors that are involved that can alter the installation method. This product install must comply with the standards in your respective country and must be adhered to by your licensed tradesperson.



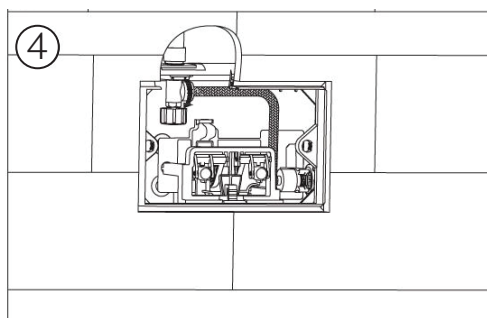
1 Cut plastic tabs from button housing



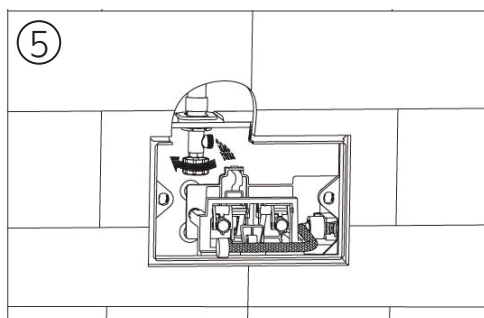
2 Fold back and trim



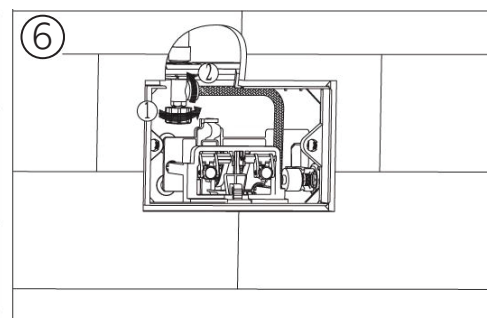
3 Remove cistern plate by squeezing clips



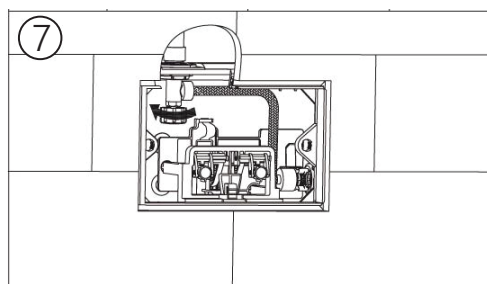
4 Remove hose by twisting anti-clockwise



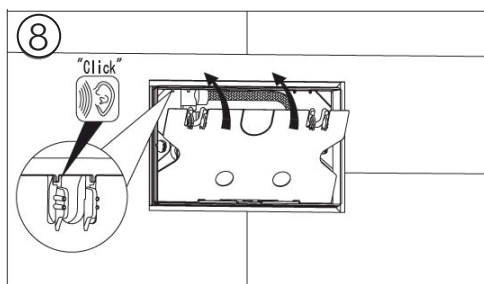
5 Turn valve on and flush out debris



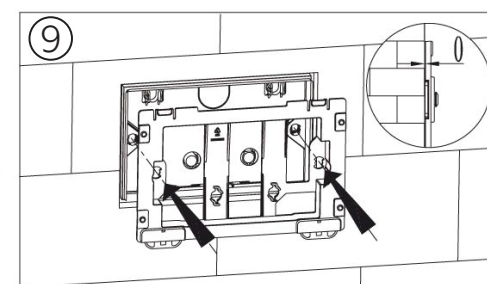
6 Turn valve off and reconnect hose



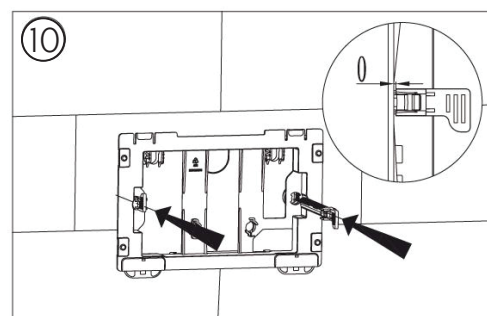
7 Turn on and check for leaks



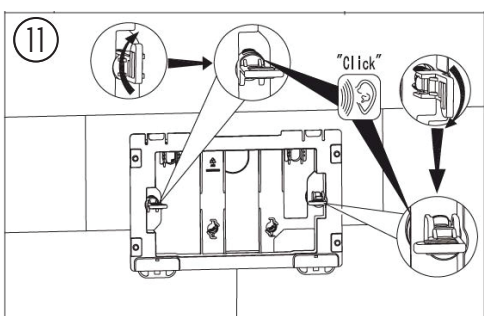
8 Refit cistern plate - this should click into place



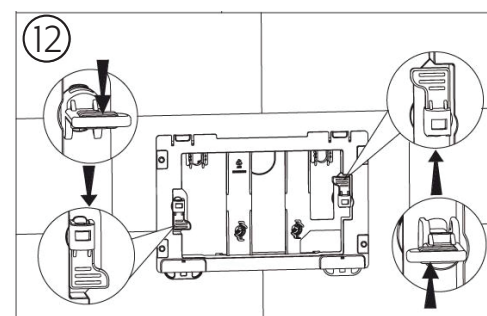
9 Fix internal button plate (3). Tip: Hold the plate horizontally - facing upwards. Drop the lock threads (4) through the holes to allow them to spin freely.



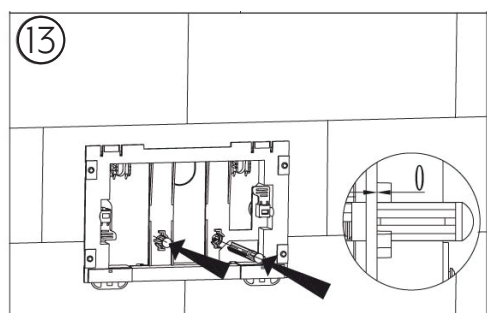
10 Hold button plate vertically and fit lock threads (4) into the cistern plate holes



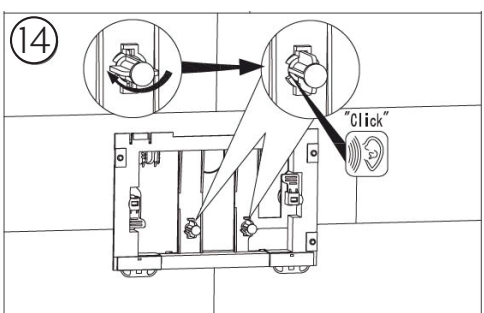
11 When plate (3) is in place, lock threads in by turning clockwise until they click.



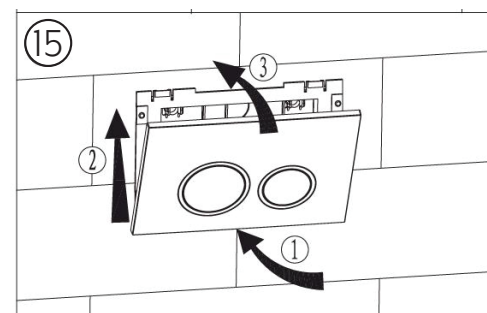
12 Fold tabs in (this allows the cover to sit flush)



13 Fit white and grey threads (5) into outlet flush valve by placing through holes in Internal Plate (3)



14 Turn threads clockwise until they click



15 Fit button face plate (6) by holding onto bottom of internal plate (3) pulling upwards and clicking top in