

Note: Dimensions are nominal measurements only

SPECIFICATIONS

RECOMMENDED USE Domestic

MATERIAL Solid Surface

INSTALLATION Bench Mount

OVERFLOW No

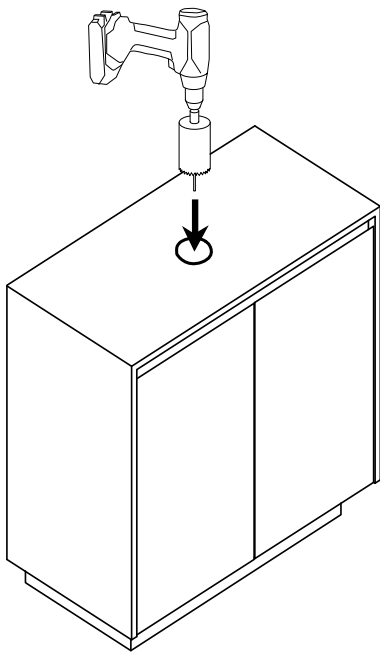
CAPACITY 12.2L

RIM THICKNESS 3mm

INSTALLATION GUIDE

This product must be installed by a licensed tradesperson.

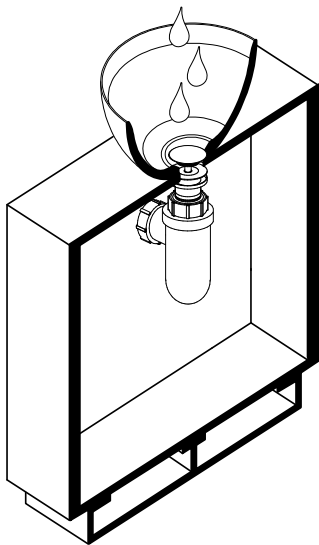
This is a general installation guide - there are many factors that are involved that can alter the installation method. This product install must comply with the standards in your respective country and must be adhered to by your licensed tradesperson.



1

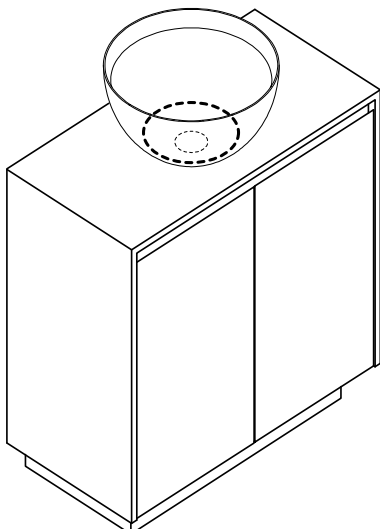
Mark out desired location of basin and drill hole for basin waste with a hole saw.

Note: If cutting a stone benchtop it will need to be cut in a controlled environment by a licensed tradesperson as per OH&S regulations.



2

Install pop up waste and attach to plumbing. Test by running water through the waste and pushing the plug down.



3

Silicone basin to vanity benchtop as required.



Regularly clean with mild liquid detergent or soap and water.



DO NOT use cream cleaners or bleach. These substances are abrasive.



DO NOT use cleaning pads with abrasive surfaces as this may scratch the material.