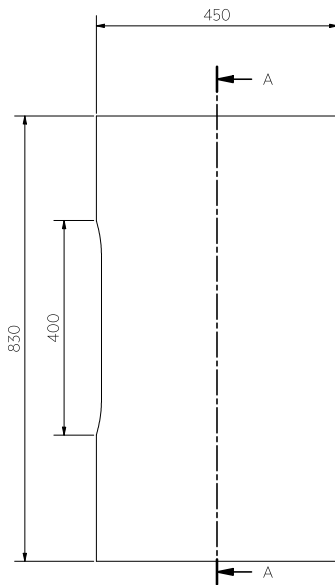
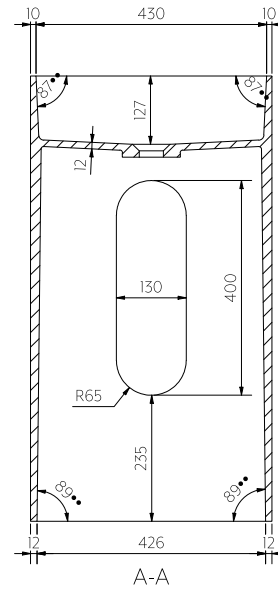


Top View



Side View



A-A

**Note:** Dimensions are nominal measurements only

## SPECIFICATIONS

RECOMMENDED USE

Domestic

MATERIAL

Solid Surface

INSTALLATION

Pedestal

OVERFLOW

No

CAPACITY

17.4L

RIM THICKNESS

10mm

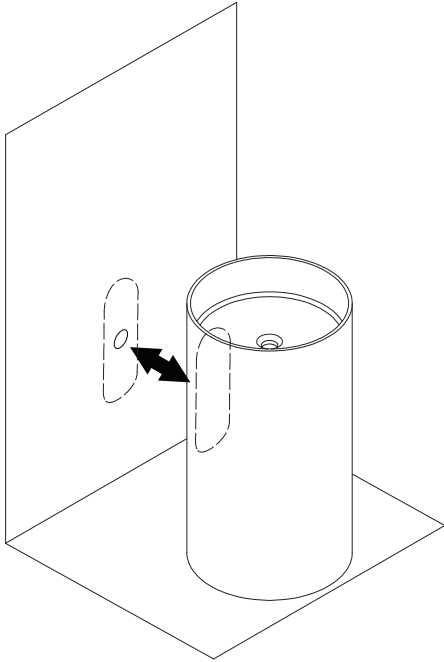
# INSTALLATION GUIDE



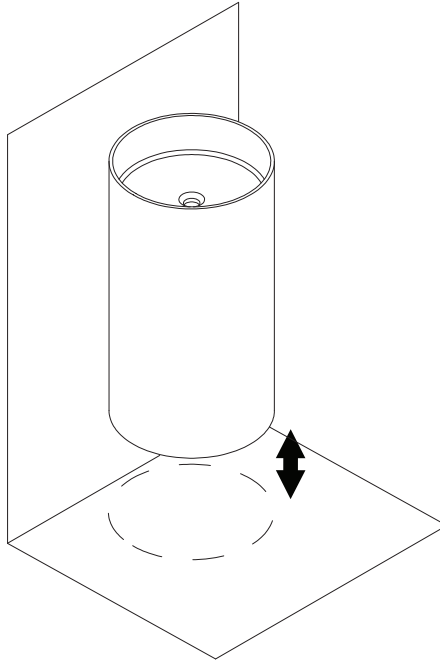
Note: This product must be installed by a licensed plumber. This is a general installation guide - there are many factors involved that can alter the installation method. AU/NZ: For installations within Australia and New Zealand, this product must be installed in compliance with AS/NZS 3500. UK: For installations in the United Kingdom this product must be installed in compliance with the Water Supply (Water Fittings) Regulations and Water Supply (Water Fittings) (Scotland) Byelaws. Other: For installations outside these countries, this product must be installed in compliance with the standards in your respective country.

## WALL WASTE - This guide is for installs where the waste outlet is in the wall.

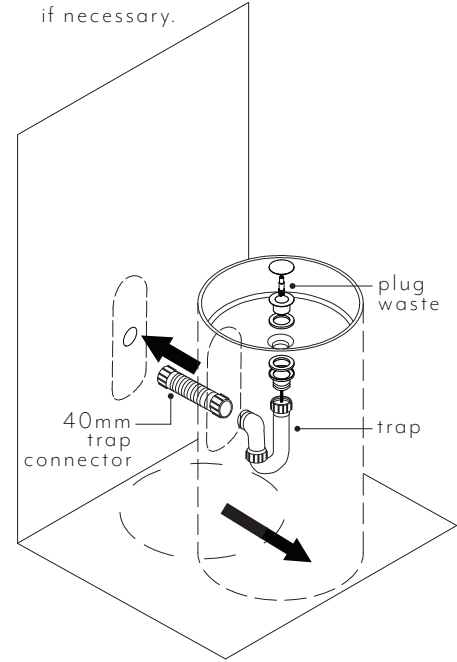
- 1 Associate the rear plumbing access hole of the basin to the wall waste.



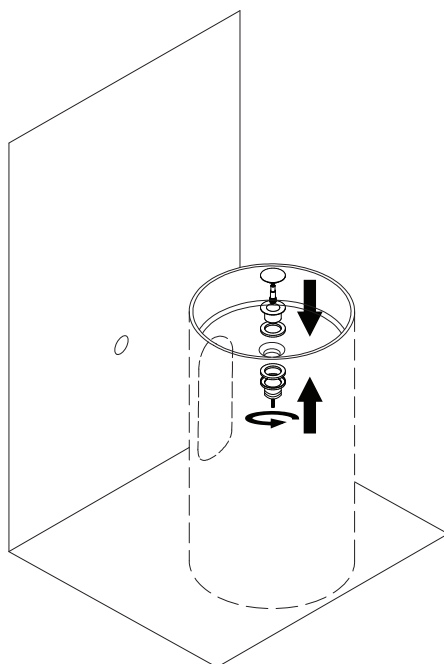
- 2 Mark desired location of basin to determine length of drainage from wall waste to basin outlet.



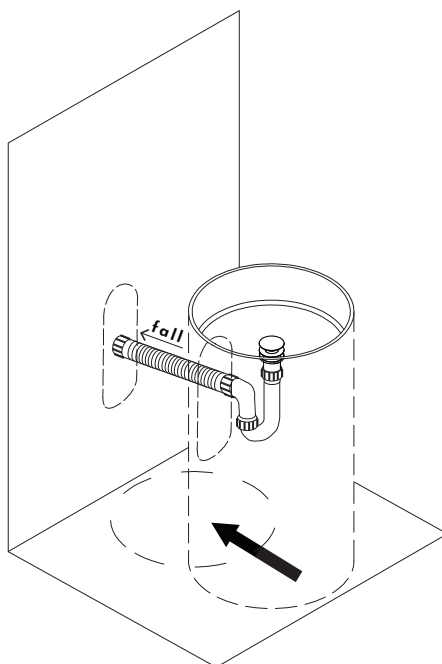
- 3 Shift basin away from desired location to plan out drainage connection to wall waste & alter if necessary.



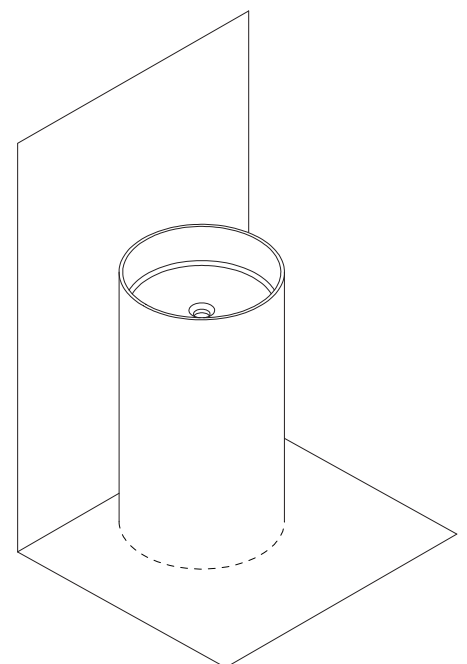
- 4 Fit plug waste into basin outlet, seal & tighten as required.



- 5 Fit out drainage connection to underside of basin. Connect drainage to wall waste & re-position basin. **Note:** allow fall from trap to waste hole.



- 6 Silicone around base of basin & wipe off any excess waste.



Regularly clean with mild liquid detergent or soap and water.



DO NOT use cream cleaners or bleach. These substances are abrasive.



DO NOT use cleaning pads with abrasive surfaces as this may scratch the material.

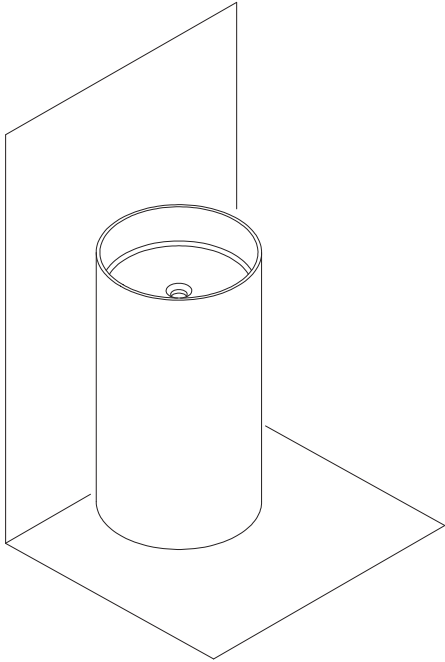
# INSTALLATION GUIDE

Note: This product must be installed by a licensed plumber. This is a general installation guide - there are many factors involved that can alter the installation method. AU/NZ: For installations within Australia and New Zealand, this product must be installed in compliance with AS/NZS 3500. UK: For installations in the United Kingdom this product must be installed in compliance with the Water Supply (Water Fittings) Regulations and Water Supply (Water Fittings) (Scotland) Byelaws. Other: For installations outside these countries, this product must be installed in compliance with the standards in your respective country.

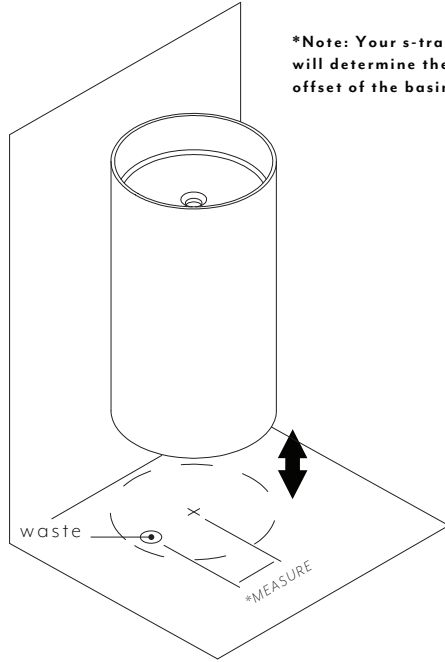


## FLOOR WASTE - This guide is for installs where the waste outlet is in the floor.

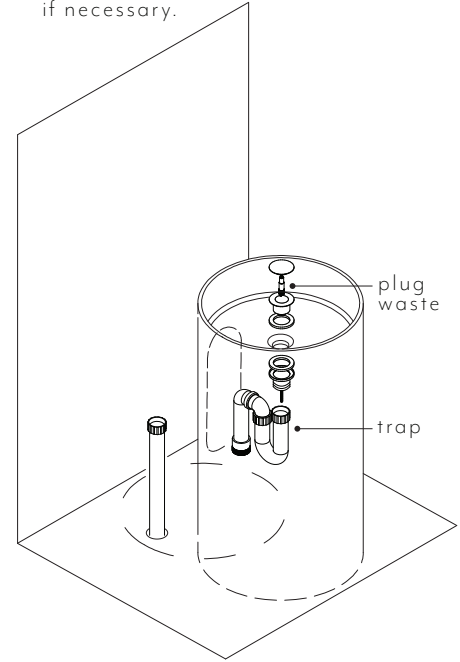
- 1 Associate the base of the basin hole of the basin to the wall waste.



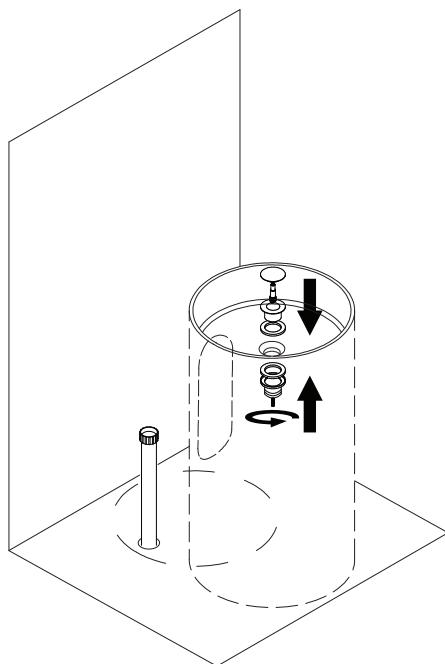
- 2 Mark desired location of basin to determine length of drainage from wall waste to basin outlet.



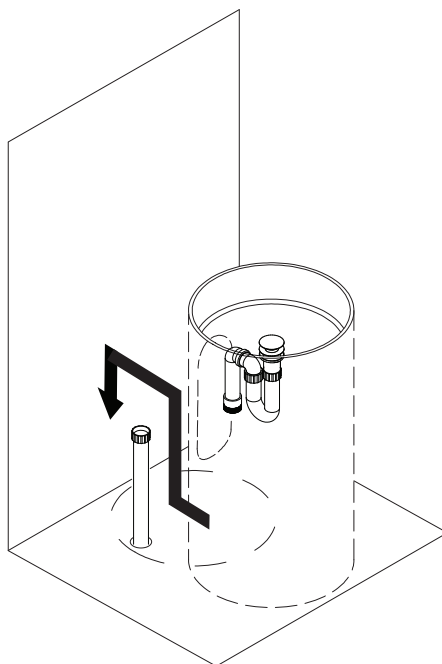
- 3 Shift basin away from desired location to plan out drainage connection to floor waste & alter if necessary.



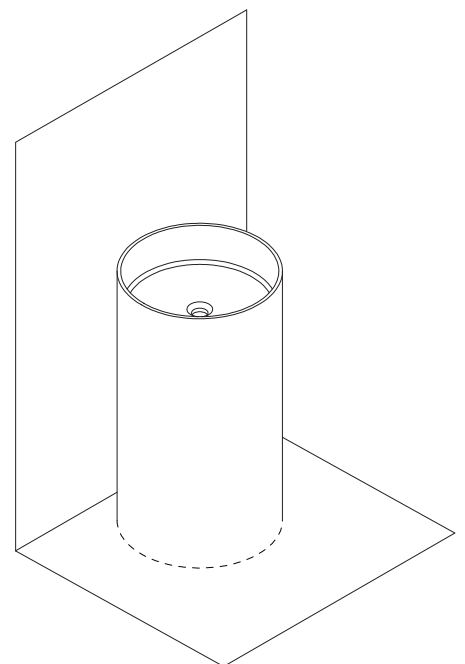
- 4 Fit plug waste into basin outlet, seal & tighten as required.



- 5 Fit out drainage connection to underside of basin. Move basin into position, rotate slightly allow access in the back to connect the waste pipe.



- 6 Silicone around base of basin & wipe off any excess waste.



Regularly clean with mild liquid detergent or soap and water.



DO NOT use cream cleaners or bleach. These substances are abrasive.



DO NOT use cleaning pads with abrasive surfaces as this may scratch the material.