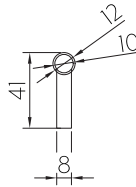


Top View



Side View

**Note:** Dimensions are nominal measurements only

## SPECIFICATIONS

RECOMMENDED USE

Domestic

MATERIAL

Solid Brass

MOUNTING HARDWARE INCLUDED

Yes, 2x M4 15-45mm Snap-off Bolt

MOUNTS FROM

Front

FIXING DISTANCE

450mm (centre to centre)

# INSTALLATION GUIDE

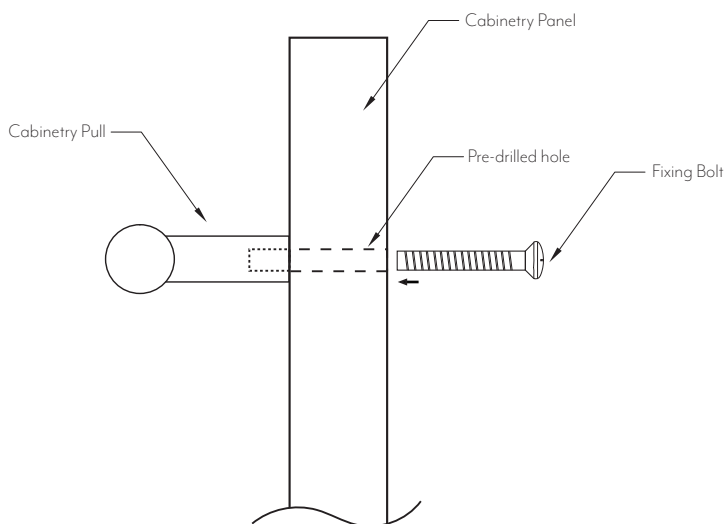
This product must be installed by a licensed tradesperson.

This is a general installation guide - there are many factors that are involved that can alter the installation method. This product install must comply with the standards in your respective country and must be adhered to by your licensed tradesperson.



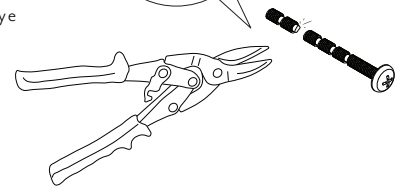
- 1 Determine the position of the cabinetry pull.
- 2 Use the tape measure to find the centre of the cabinetry panel (if you are installing only a single pull). Or divide your cabinetry panel into quarters, or a placement you prefer (if you are installing two pulls on the cabinetry panel).
- 3 Use the pencil to mark the centre of the holes.
- 4 Drill out the centre of marked holes with a smaller drill bit first (e.g. 2.5mm).
- 5 Use the level to make sure that the holes are aligned. Adjust the markings, if needed. Drill correct size hole of 4mm.
- 6 Mount the pull to the cabinetry and use the screwdriver to tighten the bolt.

## REQUIRED TOOLS AND MATERIALS



### Snap Off Bolts

Use a pair of tin snips or pliers to adjust the length of your bolt/s. **Note:** Eye protection must be worn!



Regularly clean with mild liquid detergent or soap and water.



DO NOT use cream cleaners or bleach. These substances are abrasive.



DO NOT use cleaning pads with abrasive surfaces as this may scratch the material.