

Note: Dimensions are nominal measurements only

SPECIFICATIONS

RECOMMENDED USE

Domestic/Commercial

MATERIAL

304 Stainless Steel

INSTALLATION

Undermount, Top Mount

OVERFLOW

Yes

CAPACITY

50L

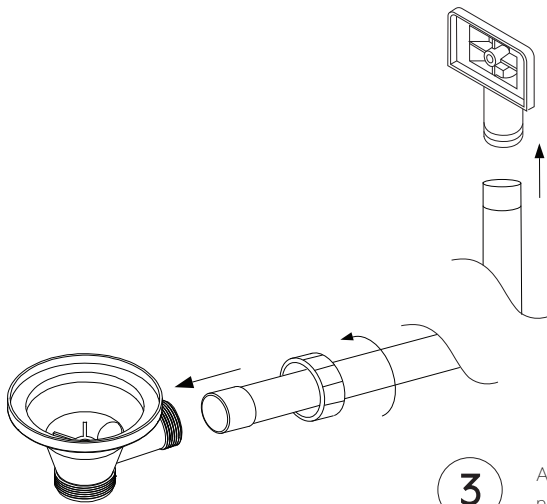
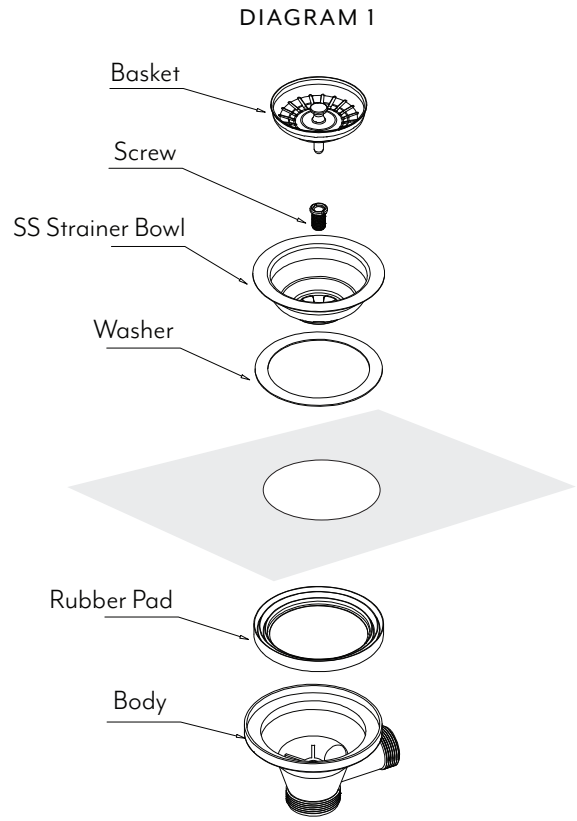
INSTALLATION GUIDE

Note: This product must be installed by a licensed plumber. This is a general installation guide - there are many factors involved that can alter the installation method. **AU/NZ:** For installations within Australia and New Zealand, this product must be installed in compliance with AS/NZS 3500. **UK:** For installations in the United Kingdom this product must be installed in compliance with the Water Supply (Water Fittings) Regulations and Water Supply (Water Fittings) (Scotland) Byelaws. **Other:** For installations outside these countries, this product must be installed in compliance with the standards in your respective country.

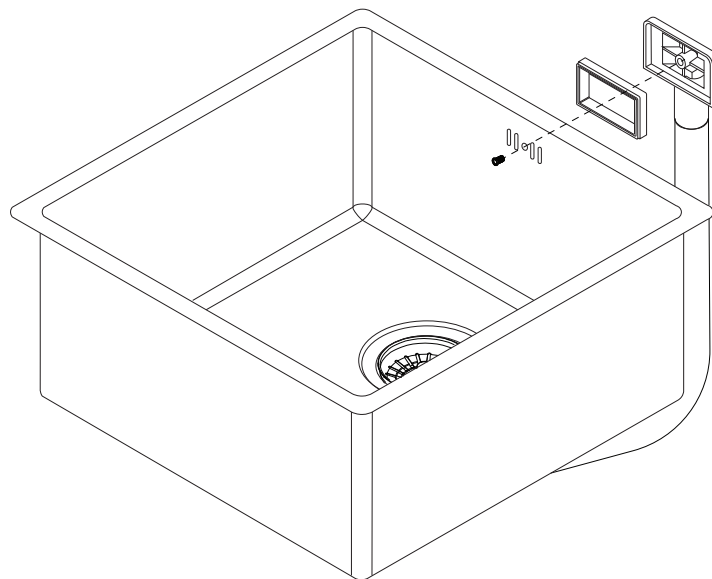


- 1 Disassemble the basket waste and install into sink. Washer & SS Strainer bowl should be installed from the top. Rubber pad and body to be on the underside of the sink - tighten screw to fix parts together. Add Basket (Diagram 1)

- 2 Connect the flexible pipe to the body and screw on fitting to tighten. Push pipe onto the overflow fitting - pushing as far as possible



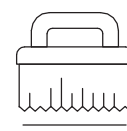
- 3 Add rubber seal into the overflow fitting, line up with hole and place on outside of sink. Tighten screw to fix parts together.



Regularly clean with mild liquid detergent or soap and water



DO NOT use cream cleaners or bleach. These substances are abrasive



DO NOT use cleaning pads with abrasive surfaces as this may scratch the material