

Note: Dimensions are nominal measurements only

SPECIFICATIONS

RECOMMENDED USE	Domestic/Commercial
MATERIAL	304 Stainless Steel
INSTALLATION	Undermount, Top Mount
OVERFLOW	Yes
CAPACITY	50L

INSTALLATION GUIDE

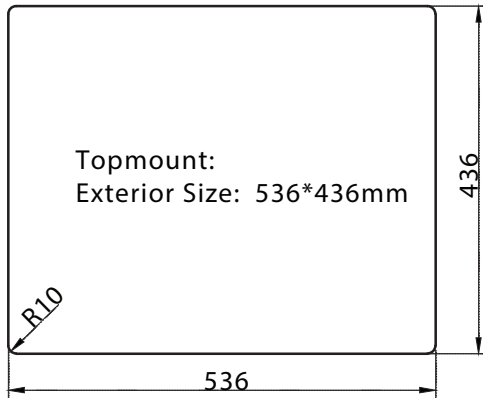
This product must be installed by a licensed tradesperson.

This is a general installation guide - there are many factors that are involved that can alter the installation method. This product install must comply with the standards in your respective country and must be adhered to by your licensed tradesperson.

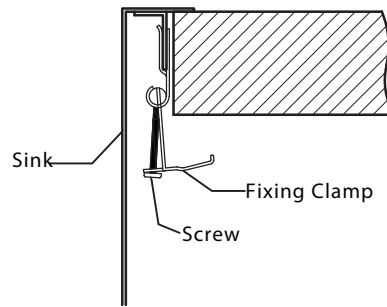


CUT-OUT TEMPLATES

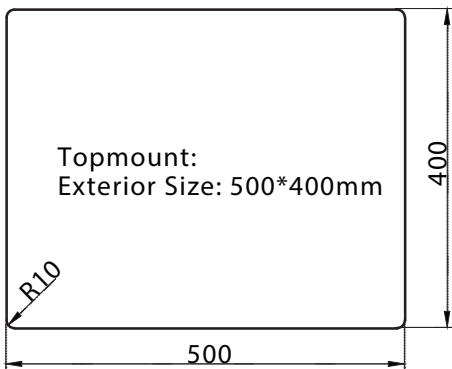
TOP MOUNT INSTALLATION



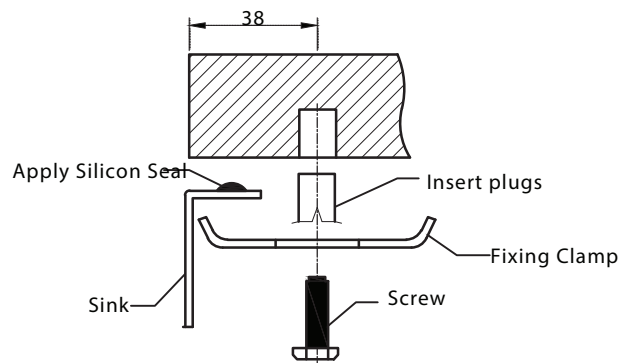
TOPMOUNT INSTALLATION



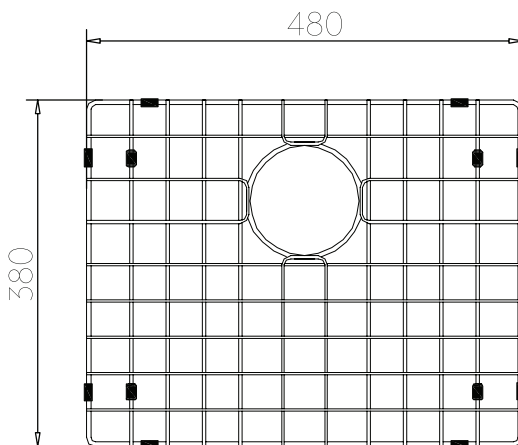
UNDERMOUNT INSTALLATION



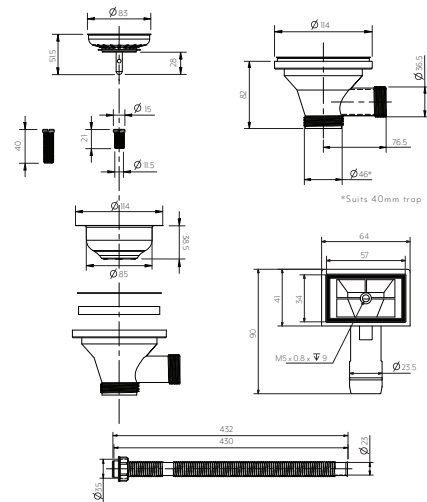
UNDERMOUNT INSTALLATION



RACK DIMENSIONS



BASKET WASTE



Note: Dimensions are nominal measurements only.



Regularly clean with mild liquid detergent or soap and water.



DO NOT use cream cleaners or bleach. These substances are abrasive.



DO NOT use cleaning pads with abrasive surfaces as this may scratch the material.

INSTALLATION GUIDE

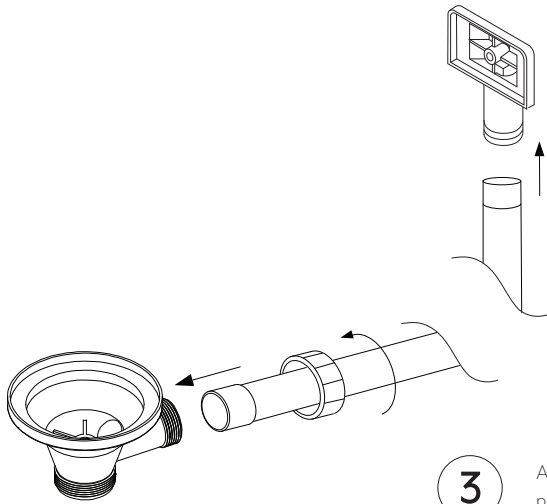
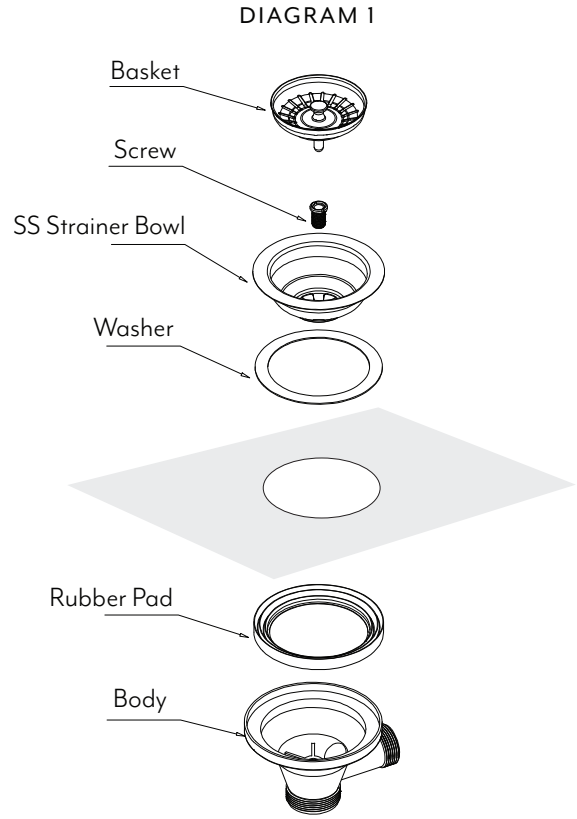
This product must be installed by a licensed tradesperson.

This is a general installation guide - there are many factors that are involved that can alter the installation method. This product install must comply with the standards in your respective country and must be adhered to by your licensed tradesperson.

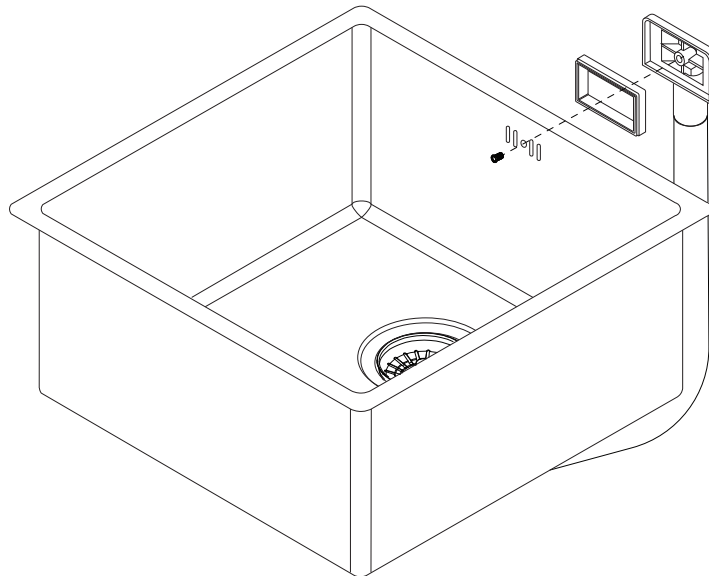


- 1 Disassemble the basket waste and install into sink. Washer & SS Strainer bowl should be installed from the top. Rubber pad and body to be on the underside of the sink - tighten screw to fix parts together. Add Basket (Diagram 1)

- 2 Connect the flexible pipe to the body and screw on fitting to tighten. Push pipe onto the overflow fitting - pushing as far as possible



- 3 Add rubber seal into the overflow fitting, line up with hole and place on outside of sink. Tighten screw to fix parts together.



Regularly clean with mild liquid detergent or soap and water.



DO NOT use cream cleaners or bleach. These substances are abrasive.



DO NOT use cleaning pads with abrasive surfaces as this may scratch the material.