

Note: Dimensions are nominal measurements only

SPECIFICATIONS

RECOMMENDED USE Domestic

MATERIAL Acrylic

WEIGHT 55kg

OVERFLOW Yes

CAPACITY 280L

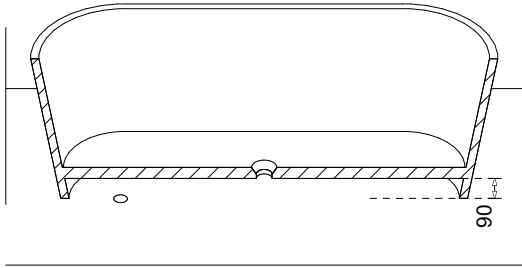
INSTALLATION GUIDE

This product must be installed by a licensed tradesperson.

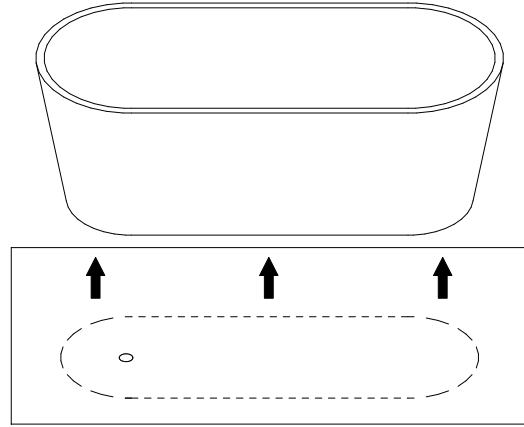
This is a general installation guide - there are many factors that are involved that can alter the installation method. This product install must comply with the standards in your respective country and must be adhered to by your licensed tradesperson.



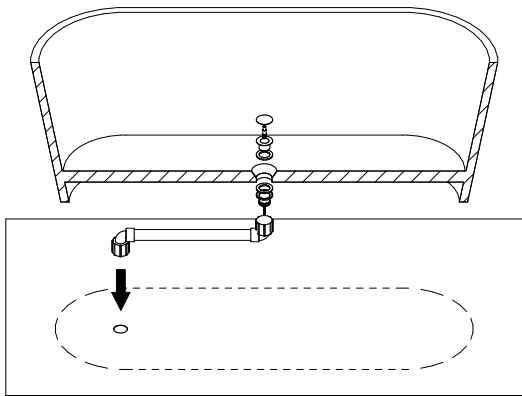
- 1 Allow for 90mm clearance from the underside of bath to floor.



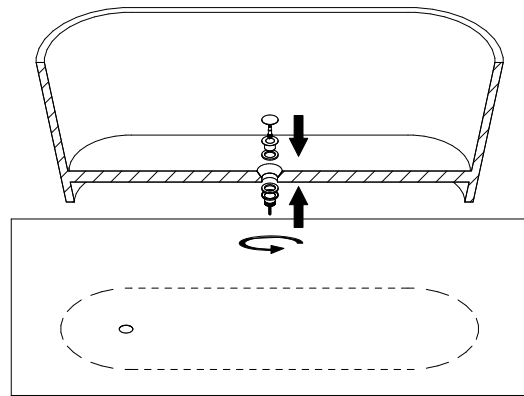
- 2 Mark position of bath to determine length of drainage from floor waste to bath outlet.



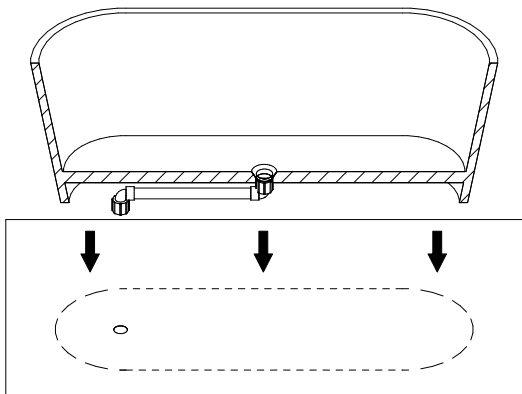
- 3 Plan out drainage connection to floor waste & alter if necessary.



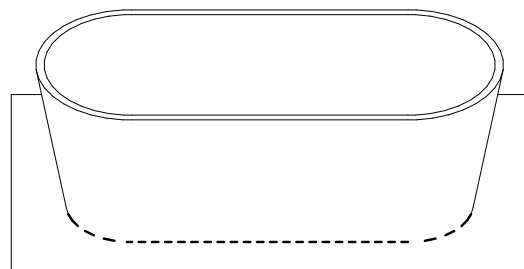
- 4 Fit plug waste into bath outlet, seal & tighten as required.



- 5 Fit out drainage connection to underside of bath. Position bath & connect drainage to floor waste.



- 6 Silicone around base of bath if necessary.



Regularly clean with mild liquid detergent or soap and water.



DO NOT use cream cleaners or bleach. These substances are abrasive.



DO NOT use cleaning pads with abrasive surfaces as this may scratch the material.