

Note: Dimensions are nominal measurements only

SPECIFICATIONS

RECOMMENDED USE

Domestic / Commercial

MATERIAL

Stainless Steel 304

TEMPERATURE RATING

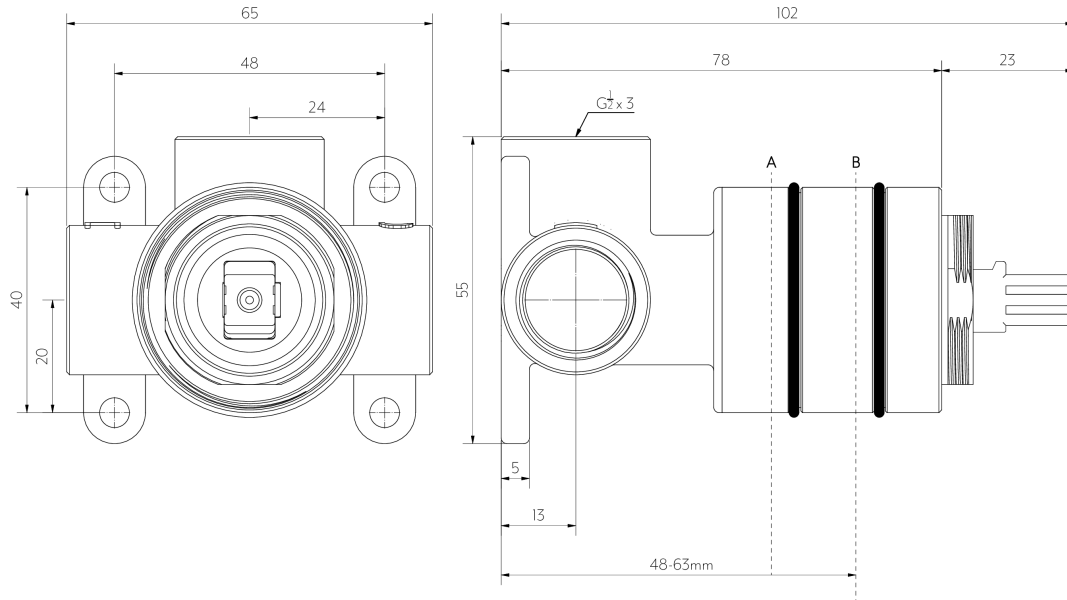
Maximum continuous working temperature 75°C
If the water temperature exceeds 75°C, an approved tempering valve must be fitted

PRESSURE RATING

Recommended minimum working pressure 0.2 Bar
Recommended maximum working pressure 5 Bar
Hot and cold water inlet pressure should be equal

SUITABLE HOT WATER UNITS

Storage tank: Yes
Continuous Flow: Yes
Gravity Feed: Not suitable



DISCLAIMER: To achieve infinity (interchangeable sleeves) finish wall must fall between point A and B. Please ensure waterproofing is set back from finish wall and does not obstruct sleeves.

Note: Dimensions are nominal measurements only

SPECIFICATIONS

RECOMMENDED USE

Domestic / Commercial

MATERIAL

Stainless Steel 304

TEMPERATURE RATING

Maximum continuous working temperature 75°C
If the water temperature exceeds 75°C, an approved tempering valve must be fitted

PRESSURE RATING

Recommended minimum working pressure 0.2 Bar
Recommended maximum working pressure 5 Bar
Hot and cold water inlet pressure should be equal

SUITABLE HOT WATER UNITS

Storage tank: Yes
Continuous Flow: Yes
Gravity Feed: Suitable

INSTALLATION GUIDE

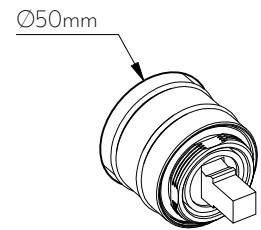
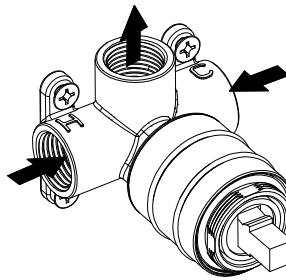
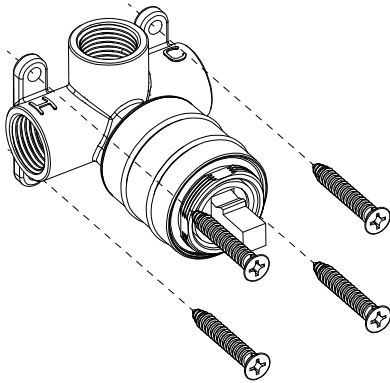
Note: This product must be installed by a licensed plumber. This is a general installation guide - there are many factors involved that can alter the installation method. **AU/NZ:** For installations within Australia and New Zealand, this product must be installed in compliance with AS/NZS 3500. **UK:** For installations in the United Kingdom this product must be installed in compliance with the Water Supply (Water Fittings) Regulations and Water Supply (Water Fittings) (Scotland) Byelaws. **Other:** For installations outside these countries, this product must be installed in compliance with the standards in your respective country.



ROUGH IN

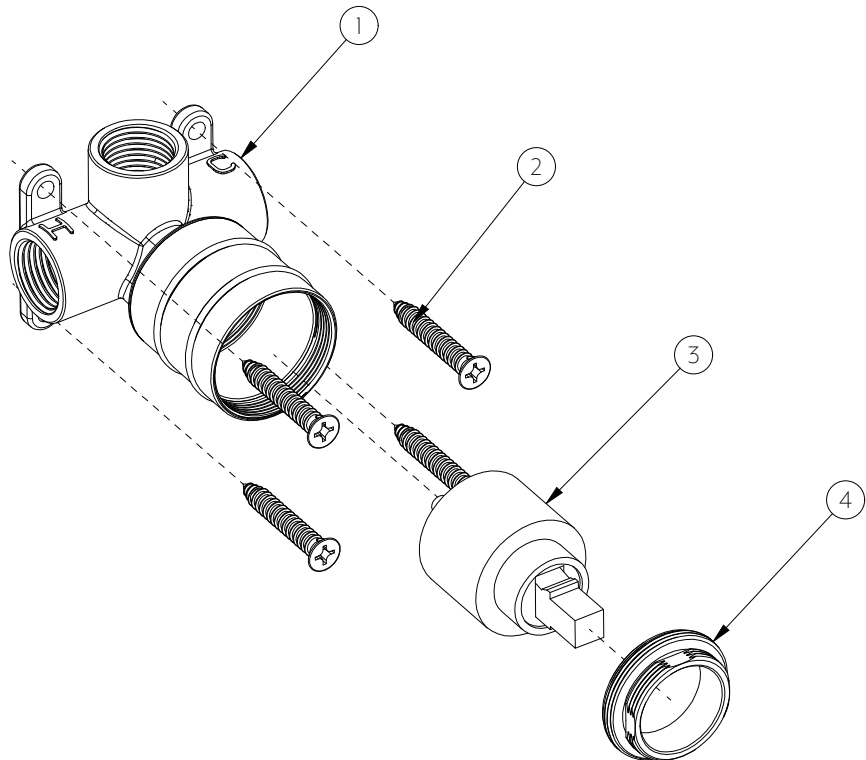
See specification image for finish wall setback

- 1 Screw in-wall body into wall structure with provided screws.
- 2 Connect hot, cold and mixed lines. **TEST AND CHECK FOR LEAKS.**
- 3 Sheeting and waterproof layer can now be applied. *Ensure cutout in finish wall is $\varnothing 50\text{mm}$.



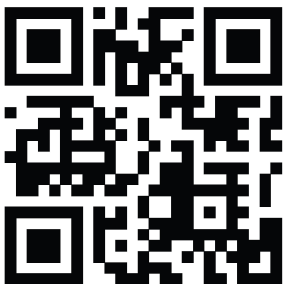
WHAT'S IN THE BOX

1. Body
2. Fixing screws
3. Cartridge
4. Locking nut



SCAN QR

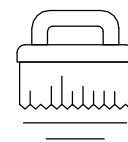
Tile cutout guides for compatible handle kits



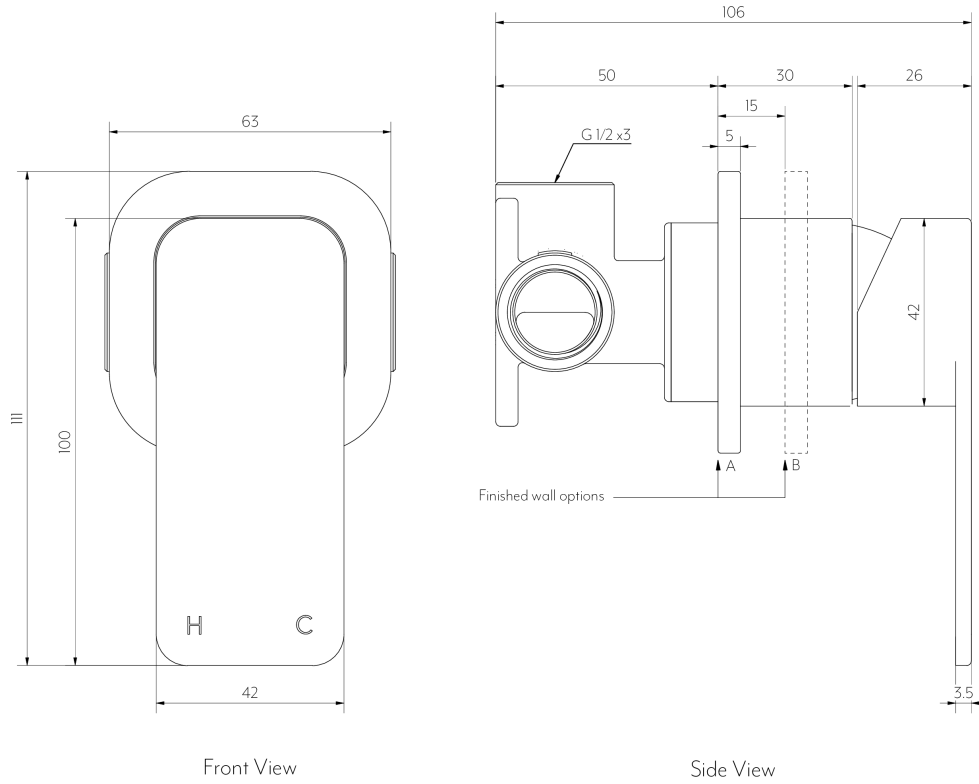
Regularly clean with mild liquid detergent or soap and water



DO NOT use cream cleaners or bleach. These substances are abrasive



DO NOT use cleaning pads with abrasive surfaces as this may scratch the material



Note: Dimensions are nominal measurements only

SPECIFICATIONS

RECOMMENDED USE

Domestic / Commercial

MATERIAL

Stainless Steel 304

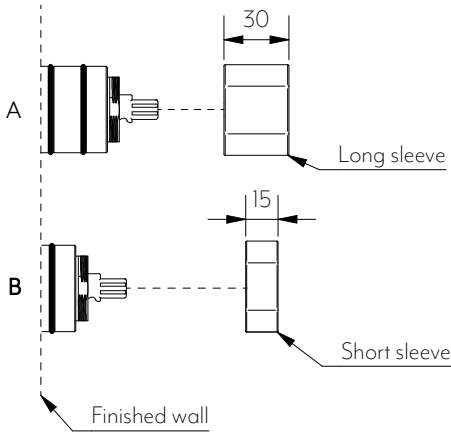
INSTALLATION GUIDE

Note: This product must be installed by a licensed plumber. This is a general installation guide - there are many factors involved that can alter the installation method. **AU/NZ:** For installations within Australia and New Zealand, this product must be installed in compliance with AS/NZS 3500. **UK:** For installations in the United Kingdom this product must be installed in compliance with the Water Supply (Water Fittings) Regulations and Water Supply (Water Fittings) (Scotland) Byelaws. **Other:** For installations outside these countries, this product must be installed in compliance with the standards in your respective country.

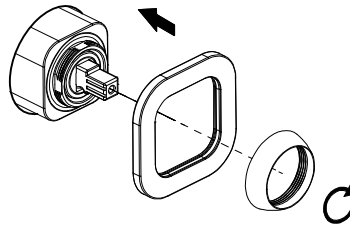


NOTE: See Minimal Mixer Body installation guide for in-wall set out.

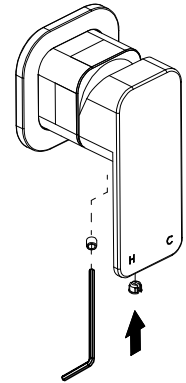
- 1 Choose sleeve based on how far your in-wall body protrudes from finish wall and slide on.



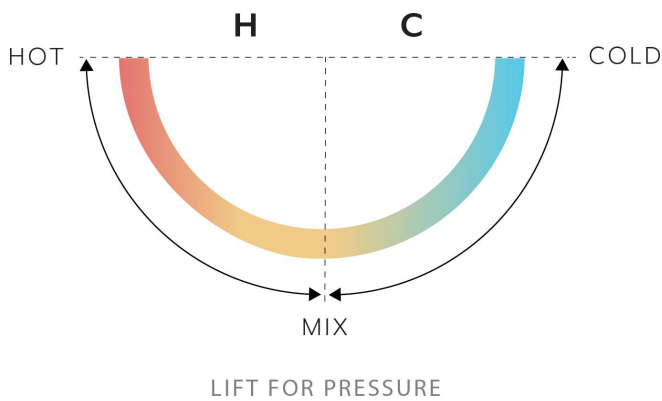
- 2 Slide back plate on. Screw dome on.



- 3 Tighten grub screw with allen key. Replace grub screw cap.

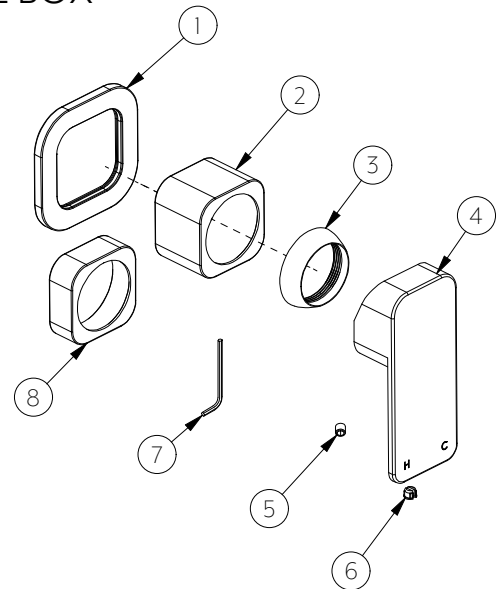


MIXER OPERATION



WHAT'S IN THE BOX

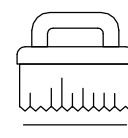
1. Back plate
2. Long sleeve
3. Dome
4. Handle
5. Grub screw
6. Grubs screw cap
7. Allen key
8. Short sleeve



Regularly clean with mild liquid detergent or soap and water



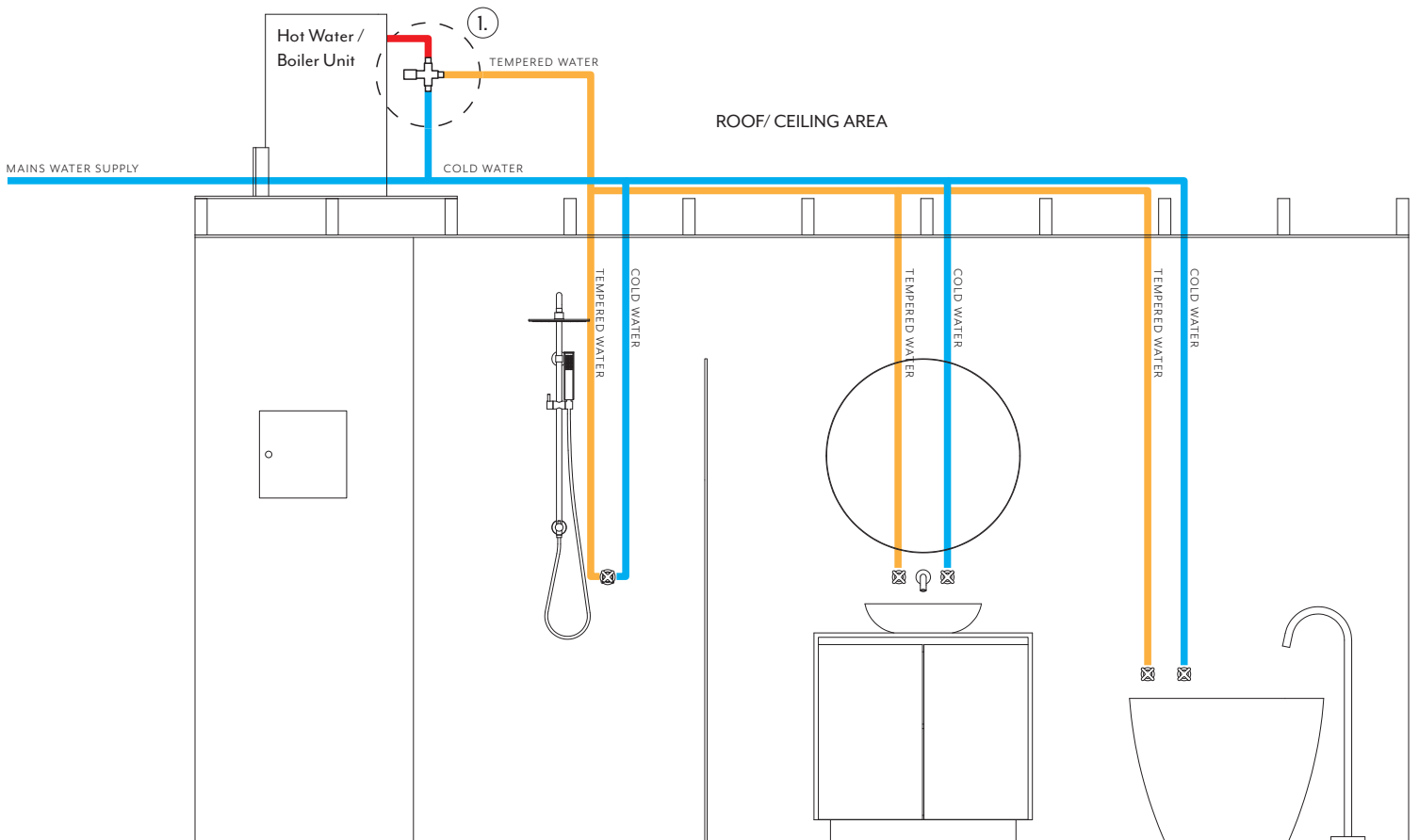
DO NOT use cream cleaners or bleach. These substances are abrasive



DO NOT use cleaning pads with abrasive surfaces as this may scratch the material

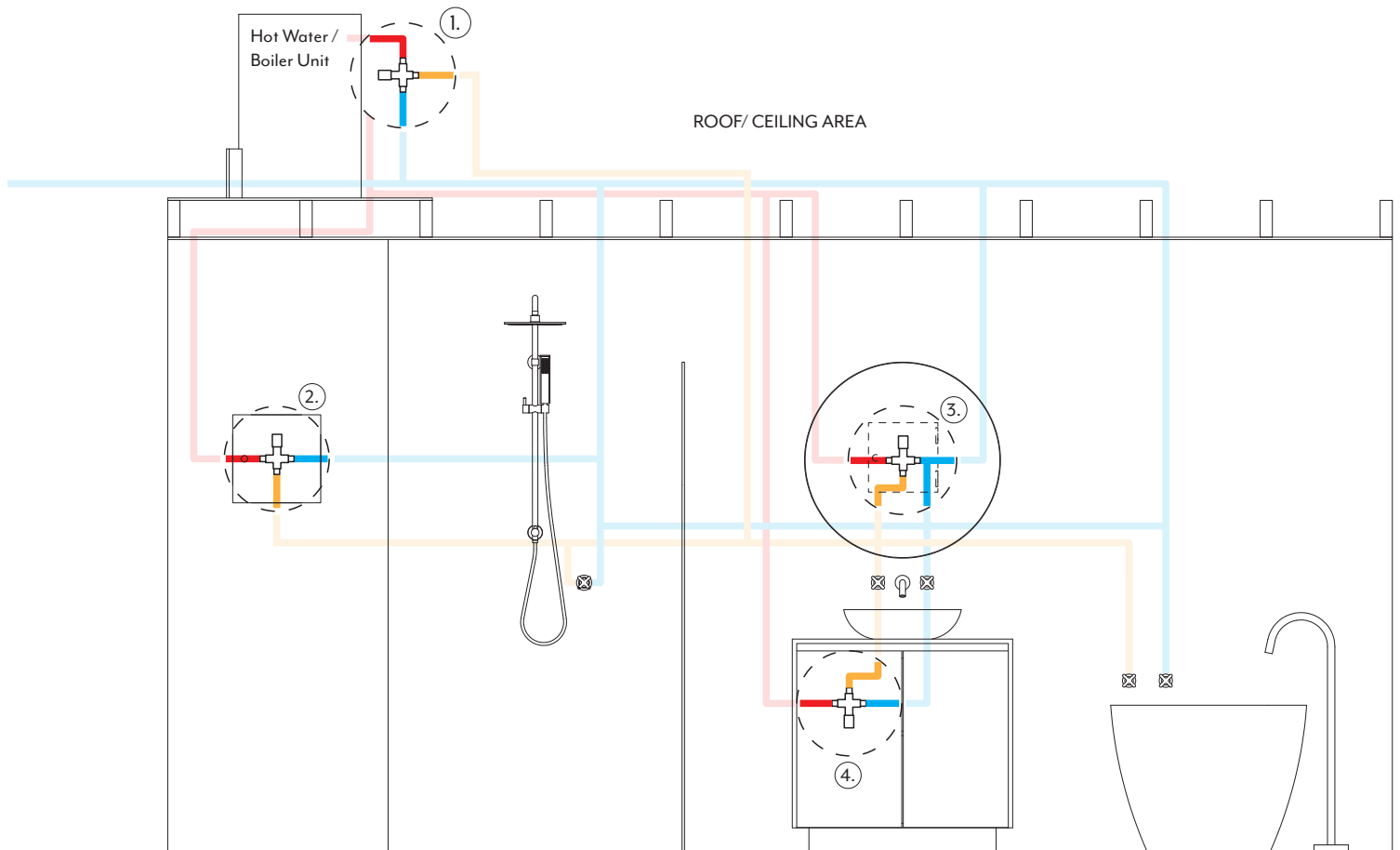
A **TMV** [Thermostatic Mixing Valve] is required in homes that do not have a TMV fitted, If the hot water coming out your tap is more than **50°C** you will need to adjust your TMV.

1. We recommend placing your **TMV** directly after your hot water/ boiler unit. Consult with a **licensed plumber** to discuss the best position for your needs.



— TEMPERED WATER
 — COLD WATER
 — SCOLDING WATER

- 1. Directly after your hot water unit
- 3. Inside a service panel behind removable mirror
- 2. Inside a service panel
- 4. Inside the bathroom vanity unit



— TEMPERED WATER
 — COLD WATER
 — SCOLDING WATER