

**Note:** Dimensions are nominal measurements only

## SPECIFICATIONS

### RECOMMENDED USE | WARRANTY

Domestic / Commercial | [Click here for warranty periods](#)

### MATERIAL

Stainless Steel 304

### TEMPERATURE RATING

Maximum continuous working temperature 75°C  
If the water temperature exceeds 75°C, an approved tempering valve must be fitted

### PRESSURE RATING

Recommended minimum working pressure 0.2 Bar  
Recommended maximum working pressure 5 Bar  
Hot and cold water inlet pressure should be equal

### SUITABLE HOT WATER UNITS

Storage tank: Yes  
Continuous Flow: Yes  
Gravity Feed: Suitable

### PACKAGING

Box 1 of 3 In-Wall Minimal Mixer Body SS304 (Rough-In)  
Box 2 of 3 Nesso Minimal Handle Kit (Fit-Off)  
Box 3 of 3 Nesso Wall Mounted Spout (Fit-Off)

# INSTALLATION GUIDE

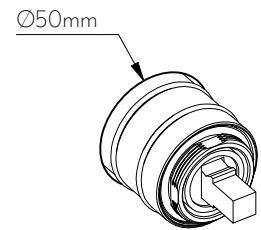
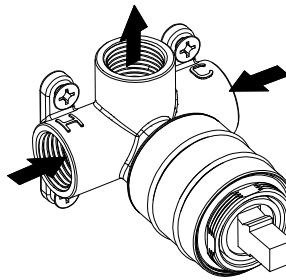
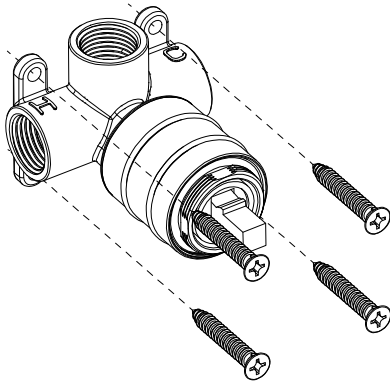
**Note:** This product must be installed by a licensed plumber. This is a general installation guide - there are many factors involved that can alter the installation method. **AU/NZ:** For installations within Australia and New Zealand, this product must be installed in compliance with AS/NZS 3500. **UK:** For installations in the United Kingdom this product must be installed in compliance with the Water Supply (Water Fittings) Regulations and Water Supply (Water Fittings) (Scotland) Byelaws. **Other:** For installations outside these countries, this product must be installed in compliance with the standards in your respective country.



## ROUGH IN

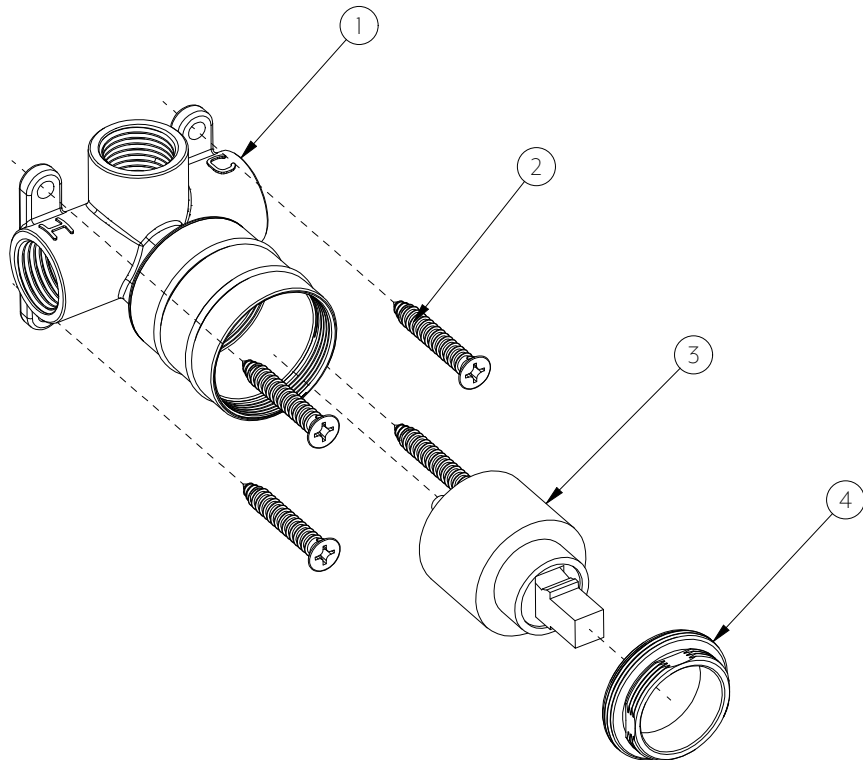
See specification image for finish wall setback

- 1 Screw in-wall body into wall structure with provided screws.
- 2 Connect hot, cold and mixed lines. **TEST AND CHECK FOR LEAKS.**
- 3 Sheeting and waterproof layer can now be applied. \*Ensure cutout in finish wall is  $\varnothing 50\text{mm}$ .



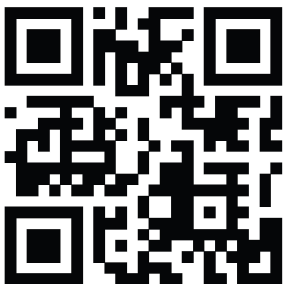
## WHAT'S IN THE BOX

1. Body
2. Fixing screws
3. Cartridge
4. Locking nut



## SCAN QR

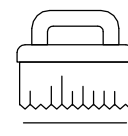
Tile cutout guides for compatible handle kits



Regularly clean with mild liquid detergent or soap and water



DO NOT use cream cleaners or bleach. These substances are abrasive



DO NOT use cleaning pads with abrasive surfaces as this may scratch the material

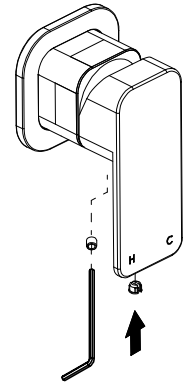
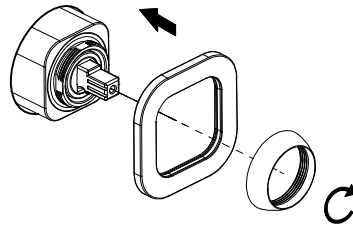
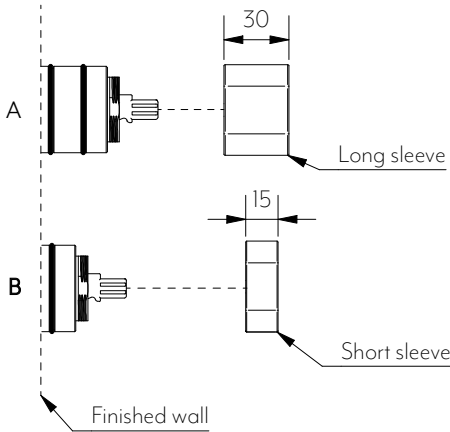
# INSTALLATION GUIDE

**Note:** This product must be installed by a licensed plumber. This is a general installation guide - there are many factors involved that can alter the installation method. **AU/NZ:** For installations within Australia and New Zealand, this product must be installed in compliance with AS/NZS 3500. **UK:** For installations in the United Kingdom this product must be installed in compliance with the Water Supply (Water Fittings) Regulations and Water Supply (Water Fittings) (Scotland) Byelaws. **Other:** For installations outside these countries, this product must be installed in compliance with the standards in your respective country.

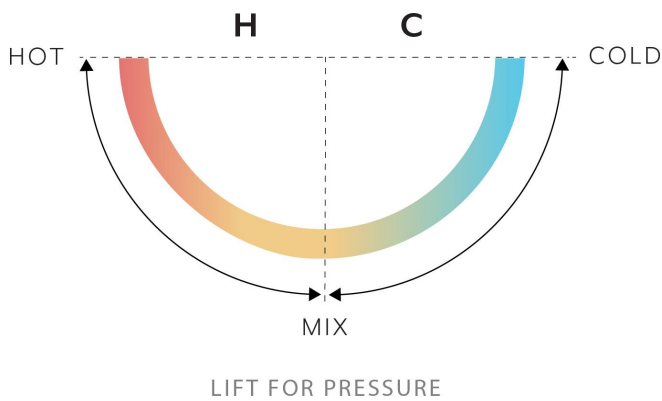


**NOTE:** See Minimal Mixer Body installation guide for in-wall set out.

- 1 Choose sleeve based on how far your in-wall body protrudes from finish wall and slide on.
- 2 Slide back plate on. Screw dome on.
- 3 Tighten grub screw with allen key. Replace grub screw cap.

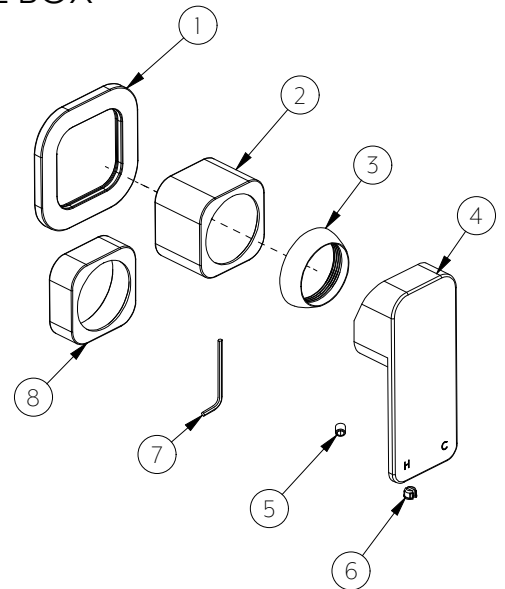


## MIXER OPERATION



## WHAT'S IN THE BOX

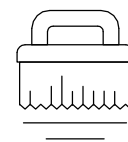
1. Back plate
2. Long sleeve
3. Dome
4. Handle
5. Grub screw
6. Grubs screw cap
7. Allen key
8. Short sleeve



Regularly clean with mild liquid detergent or soap and water



DO NOT use cream cleaners or bleach. These substances are abrasive



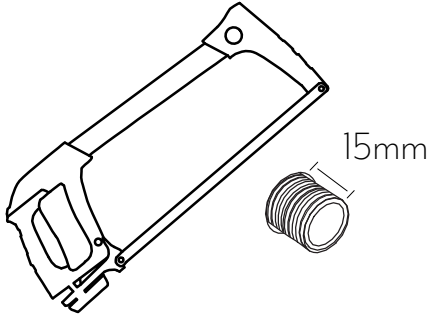
DO NOT use cleaning pads with abrasive surfaces as this may scratch the material

# INSTALLATION GUIDE

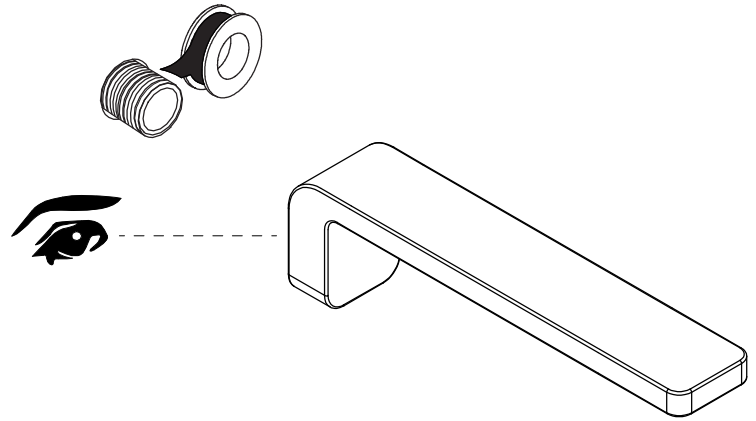
**Note:** This product must be installed by a licensed plumber. This is a general installation guide - there are many factors involved that can alter the installation method. **AU/NZ:** For installations within Australia and New Zealand, this product must be installed in compliance with AS/NZS 3500. **UK:** For installations in the United Kingdom this product must be installed in compliance with the Water Supply (Water Fittings) Regulations and Water Supply (Water Fittings) (Scotland) Byelaws. **Other:** For installations outside these countries, this product must be installed in compliance with the standards in your respective country.



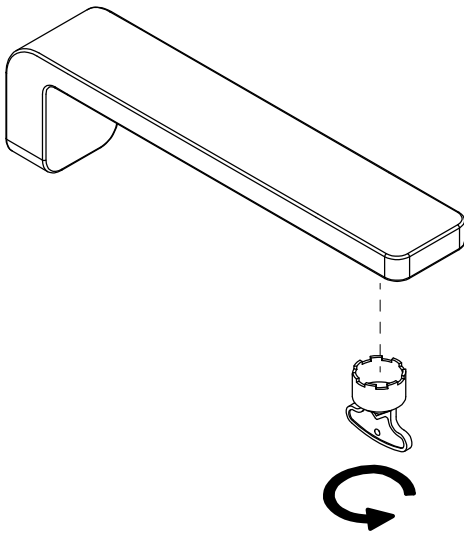
- ① Use a hack saw and trim wall outlet so that a maximum of 15mm protrudes from wall finish.



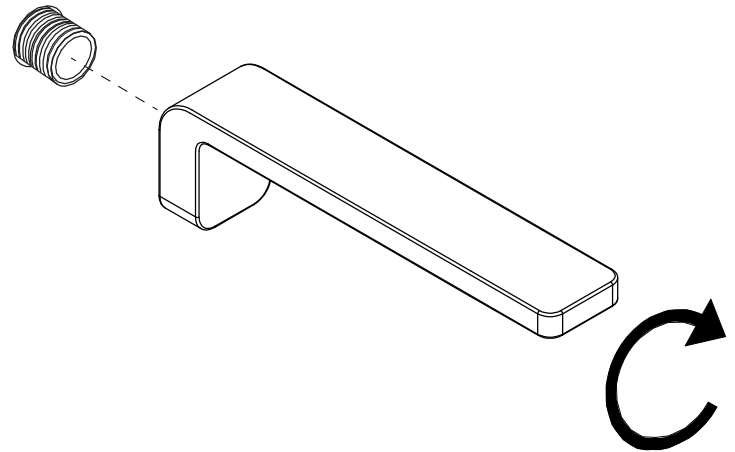
- ② Ensure rubber o-ring is correctly recessed into the back of spout. Apply thread tape to G 1/2 water outlet.



- ③ Use aerator tool to tighten aerator so that it cannot be removed by hand.

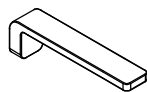


- ④ Install spout onto water outlet. \*To ensure level installation apply sufficient thread tape to outlet.



## IN THE BOX

1 x Wall mounted spout



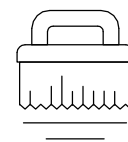
1 x Aerator tool



Regularly clean with mild liquid detergent or soap and water



DO NOT use cream cleaners or bleach. These substances are abrasive



DO NOT use cleaning pads with abrasive surfaces as this may scratch the material