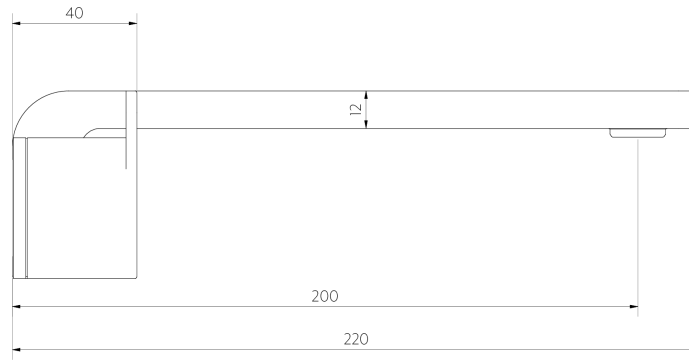


Front View



Side View

**Note:** Dimensions are nominal measurements only

## SPECIFICATIONS

### RECOMMENDED USE | WARRANTY

Domestic / Commercial | [Click here for warranty periods](#)

### MATERIAL

Stainless Steel 304

### TEMPERATURE RATING

Maximum continuous working temperature 75°C  
If the water temperature exceeds 75°C, an approved tempering valve must be fitted

### PRESSURE RATING

Recommended minimum working pressure 0.2 Bar  
Recommended maximum working pressure 5 Bar  
Hot and cold water inlet pressure should be equal

### SUITABLE HOT WATER UNITS

Storage tank: Yes  
Continuous Flow: Yes  
Gravity Feed: Suitable

### PACKAGING

Box 1 of 3 Assembly Tap Spindles (Rough-In)  
Box 2 of 3 Nesso Assembly Handle Kit (Fit-Off)  
Box 3 of 3 Nesso Wall Mounted Spout (Fit-Off)

# INSTALLATION GUIDE

**Note:** This product must be installed by a licensed plumber. This is a general installation guide - there are many factors involved that can alter the installation method. **AU/NZ:** For installations within Australia and New Zealand, this product must be installed in compliance with AS/NZS 3500. **UK:** For installations in the United Kingdom this product must be installed in compliance with the Water Supply (Water Fittings) Regulations and Water Supply (Water Fittings) (Scotland) Byelaws. **Other:** For installations outside these countries, this product must be installed in compliance with the standards in your respective country.

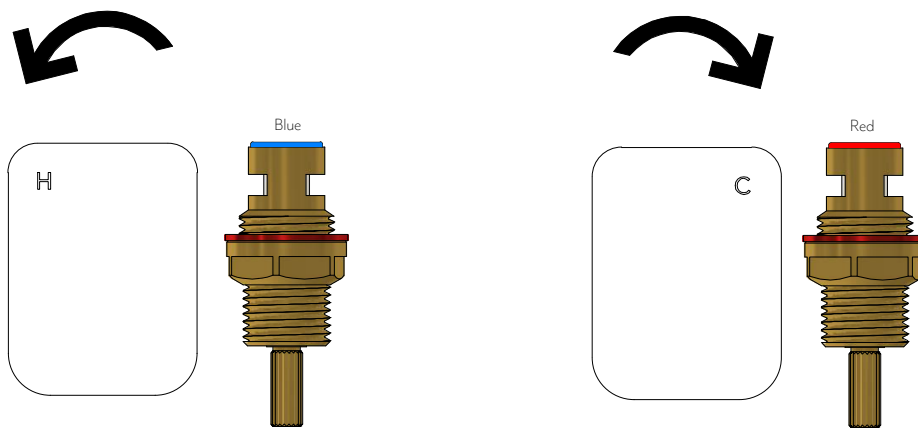


## OPERATION

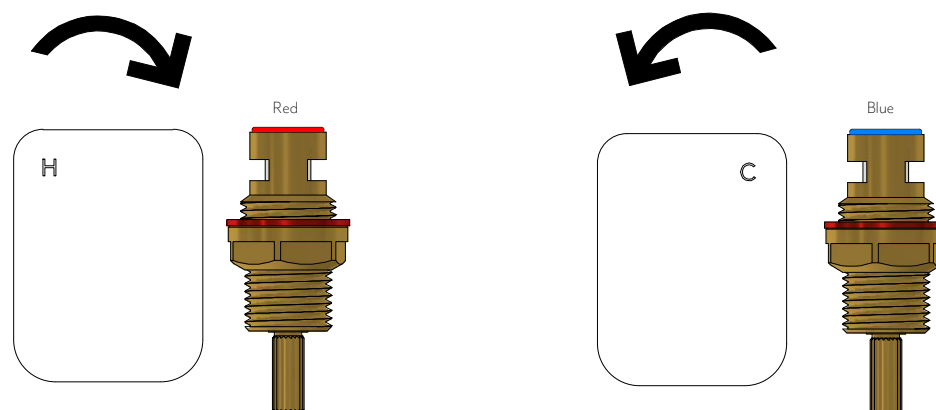
Before installing your spindles and assembly taps it is important to decide the orientation in which you would like your taps to turn on. Below the arrow indicates the direction the tap will turn 90 degrees to the ON position.

ABI standard spindles sets come with a Blue or a Red silicone rubber at the base.

Use the graphics below to decide which side to install the red and blue spindles into the breach for your desired orientation. Ensure to make your plumber aware of your decision before rough in stage begins.



Each handle turns outwards from the vertical position



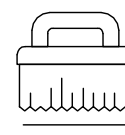
Each handle turns inwards from the vertical position



Regularly clean with mild liquid detergent or soap and water



DO NOT use cream cleaners or bleach. These substances are abrasive



DO NOT use cleaning pads with abrasive surfaces as this may scratch the material

# INSTALLATION GUIDE

**Note:** This product must be installed by a licensed plumber. This is a general installation guide - there are many factors involved that can alter the installation method. **AU/NZ:** For installations within Australia and New Zealand, this product must be installed in compliance with AS/NZS 3500. **UK:** For installations in the United Kingdom this product must be installed in compliance with the Water Supply (Water Fittings) Regulations and Water Supply (Water Fittings) (Scotland) Byelaws. **Other:** For installations outside these countries, this product must be installed in compliance with the standards in your respective country.

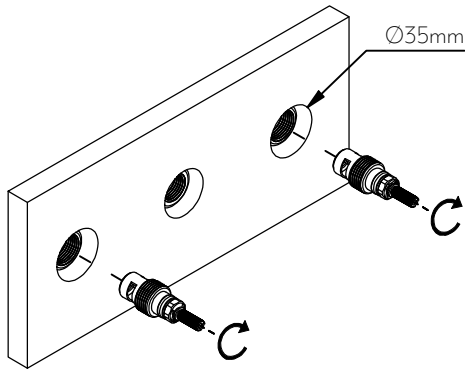


## ROUGH-IN

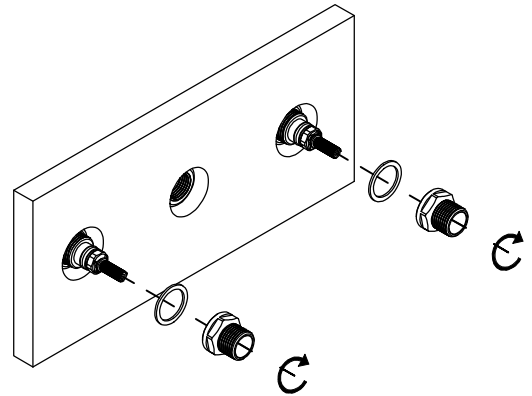
See handle kit installation guide for fit-off instructions.

**Retrofitting existing:** Remove existing tapware & reseal body seats until shiny and smooth. See setback guide for correct spindle selection for your existing breach setback.

- ① Screw spindle into breach first and tighten until rear of spindle meets the body.



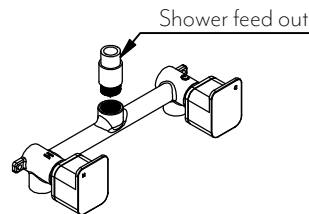
- ② Fit the fibre washer over the spindle. Screw on the locking nut and tighten with spanner. TEST AND CHECK FOR LEAKS.



**New build:** Install breach in desired position and arrangement (**Note:** breach sold separately). See following page for setback guides.

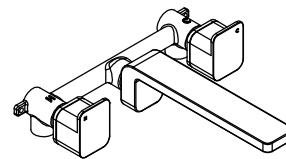
### Shower setup:

In-Wall Shower Breach available for purchase from ABI.  
Shower feed out provided by plumber.



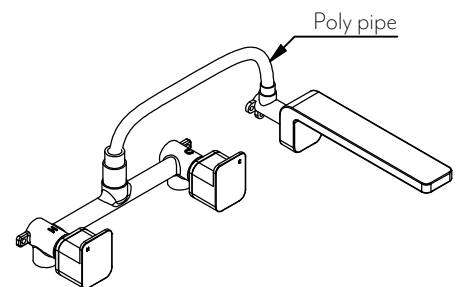
### Centered basin/bath spout setup:

In-Wall Basin/Bath Breach available for purchase from ABI.



### Offset basin/bath spout setup:

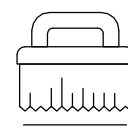
In-Wall Shower Breach available for purchase from ABI.  
Flexible poly pipe supplied by plumber.



Regularly clean with mild liquid detergent or soap and water



DO NOT use cream cleaners or bleach. These substances are abrasive



DO NOT use cleaning pads with abrasive surfaces as this may scratch the material

# INSTALLATION GUIDE

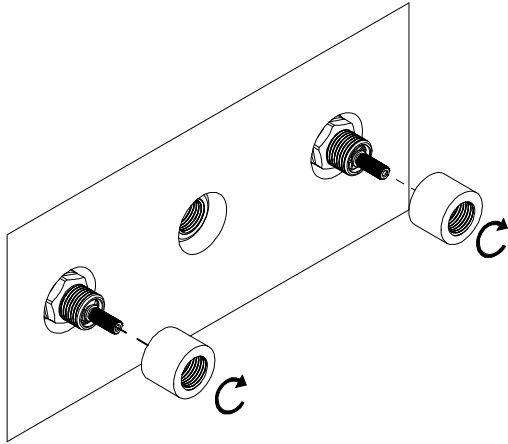
**Note:** This product must be installed by a licensed plumber. This is a general installation guide - there are many factors involved that can alter the installation method. **AU/NZ:** For installations within Australia and New Zealand, this product must be installed in compliance with AS/NZS 3500. **UK:** For installations in the United Kingdom this product must be installed in compliance with the Water Supply (Water Fittings) Regulations and Water Supply (Water Fittings) (Scotland) Byelaws. **Other:** For installations outside these countries, this product must be installed in compliance with the standards in your respective country.



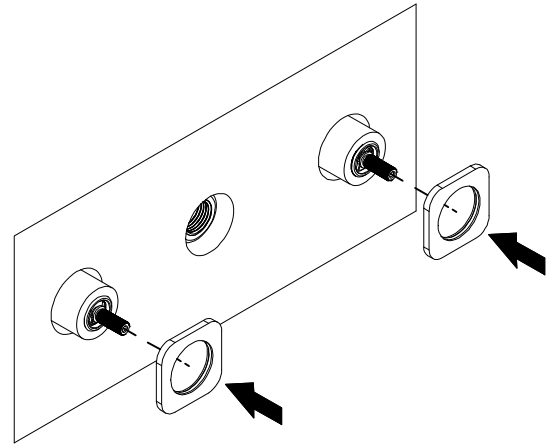
## FIT-OFF

See rough-in guides for in-wall component installation.

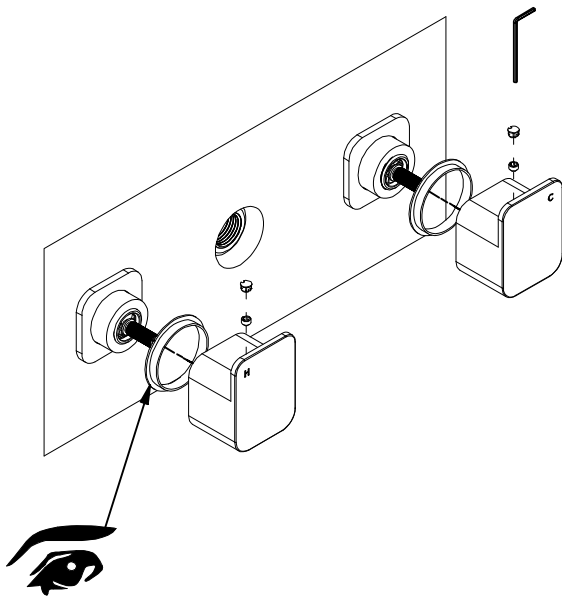
① Screw sleeves over exposed threads of each spindle.



② Slide backplate over sleeve ensuring not to scratch.



③ Install handle onto spindle by tightening grub screw with provided Allen key. Insert grub screw cap.  
**Note:** Ensure plastic collar is correctly recessed into handle.



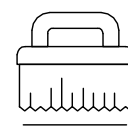
WHAT'S IN THE BOX (handle kit)	
2 x Handle	
2 x Backplate	
2 x Plastic collar	
2 x Sleeve	
2 x Grub screw cover	
2 x Grub screw	
1 x Allen key	



Regularly clean with mild liquid detergent or soap and water



DO NOT use cream cleaners or bleach. These substances are abrasive



DO NOT use cleaning pads with abrasive surfaces as this may scratch the material

# INSTALLATION GUIDE

**Note:** This product must be installed by a licensed plumber. This is a general installation guide - there are many factors involved that can alter the installation method. **AU/NZ:** For installations within Australia and New Zealand, this product must be installed in compliance with AS/NZS 3500. **UK:** For installations in the United Kingdom this product must be installed in compliance with the Water Supply (Water Fittings) Regulations and Water Supply (Water Fittings) (Scotland) Byelaws. **Other:** For installations outside these countries, this product must be installed in compliance with the standards in your respective country.

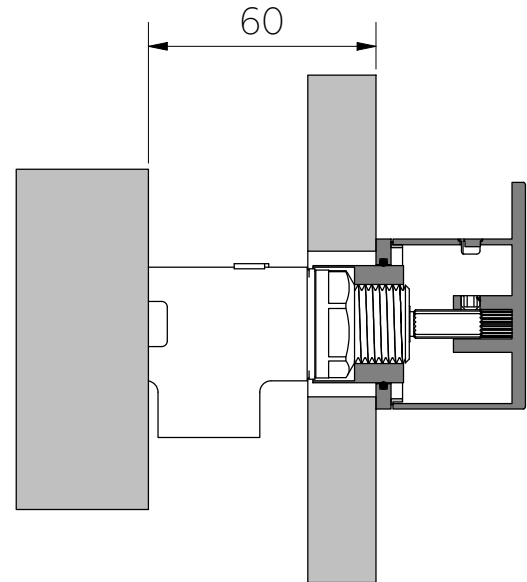
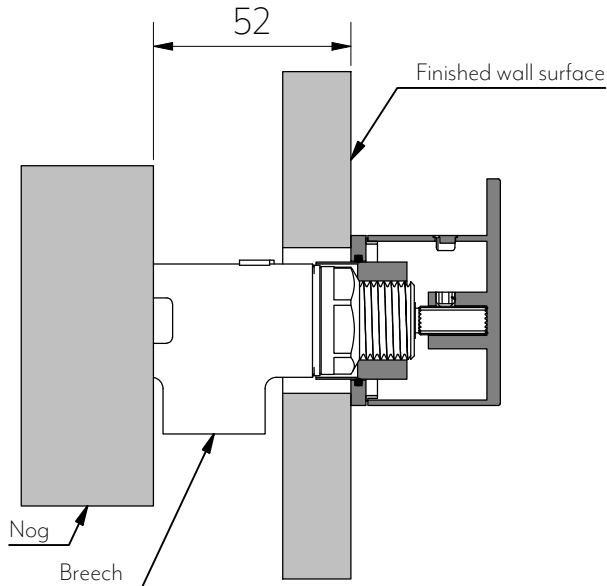


## ROUGH-IN

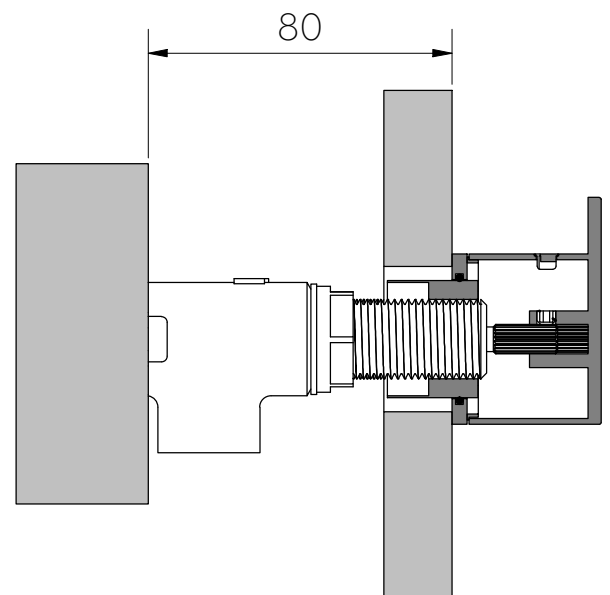
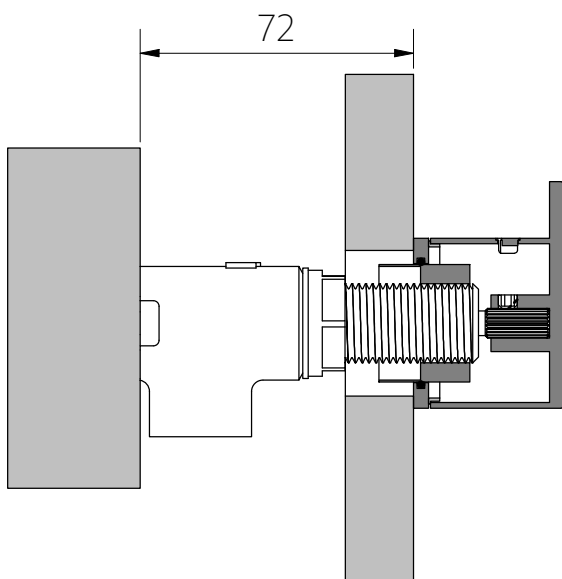
Please select from standard and extended spindle lengths at time of purchase to suit your installation needs. See handle kit installation guide for fit-off instructions.



For installations using ABI's standard spindle please ensure finished wall surface is between 52-60mm from the mounting nog.



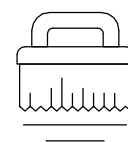
For installations using ABI's extended spindle please ensure finished wall surface is between 72-80mm from the mounting nog.



Regularly clean with mild liquid detergent or soap and water



DO NOT use cream cleaners or bleach. These substances are abrasive



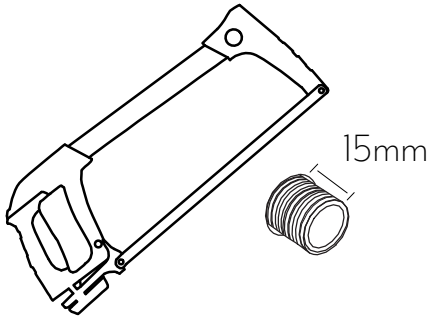
DO NOT use cleaning pads with abrasive surfaces as this may scratch the material

# INSTALLATION GUIDE

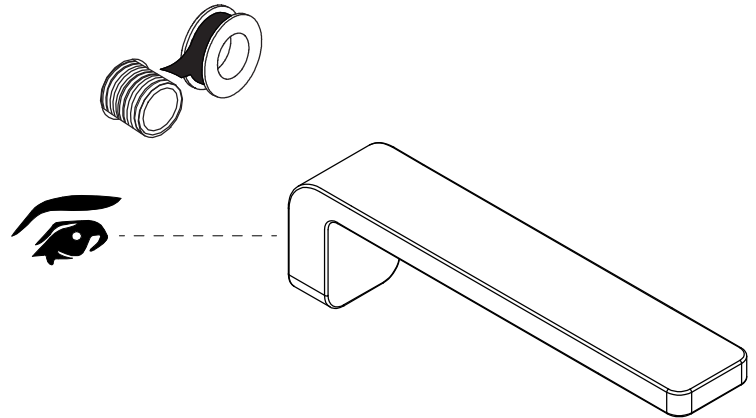
**Note:** This product must be installed by a licensed plumber. This is a general installation guide - there are many factors involved that can alter the installation method. **AU/NZ:** For installations within Australia and New Zealand, this product must be installed in compliance with AS/NZS 3500. **UK:** For installations in the United Kingdom this product must be installed in compliance with the Water Supply (Water Fittings) Regulations and Water Supply (Water Fittings) (Scotland) Byelaws. **Other:** For installations outside these countries, this product must be installed in compliance with the standards in your respective country.



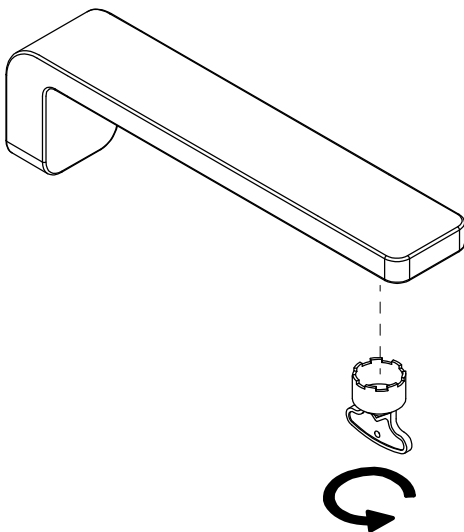
- ① Use a hack saw and trim wall outlet so that a maximum of 15mm protrudes from wall finish.



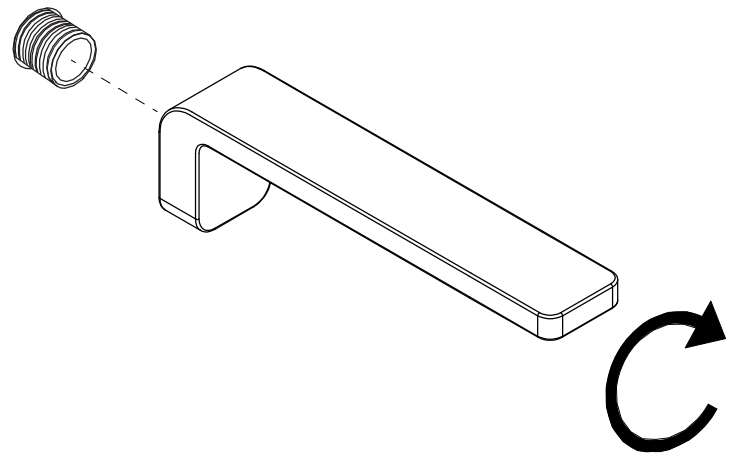
- ② Ensure rubber o-ring is correctly recessed into the back of spout. Apply thread tape to G 1/2 water outlet.



- ③ Use aerator tool to tighten aerator so that it cannot be removed by hand.

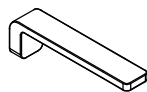


- ④ Install spout onto water outlet. \*To ensure level installation apply sufficient thread tape to outlet.



## IN THE BOX

1 x Wall mounted spout



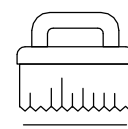
1 x Aerator tool



Regularly clean with mild liquid detergent or soap and water



DO NOT use cream cleaners or bleach. These substances are abrasive



DO NOT use cleaning pads with abrasive surfaces as this may scratch the material