

**Note: Dimensions are nominal measurements only**

## SPECIFICATIONS

### RECOMMENDED USE

Domestic

### MATERIAL

Solid Brass

### TEMPERATURE RATING

Maximum continuous working temperature 75°C  
If the water temperature exceeds 75°C, an approved tempering valve must be fitted

### PRESSURE RATING

Recommended minimum working pressure 0.2 Bar  
Recommended maximum working pressure 5 Bar  
Hot and cold water inlet pressure should be equal

### SUITABLE HOT WATER UNITS

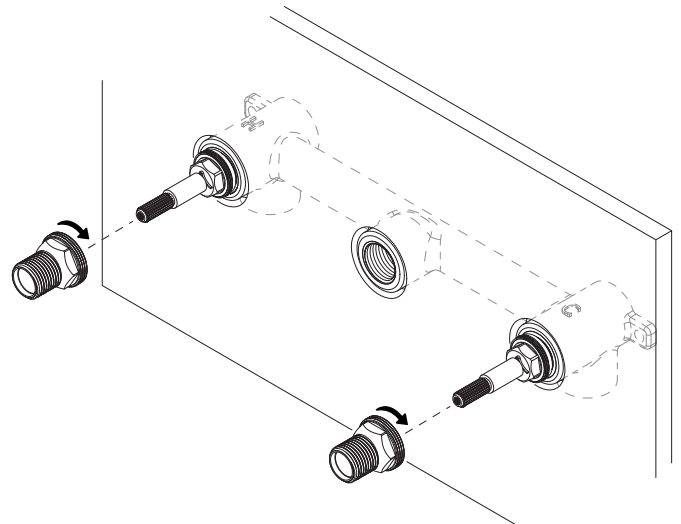
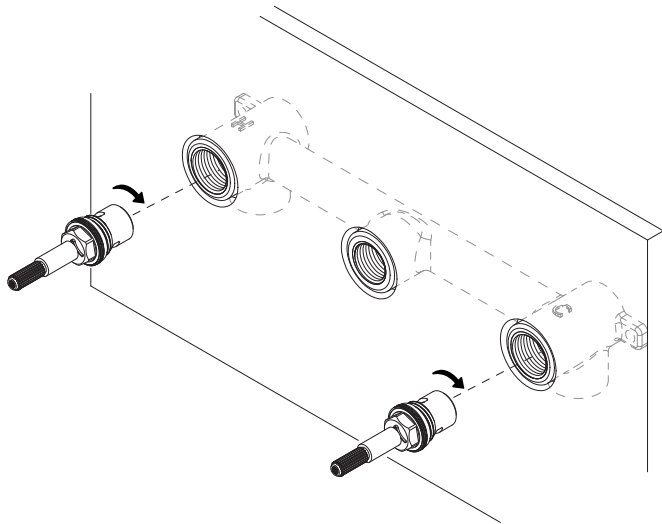
Storage tank: Yes  
Continuous Flow: Yes  
Gravity Feed: Suitable

# INSTALLATION GUIDE

**Note:** This product must be installed by a licensed plumber. This is a general installation guide - there are many factors involved that can alter the installation method. **AU/NZ:** For installations within Australia and New Zealand, this product must be installed in compliance with AS/NZS 3500. **UK:** For installations in the United Kingdom this product must be installed in compliance with the Water Supply (Water Fittings) Regulations and Water Supply (Water Fittings) (Scotland) Byelaws. **Other:** For installations outside these countries, this product must be installed in compliance with the standards in your respective country.

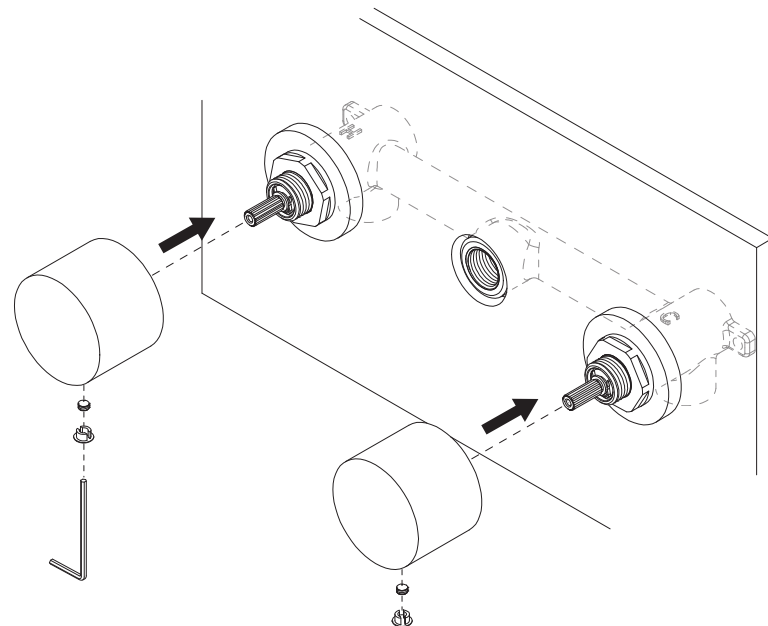
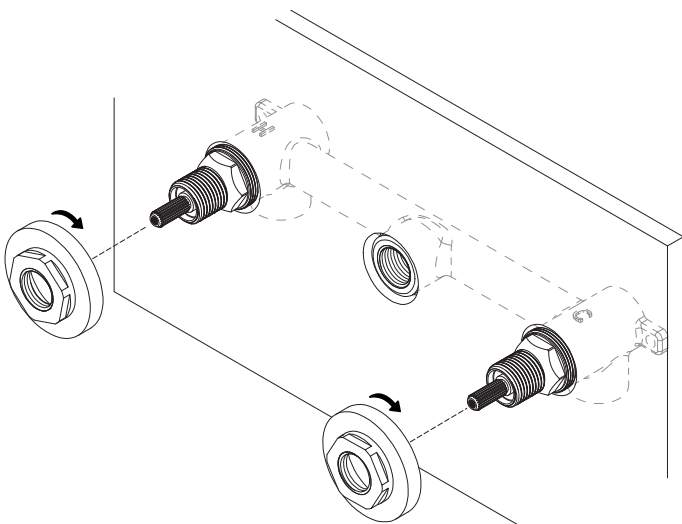


- 1 Remove locking nut from spindle. Screw spindle into breach and hand tighten until rear of spindle meets the body seat, be sure not to over tighten. If necessary apply more pressure lightly with a spanner.
- 2 Screw on the locking nut and tighten with a spanner. **TEST AND COMMISSION FOR LEAKS.**

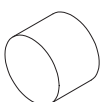


- 3 Install the handle body onto the locking nut, twisting by hand until tightened. Slide backplate over the handle body until firmly pressed against the finished wall surface.

- 4 Install the tap handle onto the spindle and tighten in place using a grub screw and Allen key.



## IN THE BOX



2x Handles



2x Backplates



2x Grub screws



2x Caps



1x Allen key