

**Note:** Dimensions are nominal measurements only

## SPECIFICATIONS

### RECOMMENDED USE

Domestic/Commercial

### MATERIAL

304 Stainless Steel

### INSTALLATION

Wall or Floor Mounted

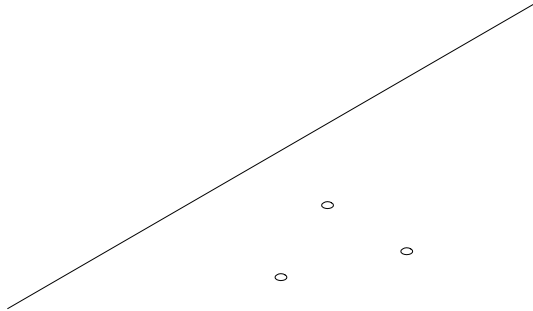
# INSTALLATION GUIDE

This product must be installed by a licensed tradesperson.

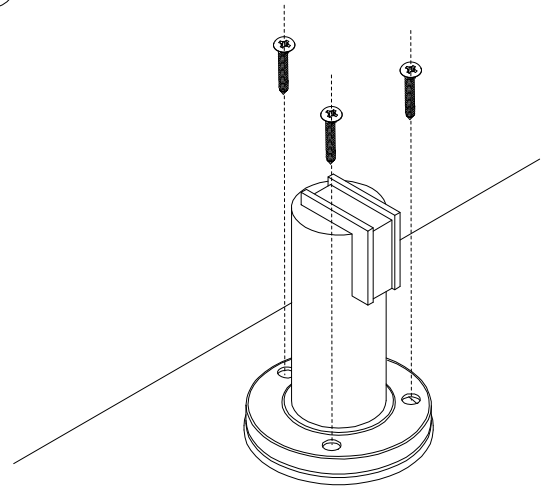
This is a general installation guide - there are many factors that are involved that can alter the installation method. This product install must comply with the standards in your respective country and must be adhered to by your licensed tradesperson.



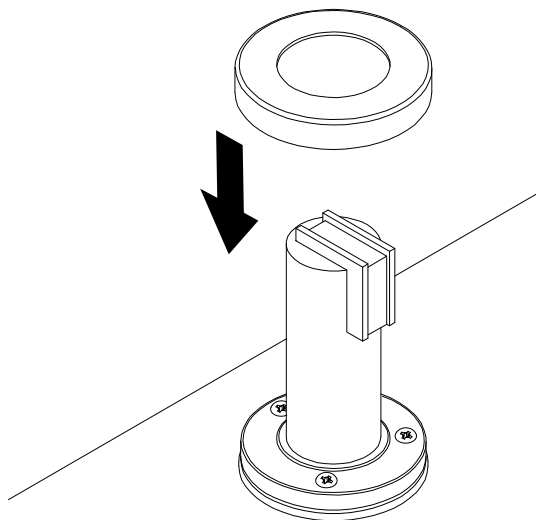
- 1 Mark out desired position for door stop in relation to door catch on door. Drill pilot holes into floor.



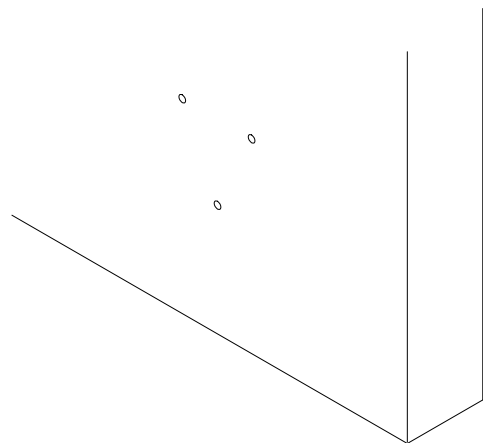
- 2 Fix stop to floor using fixings provided.



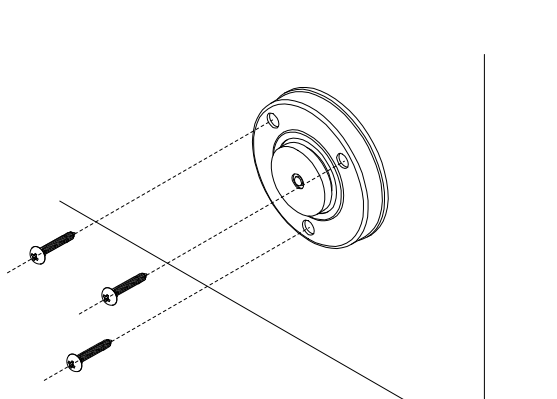
- 3 Mount backplate to door stop.



- 4 Mark out desired position for door catch in relation to door stop magnet on floor. Drill pilot holes into door.



- 5 Fix catch to door using fixings provided.

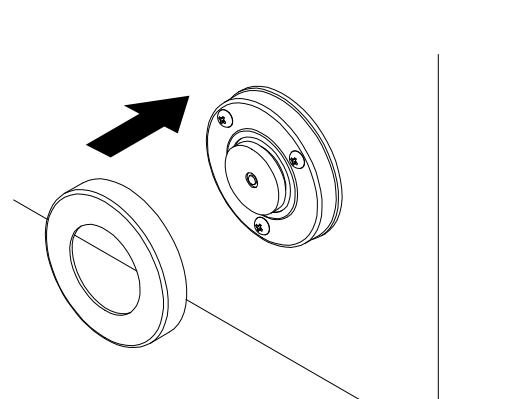


Regularly clean with mild liquid detergent or soap and water.



DO NOT use cream cleaners or bleach. These substances are abrasive.

- 6 Mount backplate to door catch.



DO NOT use cleaning pads with abrasive surfaces as this may scratch the material.