

Note: Dimensions are nominal measurements only

SPECIFICATIONS

RECOMMENDED USE

Domestic

MATERIAL

Solid Brass

TEMPERATURE RATING

Maximum continuous working temperature 75°C
If the water temperature exceeds 75°C, an approved tempering valve must be fitted

PRESSURE RATING

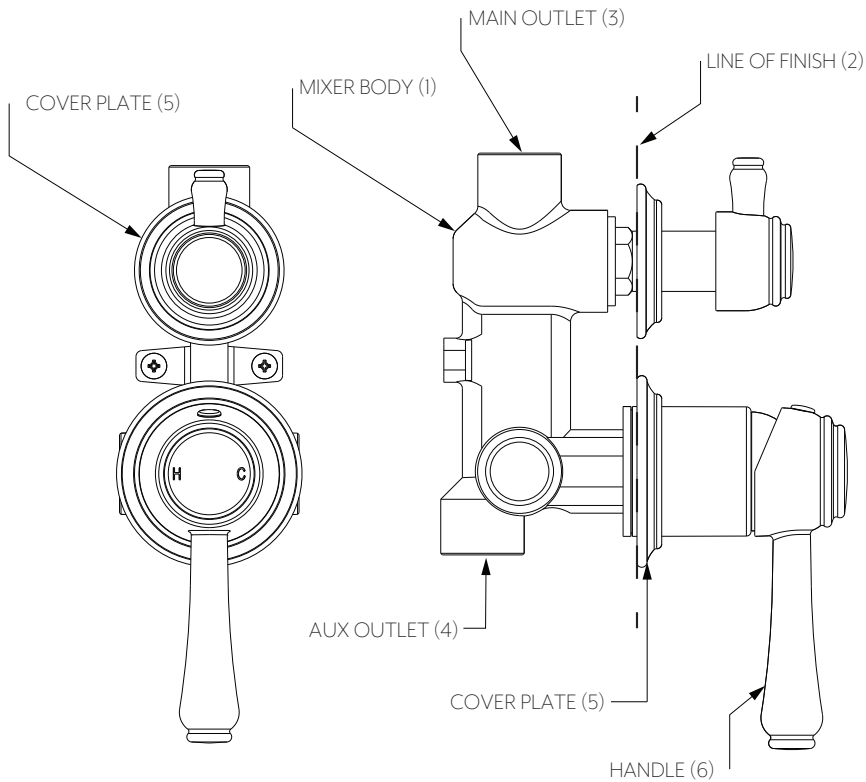
Recommended minimum working pressure 0.2 Bar
Recommended maximum working pressure 5 Bar
Hot and cold water inlet pressure should be equal

SUITABLE HOT WATER UNITS

Storage tank: Yes
Continuous Flow: Yes
Gravity Feed: Suitable

INSTALLATION GUIDE

Note: This product must be installed by a licensed plumber. This is a general installation guide - there are many factors involved that can alter the installation method. **AU/NZ:** For installations within Australia and New Zealand, this product must be installed in compliance with AS/NZS 3500. **UK:** For installations in the United Kingdom this product must be installed in compliance with the Water Supply (Water Fittings) Regulations and Water Supply (Water Fittings) (Scotland) Byelaws. **Other:** For installations outside these countries, this product must be installed in compliance with the standards in your respective country.

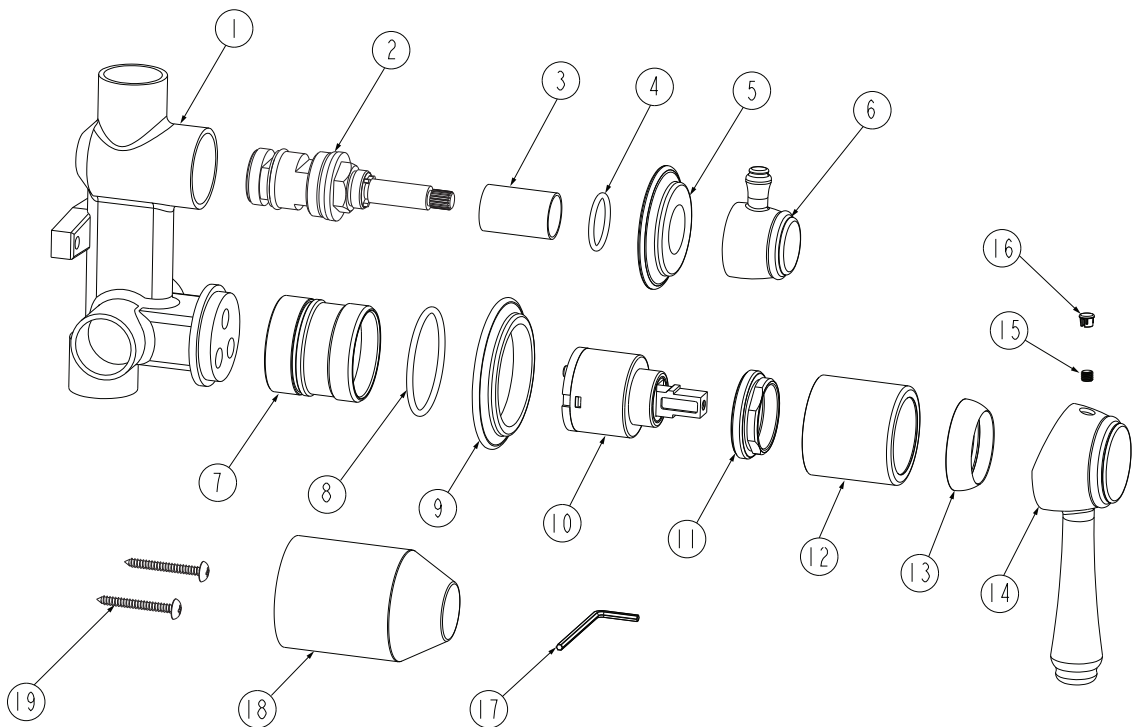


- 1 Using fixing points in mixer body (1). Fasten into place allowing for finished wall (2).
- 2 Connect hot & cold, aux outlet (4) & main outlet (3), test with pressure. The main outlet (3) will be the default outlet when water is first turned on (For example if water is to come out of the rain shower head by default the line of this fixture should be connected to main outlet).
- 3 When installing wall sheeting ensure hole cutout size does not exceed the coverplate (5) coverage area - Ensure all entry points around mixer body are sealed to prevent water entry.
- 4 Once wall sheeting is completed, slide the cover plate hard back to wall, fit handle (6) and tighten grub screw on handle using supplied allen key.

EXPLODED VIEW

Item Description Code

- 1 Body
- 2 Diverter Cartridge
- 3 Diverter Sleeve
- 4 O-Ring
- 5 Diverter Backplate
- 6 Diverter Handle
- 7 Connector Sleeve
- 8 O-Ring
- 9 Back Plate
- 10 Cartridge
- 11 Locking Nut
- 12 Body Sleeve
- 13 Dome
- 14 Handle
- 15-16 Grub screw+Cover
- 17 Allen Key
- 18 Protective Case
- 21 Fixing Screws



Regularly clean with mild liquid detergent or soap and water



DO NOT use cream cleaners or bleach. These substances are abrasive



DO NOT use cleaning pads with abrasive surfaces as this may scratch the material