

**Note:** Dimensions are nominal measurements only

## SPECIFICATIONS

### RECOMMENDED USE

Domestic/Commercial

### MATERIAL

Solid Brass

### TEMPERATURE RATING

Maximum continuous working temperature 75°C  
If the water temperature exceeds 75°C, an approved tempering valve must be fitted

### PRESSURE RATING

Recommended minimum working pressure 0.2 Bar  
Recommended maximum working pressure 5 Bar  
Hot and cold water inlet pressure should be equal

### SUITABLE HOT WATER UNITS

Storage tank: Yes  
Continuous Flow: Yes  
Gravity Feed: Suitable

### WATER EFFICIENCY

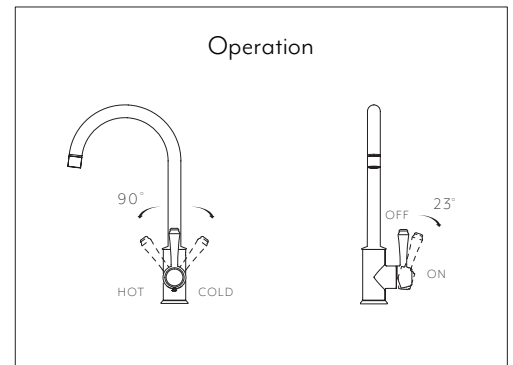
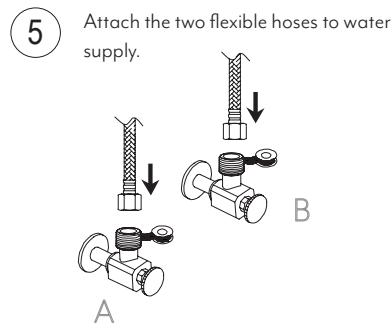
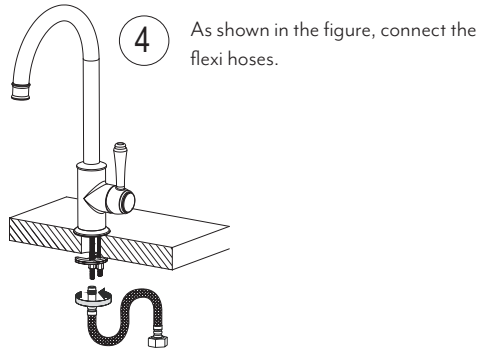
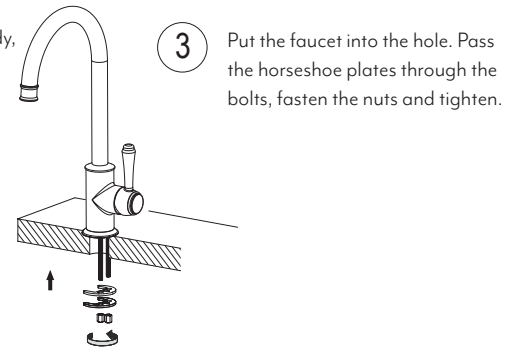
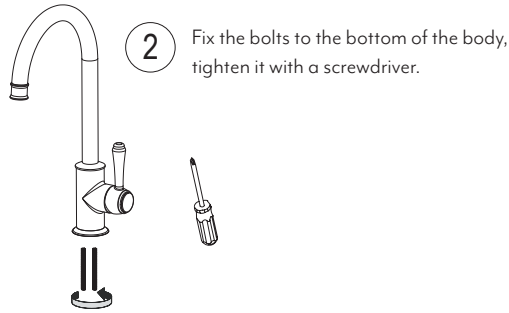
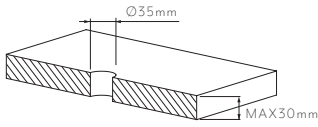
Flow Rate 6L/min

# INSTALLATION GUIDE



**Note:** This product must be installed by a licensed plumber. This is a general installation guide - there are many factors involved that can alter the installation method. **AU/NZ:** For installations within Australia and New Zealand, this product must be installed in compliance with AS/NZS 3500. **UK:** For installations in the United Kingdom this product must be installed in compliance with the Water Supply (Water Fittings) Regulations and Water Supply (Water Fittings) (Scotland) Byelaws. **Other:** For installations outside these countries, this product must be installed in compliance with the standards in your respective country.

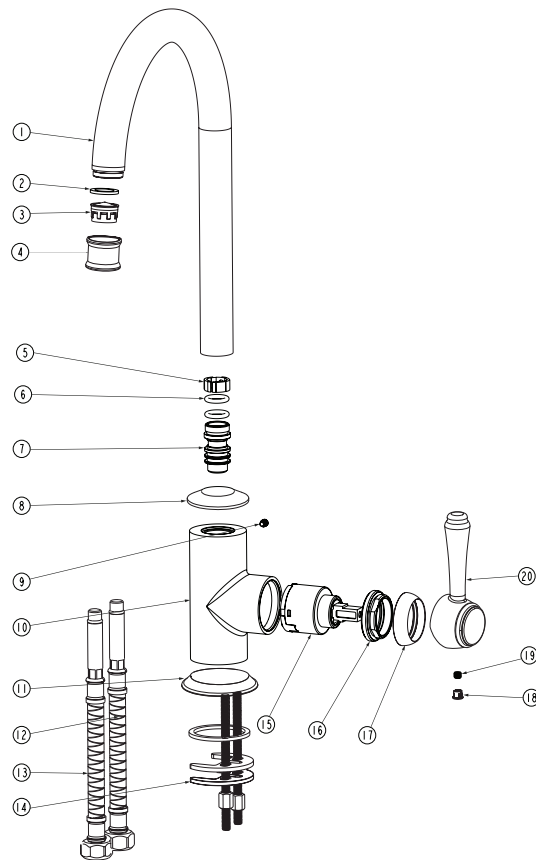
1 The hole dimension as 35mm.



## EXPLODED VIEW

Item Description Code

- 1 Spout
- 2 Rubber O-Ring
- 3 Aerator
- 4 Spout tip
- 5-7 Outlet & Connections
- 8 Dress Ring
- 9 Grub Screw
- 10 Body
- 11 Dress Ring
- 12-13 Flexible Hoses
- 14 Horse Shoe Plate
- 15 Cartridge
- 16 Locking Nut
- 17 Dome
- 18 Cap
- 19 Grub Screw
- 20 Handle



Regularly clean with mild liquid detergent or soap and water.



DO NOT use cream cleaners or bleach. These substances are abrasive.



DO NOT use cleaning pads with abrasive surfaces as this may scratch the material.