

Note: Dimensions are nominal measurements only

SPECIFICATIONS

RECOMMENDED USE | WARRANTY

Domestic / Commercial | [Click here for warranty periods](#)

MATERIAL

Stainless Steel 304

TEMPERATURE RATING

Maximum continuous working temperature 75°C
If the water temperature exceeds 75°C, an approved tempering valve must be fitted

PRESSURE RATING

Recommended minimum working pressure 0.5 Bar
Recommended maximum working pressure 5 Bar
Hot and cold water inlet pressure should be equal

SUITABLE HOT WATER UNITS

Storage tank: Yes
Continuous Flow: Yes
Gravity Feed: Suitable

INSTALLATION GUIDE

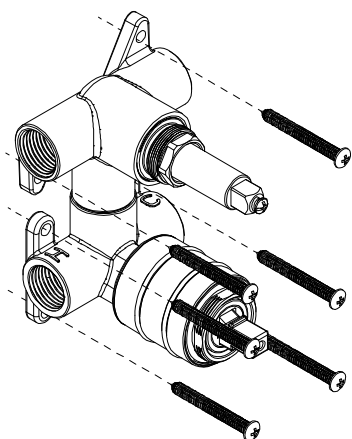
Note: This product must be installed by a licensed plumber. This is a general installation guide - there are many factors involved that can alter the installation method. **AU/NZ:** For installations within Australia and New Zealand, this product must be installed in compliance with AS/NZS 3500. **UK:** For installations in the United Kingdom this product must be installed in compliance with the Water Supply (Water Fittings) Regulations and Water Supply (Water Fittings) (Scotland) Byelaws. **Other:** For installations outside these countries, this product must be installed in compliance with the standards in your respective country.



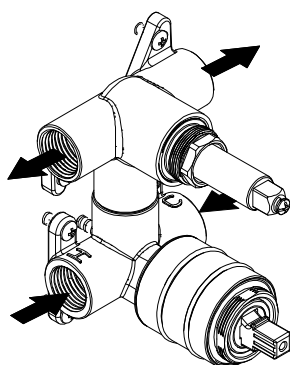
ROUGH IN

See specification image for finish wall setback

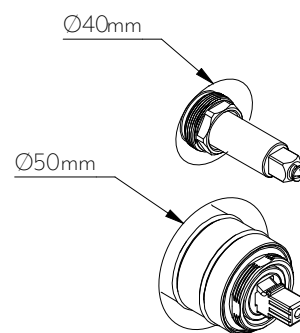
① Screw in-wall body into wall structure with provided screws.



② ***NOTE:** Two locking nuts are included in packaging. Please ensure correct one is installed for the chosen range of tapware prior to connecting water supply. Connect hot, cold and both mixed lines. **TEST AND CHECK FOR LEAKS.**

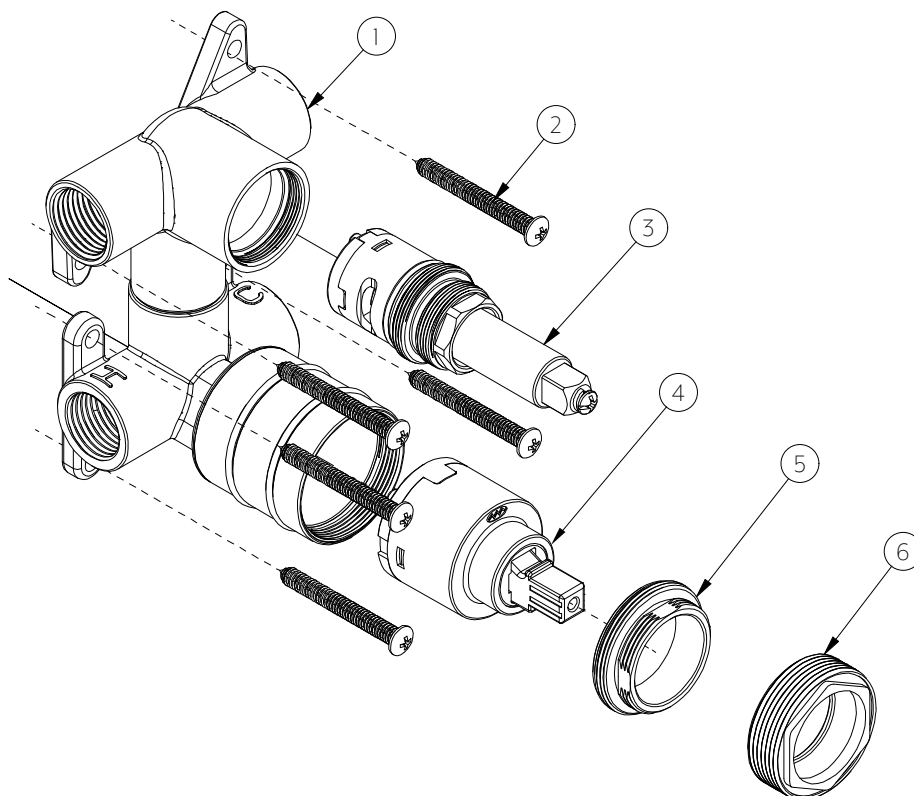


③ Sheetting and waterproof layer can now be applied. ***Ensure cutout in finish wall is Ø50mm for the mixer handle and Ø35mm for the diverter.**



WHAT'S IN THE BOX

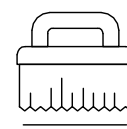
1. Body
2. Fixing screws (x6)
3. Diverter cartridge
4. Mixer cartridge
5. Locking nut (NESSO)
6. Locking nut (SOLA & ALIRO)



Regularly clean with mild liquid detergent or soap and water



DO NOT use cream cleaners or bleach. These substances are abrasive



DO NOT use cleaning pads with abrasive surfaces as this may scratch the material