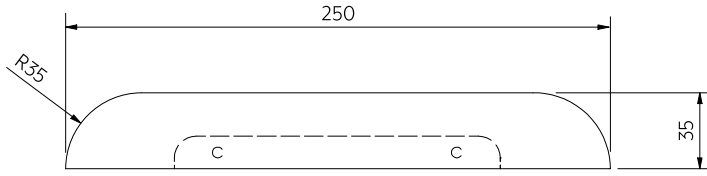
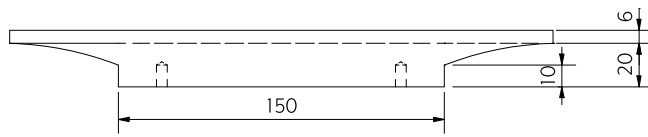


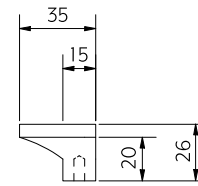
HEGMAN KURVE PULL 250MM (PAIR)



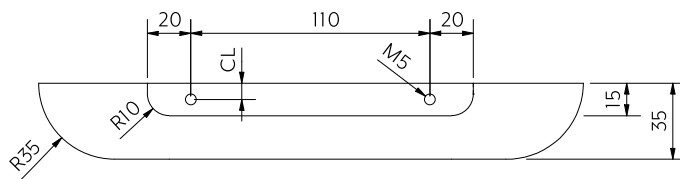
TOP VIEW



SIDE VIEW



SIDE VIEW



BOTTOM VIEW

Note: Dimensions are nominal measurements only

SPECIFICATIONS

RECOMMENDED USE

Domestic

MATERIAL

Ash Wood

MOUNTING HARDWARE INCLUDED

Yes 2x M4 25mm Fixing Screw

MOUNTS FROM

Front

FIXING DISTANCE

154mm (centre to centre)

INSTALLATION GUIDE

This product must be installed by a licensed tradesperson.

This is a general installation guide - there are many factors that are involved that can alter the installation method. This product install must comply with the standards in your respective country and must be adhered to by your licensed tradesperson.

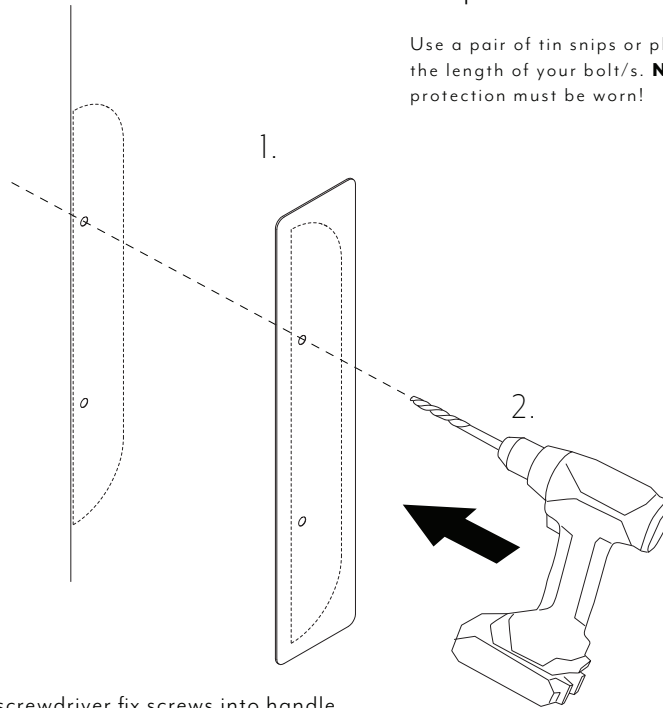


1

1. Using the template provided mark out the desired position for handle on both sides of door/drawer panel.

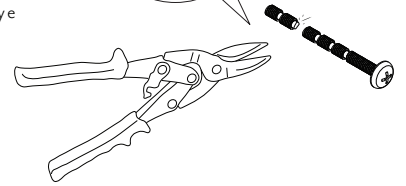
2. Drill prescribed holes through door/drawer panel for handle fixings.

Note: Gauge drill bit using hole sizes in template.



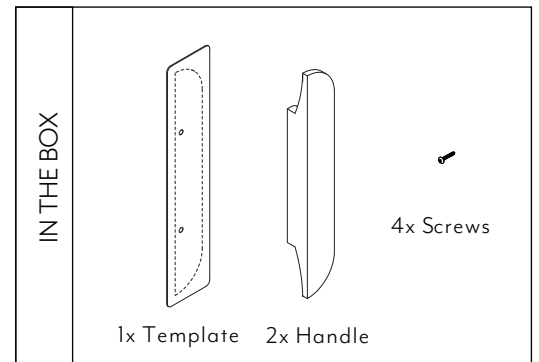
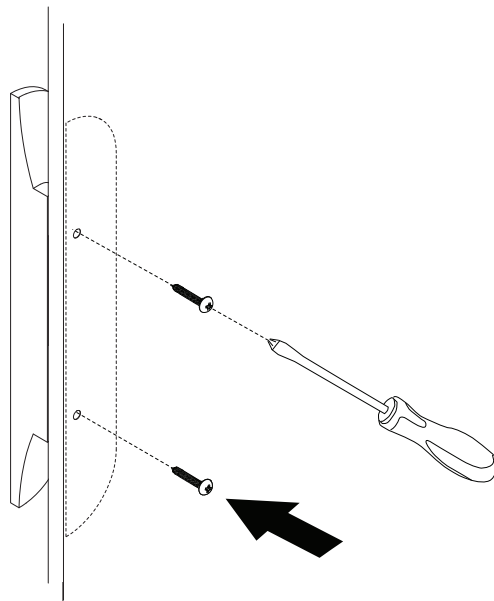
Snap Off Bolts

Use a pair of tin snips or pliers to adjust the length of your bolt/s. **Note:** Eye protection must be worn!



2

Using a Phillips head screwdriver fix screws into handle.



Regularly clean with mild liquid detergent or soap and water.



DO NOT use cream cleaners or bleach. These substances are abrasive.



DO NOT use cleaning pads with abrasive surfaces as this may scratch the material.