

Note: Dimensions are nominal measurements only

SPECIFICATIONS

RECOMMENDED USE

Domestic

MATERIAL

Solid Brass

TEMPERATURE RATING

Maximum continuous working temperature 75°C
If the water temperature exceeds 75°C, an approved tempering valve must be fitted

PRESSURE RATING

Recommended minimum working pressure 0.2 Bar
Recommended maximum working pressure 5 Bar
Hot and cold water inlet pressure should be equal

SUITABLE HOT WATER UNITS

Storage tank: Yes
Continuous Flow: Yes
Gravity Feed: Suitable

INSTALLATION GUIDE

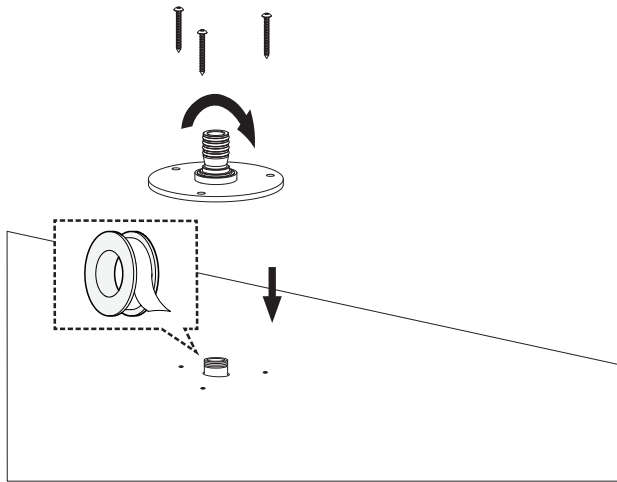
Note: This product must be installed by a licensed plumber. This is a general installation guide - there are many factors involved that can alter the installation method. **AU/NZ:** For installations within Australia and New Zealand, this product must be installed in compliance with AS/NZS 3500. **UK:** For installations in the United Kingdom this product must be installed in compliance with the Water Supply (Water Fittings) Regulations and Water Supply (Water Fittings) (Scotland) Byelaws. **Other:** For installations outside these countries, this product must be installed in compliance with the standards in your respective country.



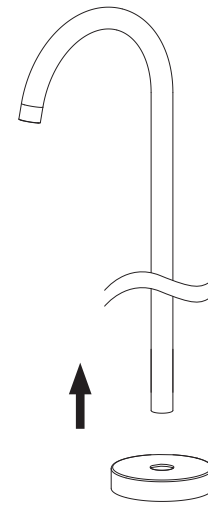
- 1 When installing into a solid concrete floor, a chase will need to be cut out of the concrete to rough in the supply pipe. Rough in to spout outlet with a 1/2" Brass thread and cap off until fit-off.

- 2 When the finished floor is complete - cut the brass thread to desired height. Remove the brass fitting and bracket from the spout using supplied allen key.

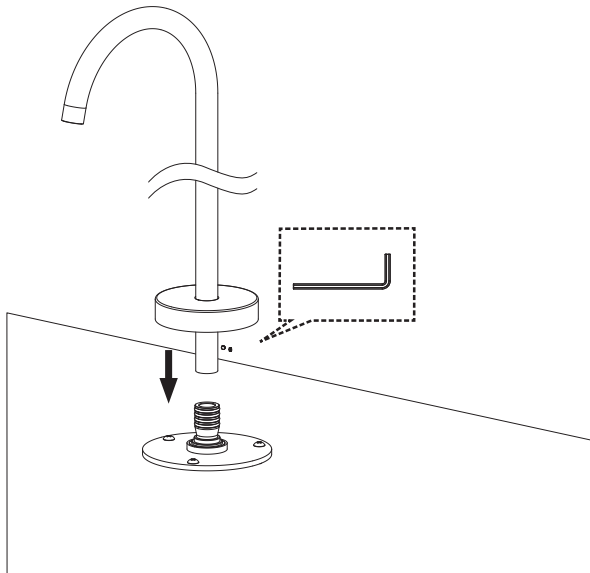
- 3 Fix bracket to the finished floor firmly using appropriate fixings



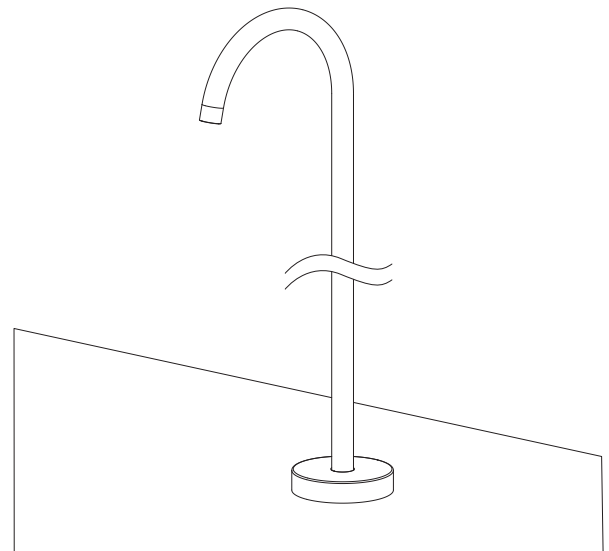
- 4 Slide the cover plate onto the spout



- 5 Push the spout onto the base plate and tighten the grub screws



- 6 Turn on the water supply to test for leaks. Push the base plate to the ground



Regularly clean with mild liquid detergent or soap and water.



DO NOT use cream cleaners or bleach. These substances are abrasive.



DO NOT use cleaning pads with abrasive surfaces as this may scratch the material.