

**Note:** Top or bottom diverter compatible

**Note:** Dimensions are nominal measurements only

## SPECIFICATIONS

### RECOMMENDED USE

Domestic

### MATERIAL

Solid Brass

### TEMPERATURE RATING

Maximum continuous working temperature 75°C  
If the water temperature exceeds 75°C, an approved tempering valve must be fitted

### PRESSURE RATING

Recommended minimum working pressure 0.2 Bar  
Recommended maximum working pressure 5 Bar  
Hot and cold water inlet pressure should be equal

### SUITABLE HOT WATER UNITS

Storage tank: Yes  
Continuous Flow: Yes  
Gravity Feed: Suitable

### WATER EFFICIENCY

Overhead Shower: Flow Rate 8L/min, Hand Shower: Flow Rate 7L/min

# INSTALLATION GUIDE

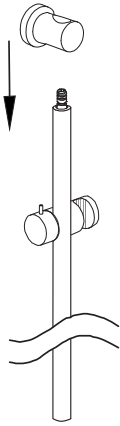
**Note:** This product must be installed by a licensed plumber. This is a general installation guide - there are many factors involved that can alter the installation method. **AU/NZ:** For installations within Australia and New Zealand, this product must be installed in compliance with AS/NZS 3500. **UK:** For installations in the United Kingdom this product must be installed in compliance with the Water Supply (Water Fittings) Regulations and Water Supply (Water Fittings) (Scotland) Byelaws. **Other:** For installations outside these countries, this product must be installed in compliance with the standards in your respective country.



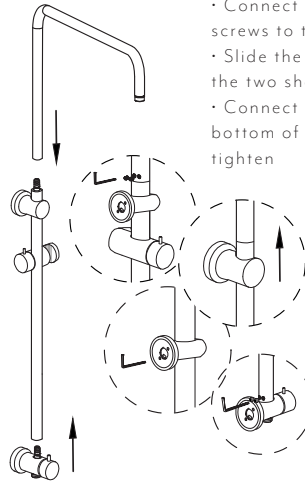
## BOTTOM DIVERTER INSTALLATION

The hand held has more range to move when the diverter is installed at the bottom of the rail, compared to installation at the top

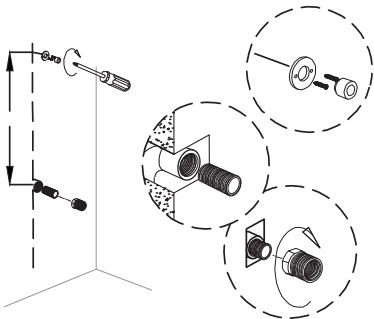
- 1 Install the slider and wall base onto the shower rail



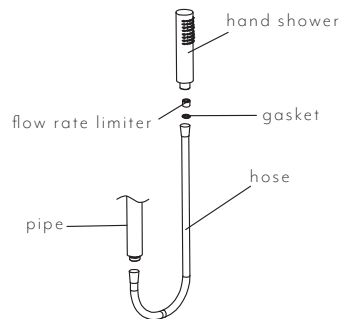
- 2
- Connect the shower rails using grub screws to tighten.
  - Slide the wall base to cover the join of the two shower rails
  - Connect the diverter component to the bottom of the rail using grub screws to tighten



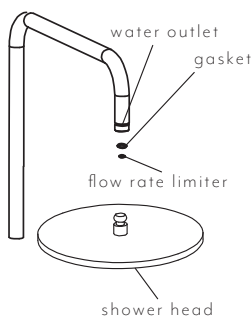
- 3
- Screw the 1/2inch BP adaptor to the BP
  - Apply teflon tape to the adaptor
  - Place expander screw into the hole. Fix to bracket



- 4 Before installing the hand shower, open and clean the pipe. Connect hand shower with the hose and the pipe



- 5 Before installing shower head, open and clean the pipe. Put the aerator and gasket into the shower head, then connect the shower head with the water outlet. Screw the head.



- 6 Make sure each screw connection is strong. Open the drainage system and water supply, check if there's any leakage in the connections.



Regularly clean with mild liquid detergent or soap and water.



DO NOT use cream cleaners or bleach. These substances are abrasive.



DO NOT use cleaning pads with abrasive surfaces as this may scratch the material.



# INSTALLATION GUIDE

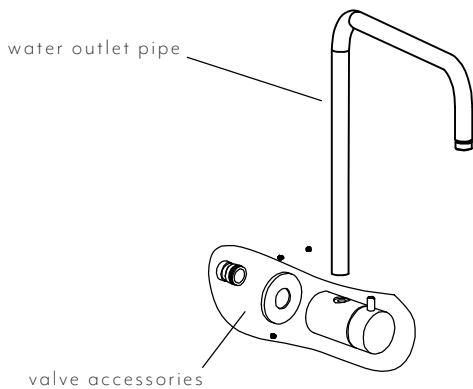
**Note:** This product must be installed by a licensed plumber. This is a general installation guide - there are many factors involved that can alter the installation method. **AU/NZ:** For installations within Australia and New Zealand, this product must be installed in compliance with AS/NZS 3500. **UK:** For installations in the United Kingdom this product must be installed in compliance with the Water Supply (Water Fittings) Regulations and Water Supply (Water Fittings) (Scotland) Byelaws. **Other:** For installations outside these countries, this product must be installed in compliance with the standards in your respective country.



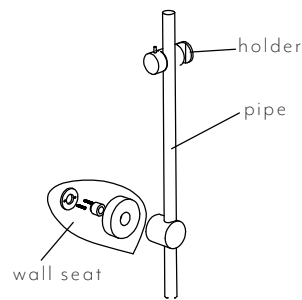
## TOP DIVERTER INSTALLATION

Please keep in mind that top diverter installation can limit the hand held movement along the rail.

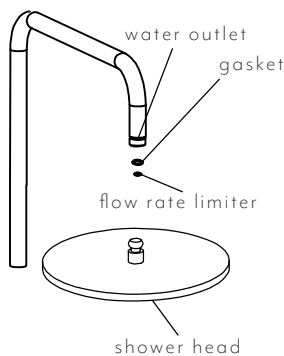
- 1 Install the valve accessories and the wall seat



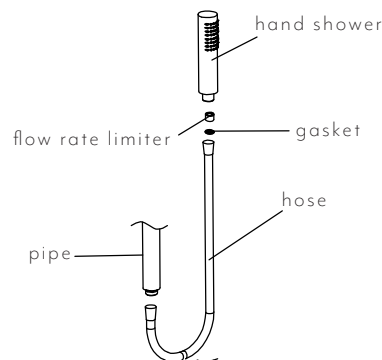
- 2 Put the straight arm into the holder, valve accessories and wall seat, use M5 screws. Install the water outlet pipe into the top.



- 3 Before installing shower head, open and clean the pipe. Put the flow rate limiter and gasket into the shower head, then connect the shower head with the water outlet. Screw the head.



- 4 Before installing the hand shower, open and clean the pipe. Connect hand shower with the hose and the pipe.



- 5 Make sure each screw connection is strong. Open the drainage system and water supply, check if there's any leakage in the connections.



Regularly clean with mild liquid detergent or soap and water.



DO NOT use cream cleaners or bleach. These substances are abrasive.



DO NOT use cleaning pads with abrasive surfaces as this may scratch the material.