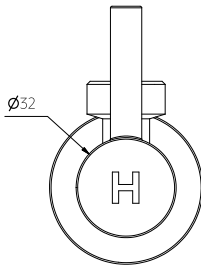
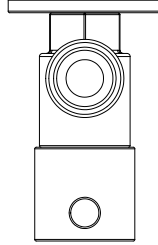
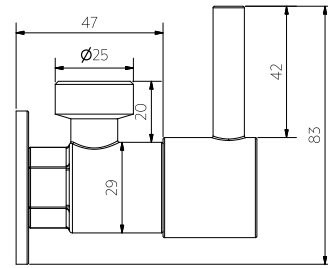
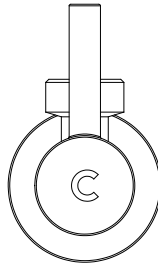


Top View



Front View



Side View

Note: Dimensions are nominal measurements only

SPECIFICATIONS

RECOMMENDED USE

Domestic

MATERIAL

Solid Brass

TEMPERATURE RATING

Maximum continuous working temperature 75°C
If the water temperature exceeds 75°C, an approved tempering valve must be fitted

PRESSURE RATING

Recommended minimum working pressure 0.2 Bar
Recommended maximum working pressure 5 Bar
Hot and cold water inlet pressure should be equal

SUITABLE HOT WATER UNITS

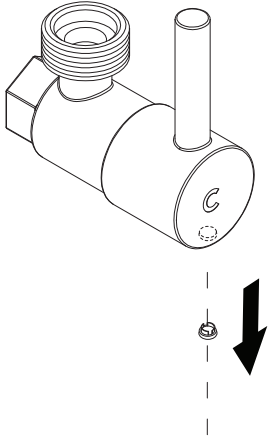
Storage tank: Yes
Continuous Flow: Yes
Gravity Feed: Suitable

INSTALLATION GUIDE - ALTERNATIVE HANDLE OPTION



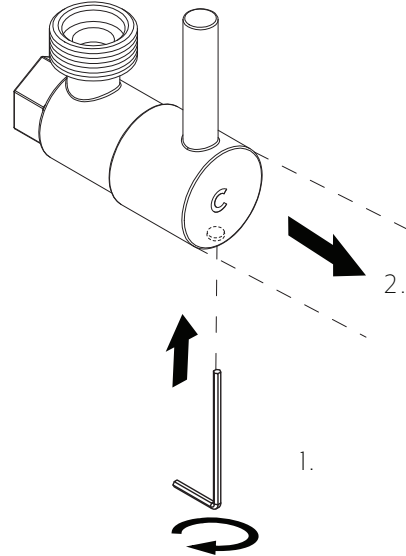
Note: This product must be installed by a licensed plumber. This is a general installation guide - there are many factors involved that can alter the installation method. **AU/NZ:** For installations within Australia and New Zealand, this product must be installed in compliance with AS/NZS 3500. **UK:** For installations in the United Kingdom this product must be installed in compliance with the Water Supply (Water Fittings) Regulations and Water Supply (Water Fittings) (Scotland) Byelaws. **Other:** For installations outside these countries, this product must be installed in compliance with the standards in your respective country.

1 Remove grub screw cover from underside of handle

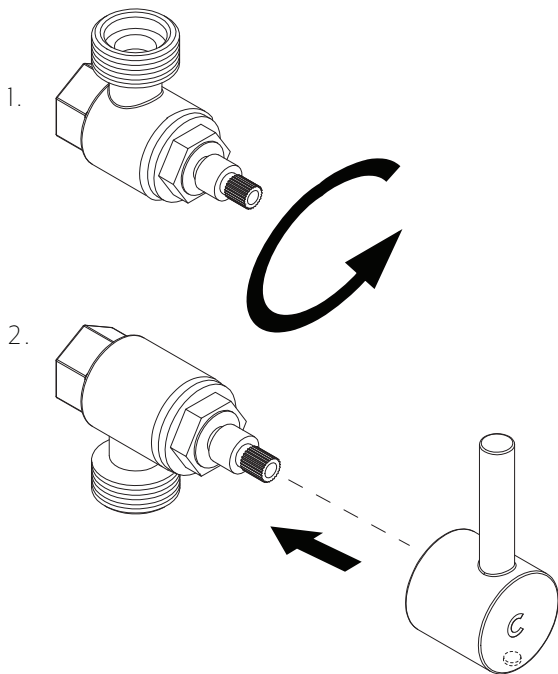


2 1. Insert allen key into grub screw hole and turn anti-clockwise to loosen

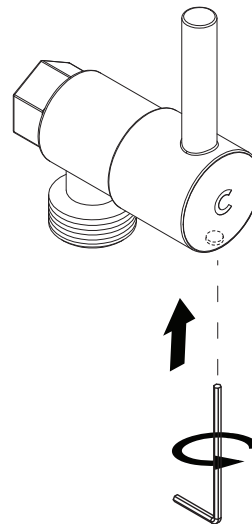
2. Remove handle from mount



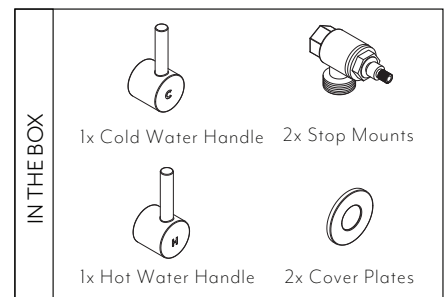
3 1. Turn stop mount 180 degrees so that the inlet is facing down
2. Place handle back on stop mount



4 Insert allen key into grub screw hole and rotate clock-wise to tighten. Mount grub screw cover back into hole



Note: Allen key not included



Regularly clean with mild liquid detergent or soap and water.



DO NOT use cream cleaners or bleach. These substances are abrasive.



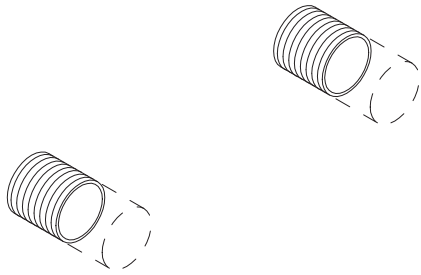
DO NOT use cleaning pads with abrasive surfaces as this may scratch the material.

INSTALLATION GUIDE - INLET UP

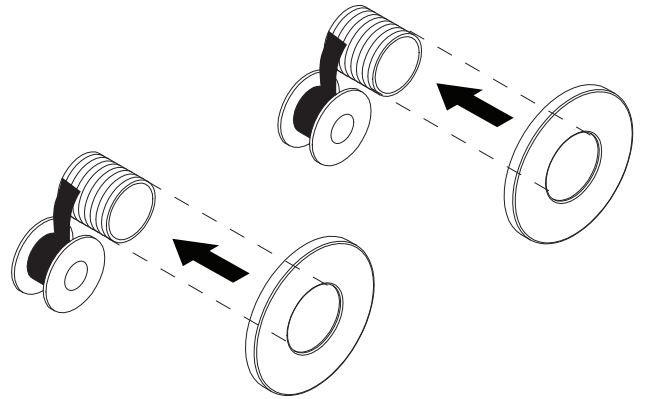
Note: This product must be installed by a licensed plumber. This is a general installation guide - there are many factors involved that can alter the installation method. **AU/NZ:** For installations within Australia and New Zealand, this product must be installed in compliance with AS/NZS 3500. **UK:** For installations in the United Kingdom this product must be installed in compliance with the Water Supply (Water Fittings) Regulations and Water Supply (Water Fittings) (Scotland) Byelaws. **Other:** For installations outside these countries, this product must be installed in compliance with the standards in your respective country.



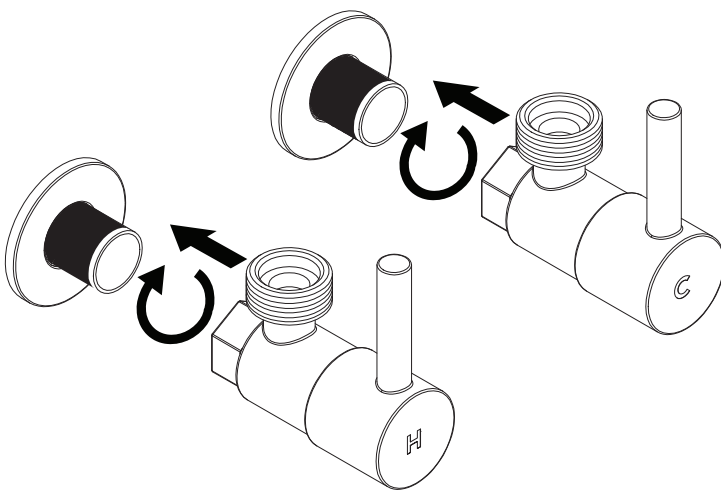
- 1 Cut BP male thread to suit washing machine stop female thread length.



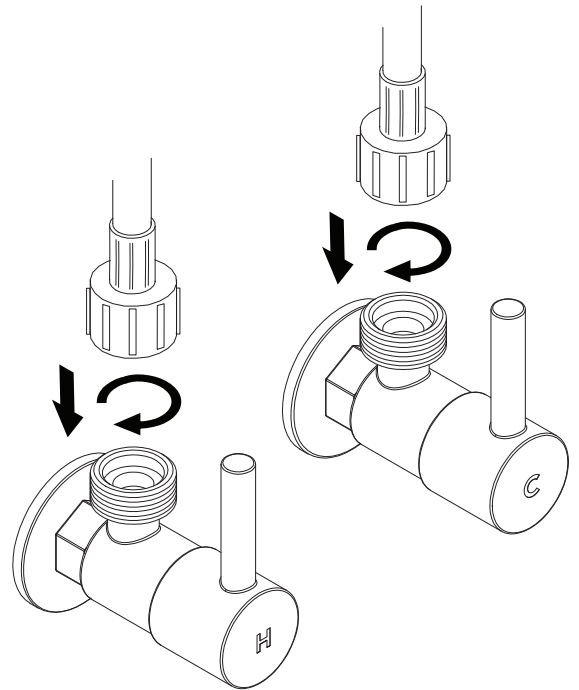
- 2 Apply tape to BP male thread & fit backplate.



- 3 Fit washing machine stops to BP male threads.



- 4 Fit 3/4 hot and cold pipes to washing machine stops



Regularly clean with mild liquid detergent or soap and water.



DO NOT use cream cleaners or bleach. These substances are abrasive.



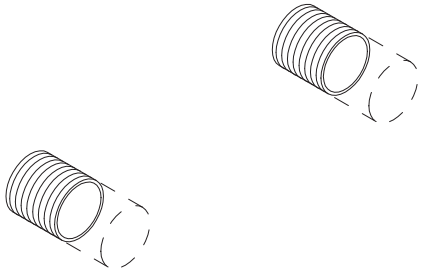
DO NOT use cleaning pads with abrasive surfaces as this may scratch the material.

INSTALLATION GUIDE - INLET DOWN

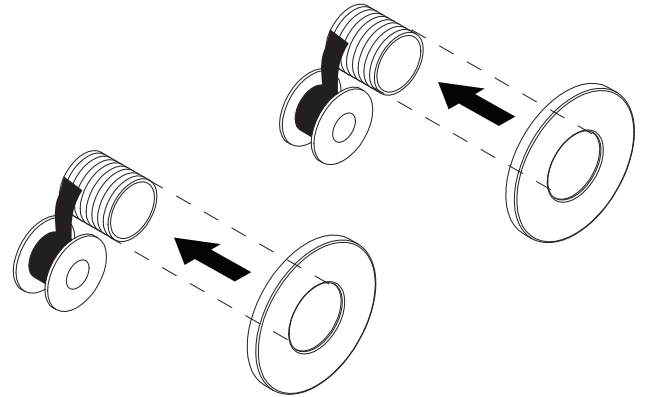
Note: This product must be installed by a licensed plumber. This is a general installation guide - there are many factors involved that can alter the installation method. **AU/NZ:** For installations within Australia and New Zealand, this product must be installed in compliance with AS/NZS 3500. **UK:** For installations in the United Kingdom this product must be installed in compliance with the Water Supply (Water Fittings) Regulations and Water Supply (Water Fittings) (Scotland) Byelaws. **Other:** For installations outside these countries, this product must be installed in compliance with the standards in your respective country.



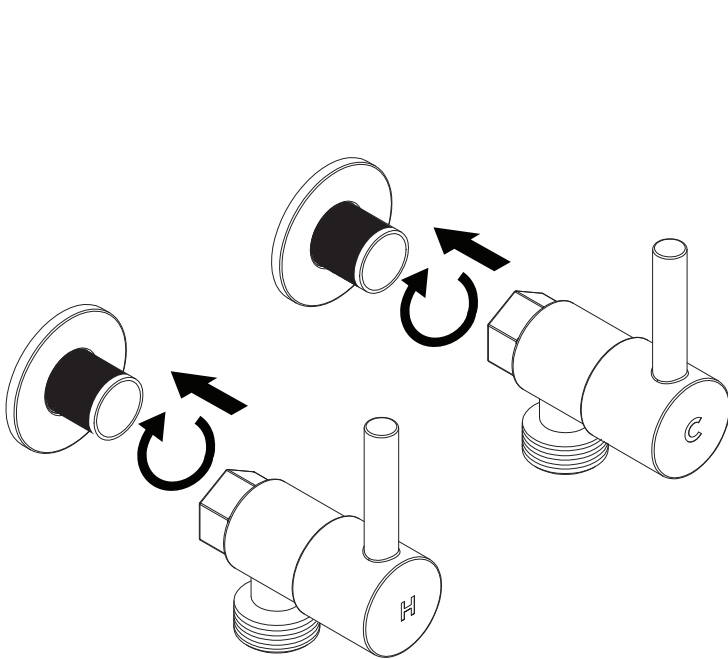
- 1 Cut BP male thread to suit washing machine stop female thread length.



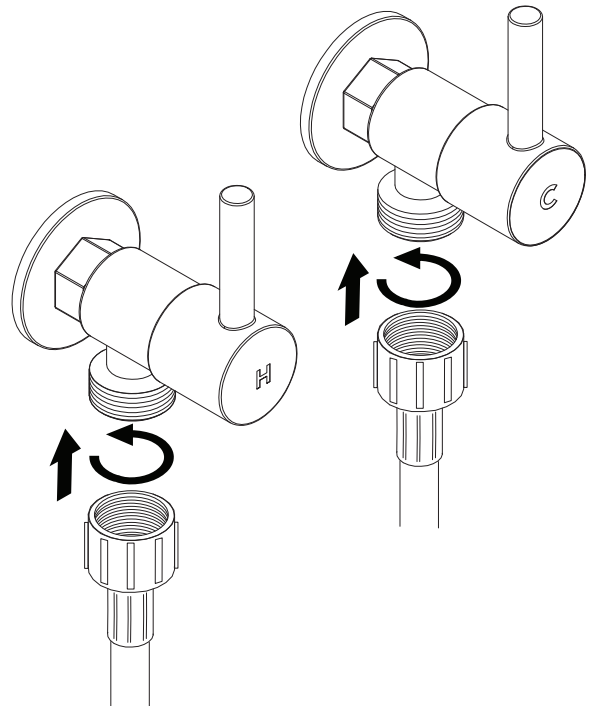
- 2 Apply tape to BP male thread & fit backplate.



- 3 Fit washing machine stops to BP male threads.



- 4 Fit 3/4 hot and cold pipes to washing machine stops



Regularly clean with mild liquid detergent or soap and water.



DO NOT use cream cleaners or bleach. These substances are abrasive.



DO NOT use cleaning pads with abrasive surfaces as this may scratch the material.