

Note: Dimensions are nominal measurements only

SPECIFICATIONS

RECOMMENDED USE

Domestic

MATERIAL

Solid Brass

TEMPERATURE RATING

Maximum continuous working temperature 75°C
If the water temperature exceeds 75°C, an approved tempering valve must be fitted

PRESSURE RATING

Recommended minimum working pressure 0.2 Bar
Recommended maximum working pressure 5 Bar
Hot and cold water inlet pressure should be equal

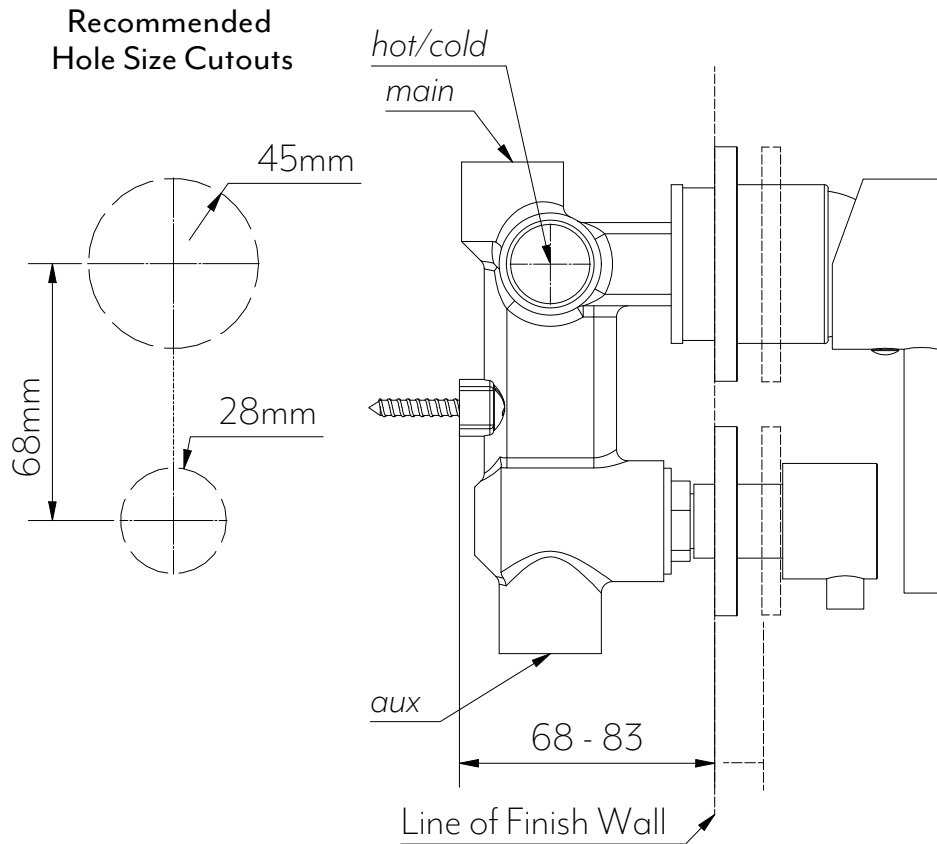
SUITABLE HOT WATER UNITS

Storage tank: Yes
Continuous Flow: Yes
Gravity Feed: Suitable

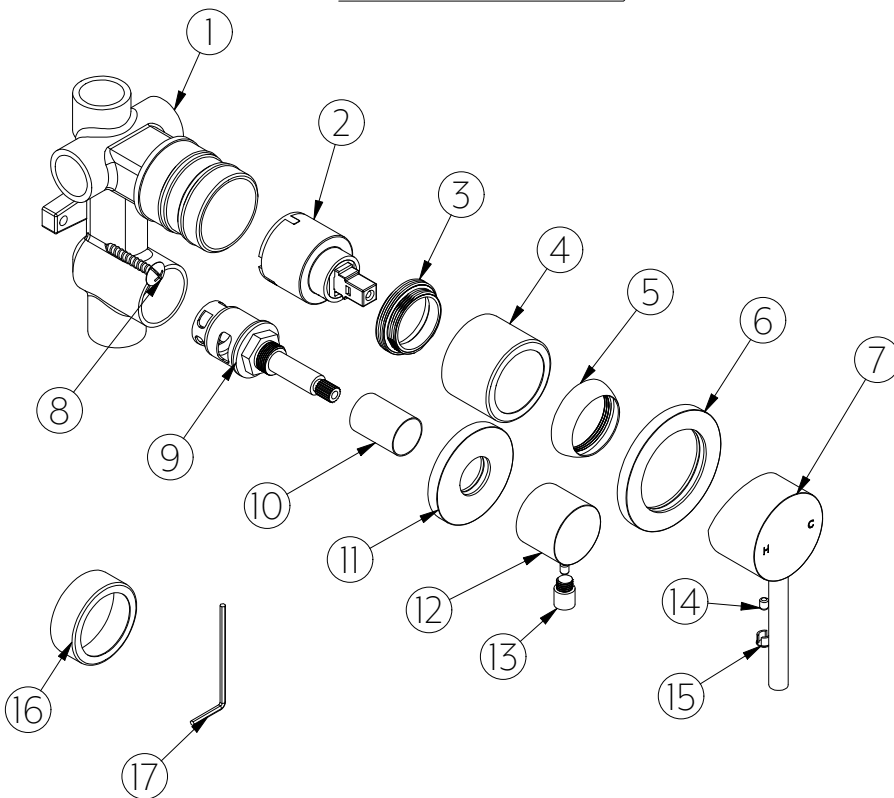
INSTALLATION GUIDE

This product must be installed by a licensed plumber.

This is a general installation guide - there are many factors that are involved that can alter the installation method. This product install must comply with the standards in your respective country and must be adhered to by your licensed tradesperson.



- ① Screw Diverter Body into wall structure with provided screws.
- ② Connect *hot* and *cold* to left and right outlets respectively.
- ③ Connect *main* and *aux* outlets to Rain Shower and Hand Shower. Or alternative shower outlets. Test with pressure.
- ④ Once finish wall is installed use silicone to ensure all entry points around mixer are sealed to prevent water entry.
- ⑤ Install Long or Short Mixer Sleeve depending on wall finish line.
- ⑥ Apply back plates, and install handles by tightening grub screws.



EXPLODED VIEW

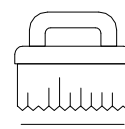
1. Diverter Body
2. Mixer Cartridge
3. Locking Nut
4. Mixer Sleeve Long
5. Dome
6. Mixer Back Plate
7. Mixer Handle
8. Screws
9. Diverter Cartridge
10. Diverter Sleeve
11. Diverter Back Plate
12. Diverter Button
13. Diverter Stick
14. Grub Screw
15. Grub Screw Cap
16. Mixer Sleeve Short
17. Allen Key



Regularly clean with mild liquid detergent or soap and water



DO NOT use cream cleaners or bleach. These substances are abrasive



DO NOT use cleaning pads with abrasive surfaces as this may scratch the material