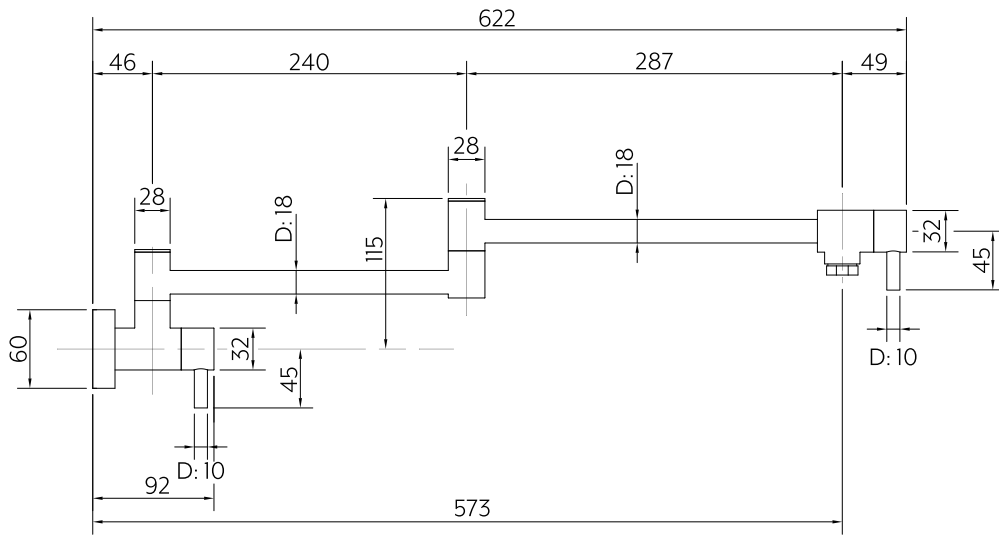


TOP VIEW



FRONT VIEW

Note: Dimensions are nominal measurements only

SPECIFICATIONS

RECOMMENDED USE

Domestic/Commercial

MATERIAL

Solid Brass

TEMPERATURE RATING

Maximum continuous working temperature 75°C
If the water temperature exceeds 75°C, an approved tempering valve must be fitted

PRESSURE RATING

Recommended minimum working pressure 0.2 Bar
Recommended maximum working pressure 5 Bar
Hot and cold water inlet pressure should be equal

SUITABLE HOT WATER UNITS

Storage tank: Yes
Continuous Flow: Yes
Gravity Feed: Suitable

WATER EFFICIENCY

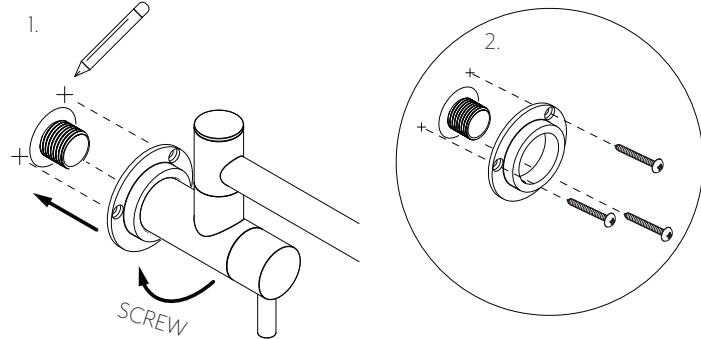
Flow Rate 5.44L/min

INSTALLATION GUIDE

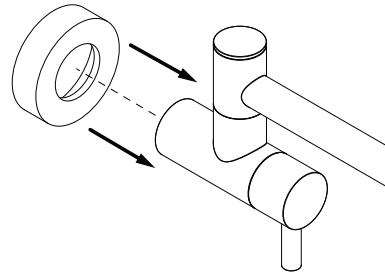
Note: This product must be installed by a licensed plumber. This is a general installation guide - there are many factors involved that can alter the installation method. **AU/NZ:** For installations within Australia and New Zealand, this product must be installed in compliance with AS/NZS 3500. **UK:** For installations in the United Kingdom this product must be installed in compliance with the Water Supply (Water Fittings) Regulations and Water Supply (Water Fittings) (Scotland) Byelaws. **Other:** For installations outside these countries, this product must be installed in compliance with the standards in your respective country.



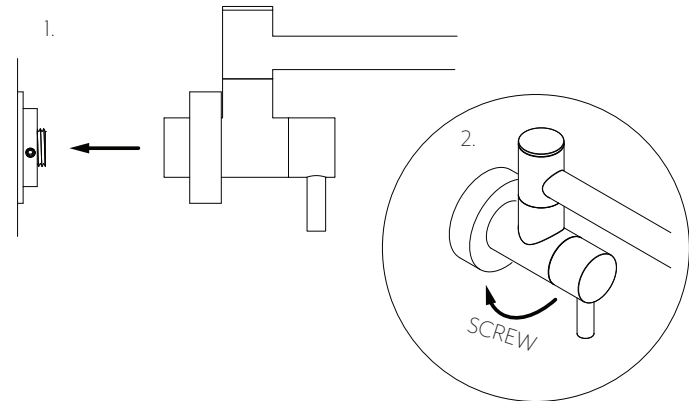
1. Use the mixer as an aid to locate the positioning of the fixing bracket. Mark the holes.
2. Fix the bracket



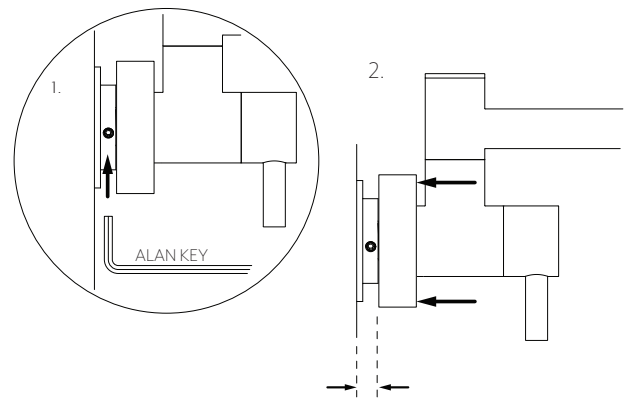
2. Push the cover plate over the body of tap.



3. Screw the mixer onto the 1/2 inch threaded pipe (use appropriate thread sealant)
2. Ensure the mixer is tight and in an upright position.



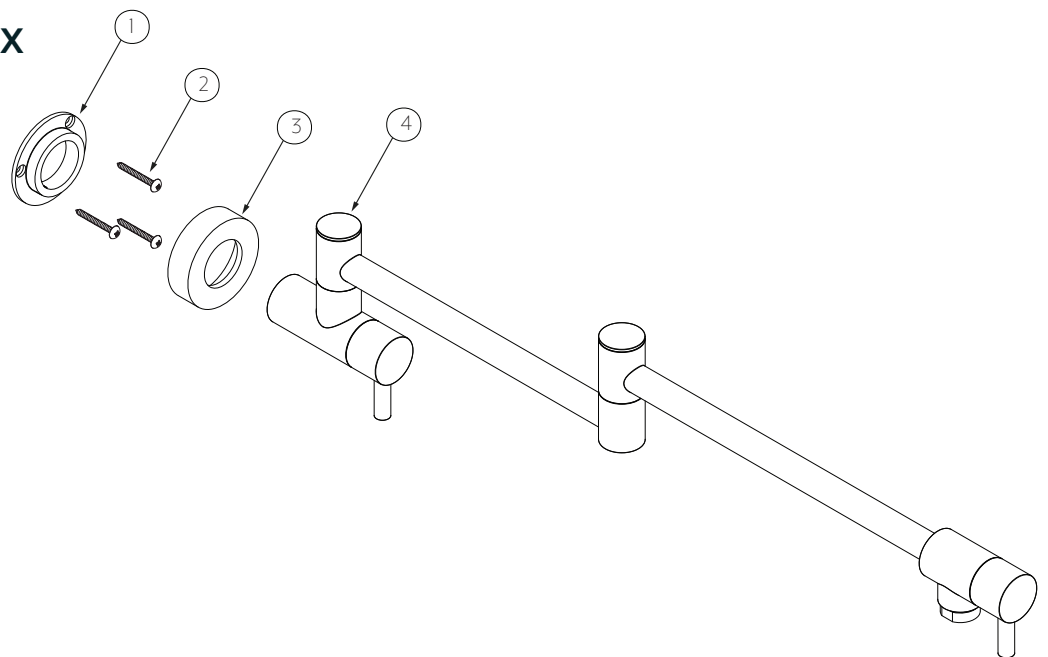
4. Tighten the grub screw with the alan key.
2. Finally push the cover plate over the fixing bracket.
3. Test and commission before use.



WHAT'S IN THE BOX

EXPLODED VIEW

1. Fixing bracket
2. Screws
3. Cover plate
4. Faucet body



Regularly clean with mild liquid detergent or soap and water.



DO NOT use cream cleaners or bleach. These substances are abrasive.



DO NOT use cleaning pads with abrasive surfaces as this may scratch the material.