

Note: Dimensions are nominal measurements only

SPECIFICATIONS

RECOMMENDED USE

Domestic

MATERIAL

Stainless Steel 304

TEMPERATURE RATING

Maximum continuous working temperature 75°C
If the water temperature exceeds 75°C, an approved tempering valve must be fitted

PRESSURE RATING

Recommended minimum working pressure 0.2 Bar
Recommended maximum working pressure 5 Bar
Hot and cold water inlet pressure should be equal

SUITABLE HOT WATER UNITS

Storage tank: Yes
Continuous Flow: Yes
Gravity Feed: Suitable

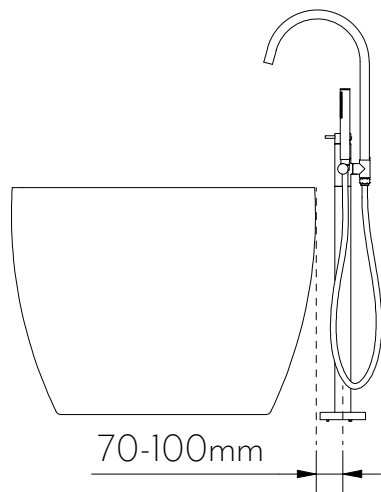
INSTALLATION GUIDE

Note: This product must be installed by a licensed plumber. This is a general installation guide - there are many factors involved that can alter the installation method. **AU/NZ:** For installations within Australia and New Zealand, this product must be installed in compliance with AS/NZS 3500. **UK:** For installations in the United Kingdom this product must be installed in compliance with the Water Supply (Water Fittings) Regulations and Water Supply (Water Fittings) (Scotland) Byelaws. **Other:** For installations outside these countries, this product must be installed in compliance with the standards in your respective country.

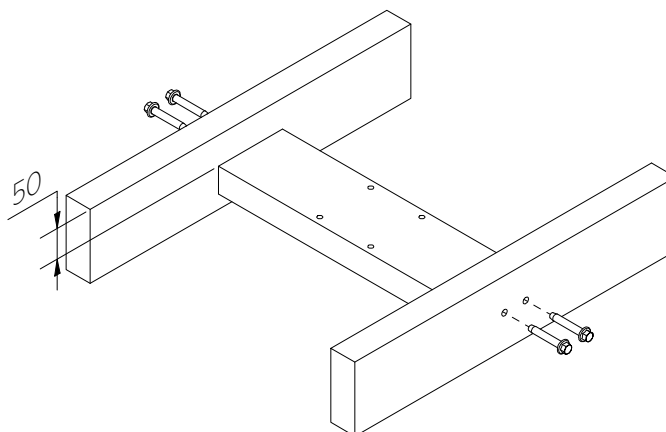


ROUGH IN - Wooden floor

- ① Position install box of bath filler within fixing range of baths widest point.

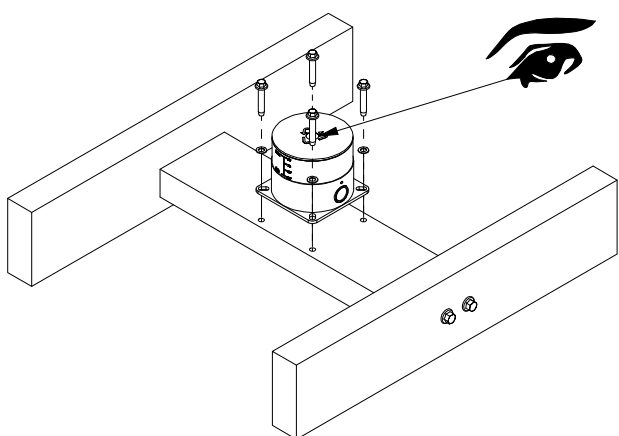


- ② Fix a nog between joists with a minimum width of 110mm to accommodate footprint of install box. Offset this face a minimum of 50mm from top of joist. Ensure surface is level in all directions.

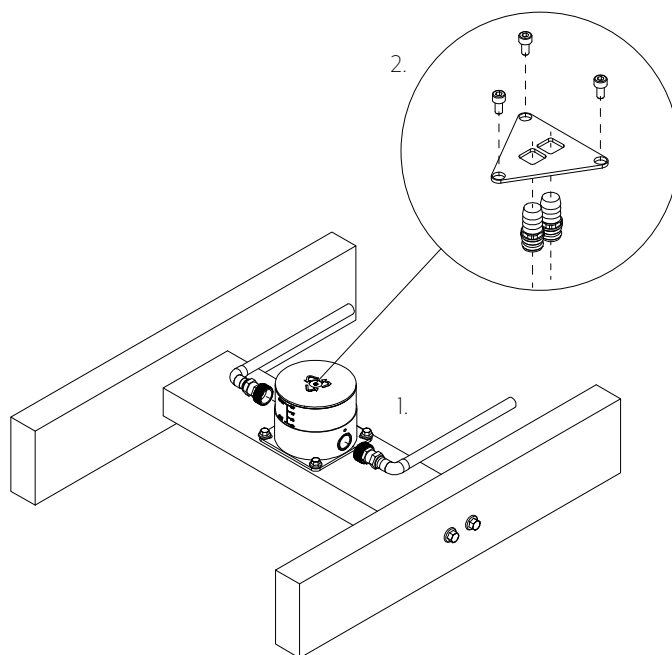


- ③ Fix install box to nog with screws and washers. Note: These are not included, this product includes provisions for concrete fixing.

Verify box is level with spirit level on install box lid.



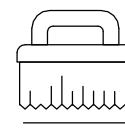
- ④ 1. Install hot and cold water lines.
2. Remove lid and ensure testing plate is secure. Box can now be tested prior to tiling.



Regularly clean with mild liquid detergent or soap and water



DO NOT use cream cleaners or bleach. These substances are abrasive



DO NOT use cleaning pads with abrasive surfaces as this may scratch the material

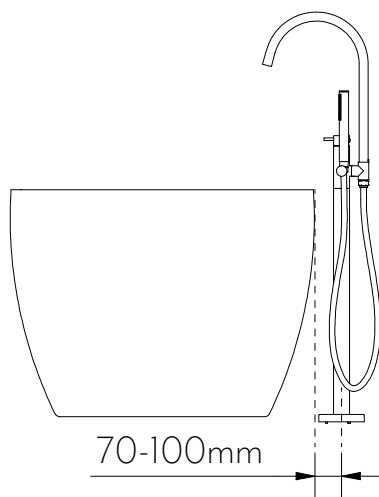
INSTALLATION GUIDE

Note: This product must be installed by a licensed plumber. This is a general installation guide - there are many factors involved that can alter the installation method. **AU/NZ:** For installations within Australia and New Zealand, this product must be installed in compliance with AS/NZS 3500. **UK:** For installations in the United Kingdom this product must be installed in compliance with the Water Supply (Water Fittings) Regulations and Water Supply (Water Fittings) (Scotland) Byelaws. **Other:** For installations outside these countries, this product must be installed in compliance with the standards in your respective country.

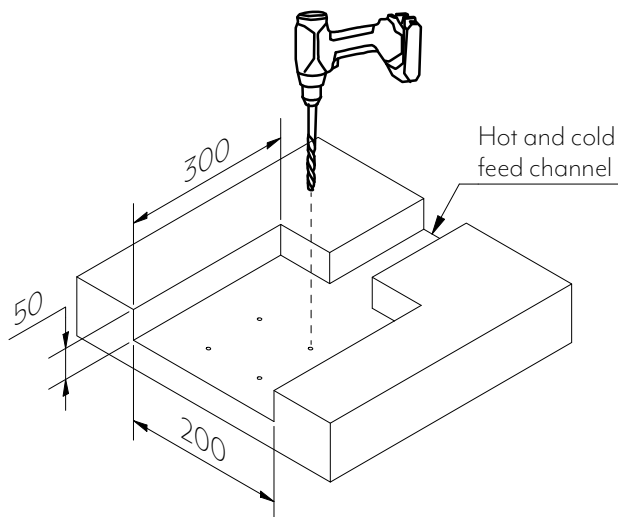


ROUGH IN - Concrete floor

- ① Position install box of bath filler within fixing range of baths widest point.



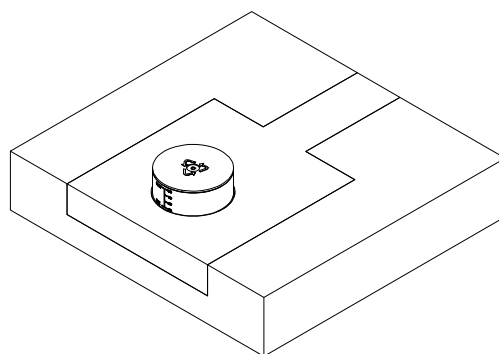
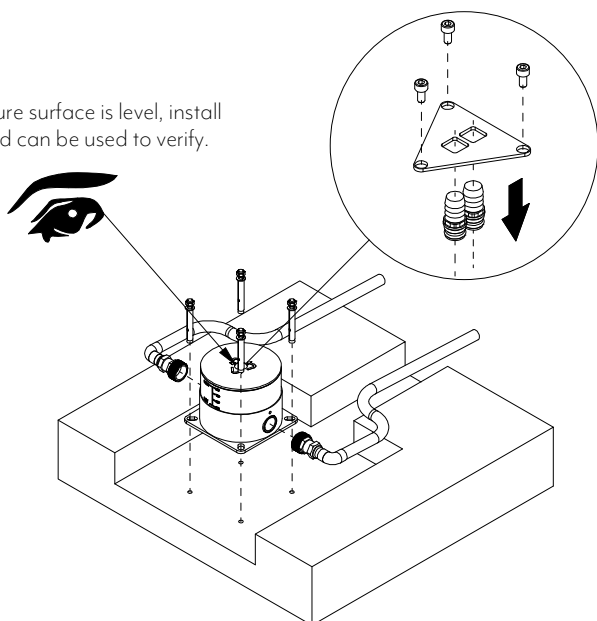
- ② Chase out a recess in the concrete with a minimum 55mm depth. The recess area should be a minimum of 200x300mm to allow for waterway connections. Mark and drill holes for expansion bolts.



- ③ Install expansion bolts and tighten. Connect hot and cold water feeds. Remove lid and ensure testing plate is secure. Box can now be tested prior to concreting.

- ④ Concrete can now be poured to fill cavity. Leave excess plastic to be trimmed flush with tiles.

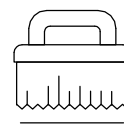
*Ensure surface is level, install box lid can be used to verify.



Regularly clean with mild liquid detergent or soap and water



DO NOT use cream cleaners or bleach. These substances are abrasive



DO NOT use cleaning pads with abrasive surfaces as this may scratch the material

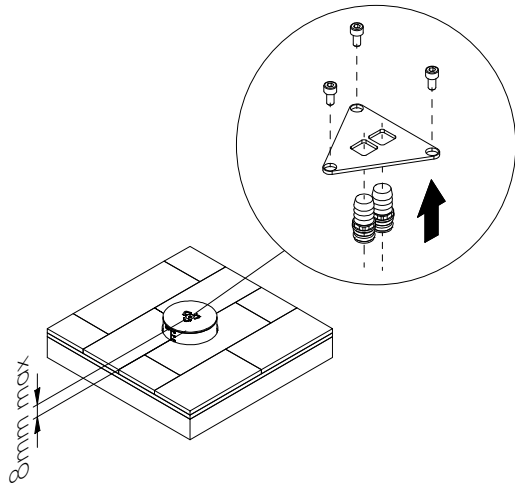
INSTALLATION GUIDE

Note: This product must be installed by a licensed plumber. This is a general installation guide - there are many factors involved that can alter the installation method. **AU/NZ:** For installations within Australia and New Zealand, this product must be installed in compliance with AS/NZS 3500. **UK:** For installations in the United Kingdom this product must be installed in compliance with the Water Supply (Water Fittings) Regulations and Water Supply (Water Fittings) (Scotland) Byelaws. **Other:** For installations outside these countries, this product must be installed in compliance with the standards in your respective country.

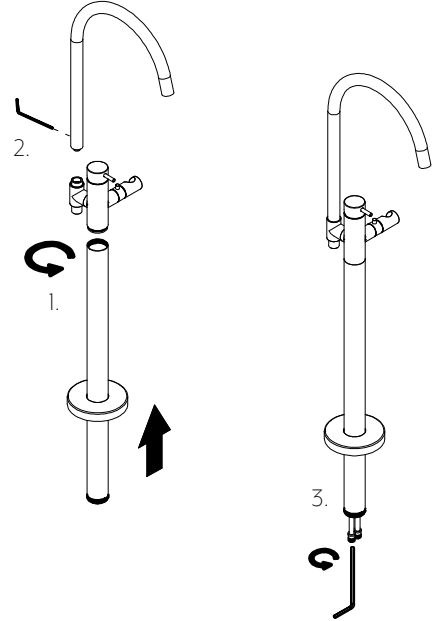


FIT OFF

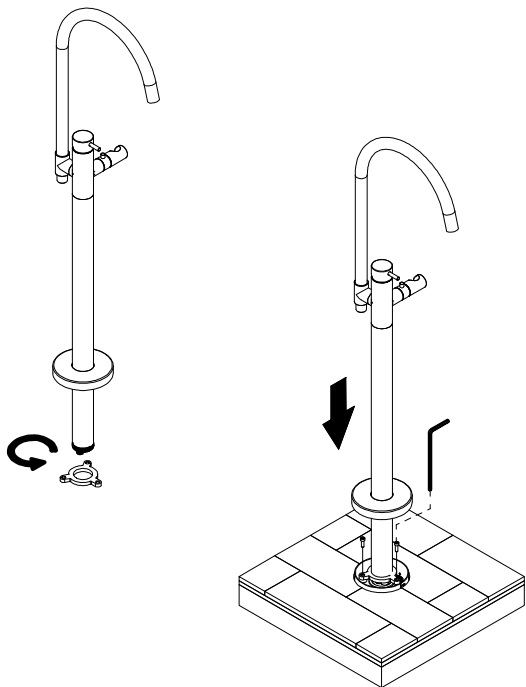
1. After tiling remove cap and trim plastic to a maximum of 8mm protruding from floor surface.
2. Unscrew and remove testing plate and plugs.



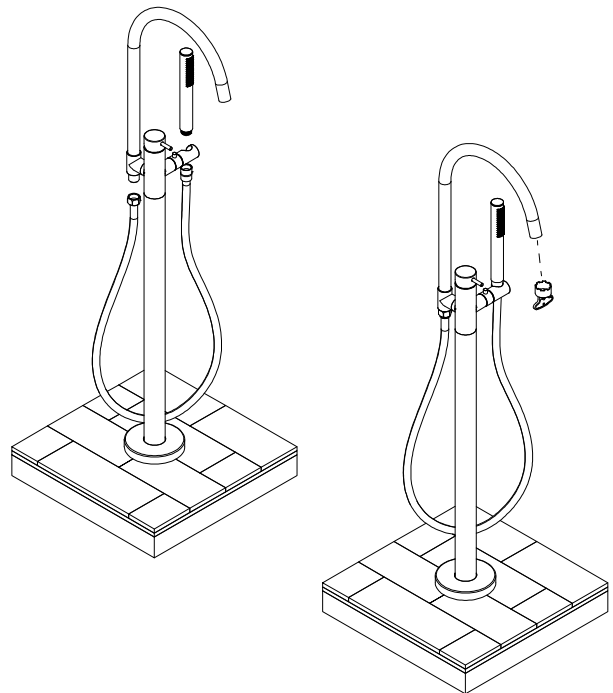
2. 1. Screw extension pole onto bath filler and slide dress plate on.
2. Install spout ensuring to align grub screw holes on plastic collar.
3. Screw in hot and cold water piping and tighten with provided Allen key.



3. 1. Screw fixing plate to base of pole. Carefully insert hot and cold lines into install box and screw fixing plate down to secure. Slide dress plate down to cover install box, ensuring not to scratch.



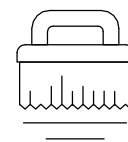
4. Shower hose and hand shower can now be installed. Tighten aerator so that it cannot be removed by hand. Test and commission.



Regularly clean with mild liquid detergent or soap and water



DO NOT use cream cleaners or bleach. These substances are abrasive



DO NOT use cleaning pads with abrasive surfaces as this may scratch the material