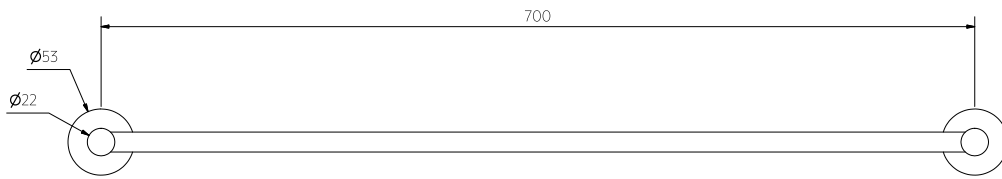
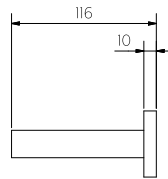


Top View



Front View



Side View

Note: Dimensions are nominal measurements only

SPECIFICATIONS

RECOMMENDED USE

Domestic

MATERIAL

Solid Brass

MOUNTING HARDWARE INCLUDED

Yes, 4x Phillips Head Masonry Screw/ 4x Wall Plug

FIXING DISTANCE

700mm (centre to centre)

INSTALLATION GUIDE

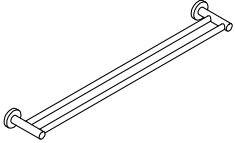



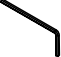

This product must be installed by a licensed tradesperson.

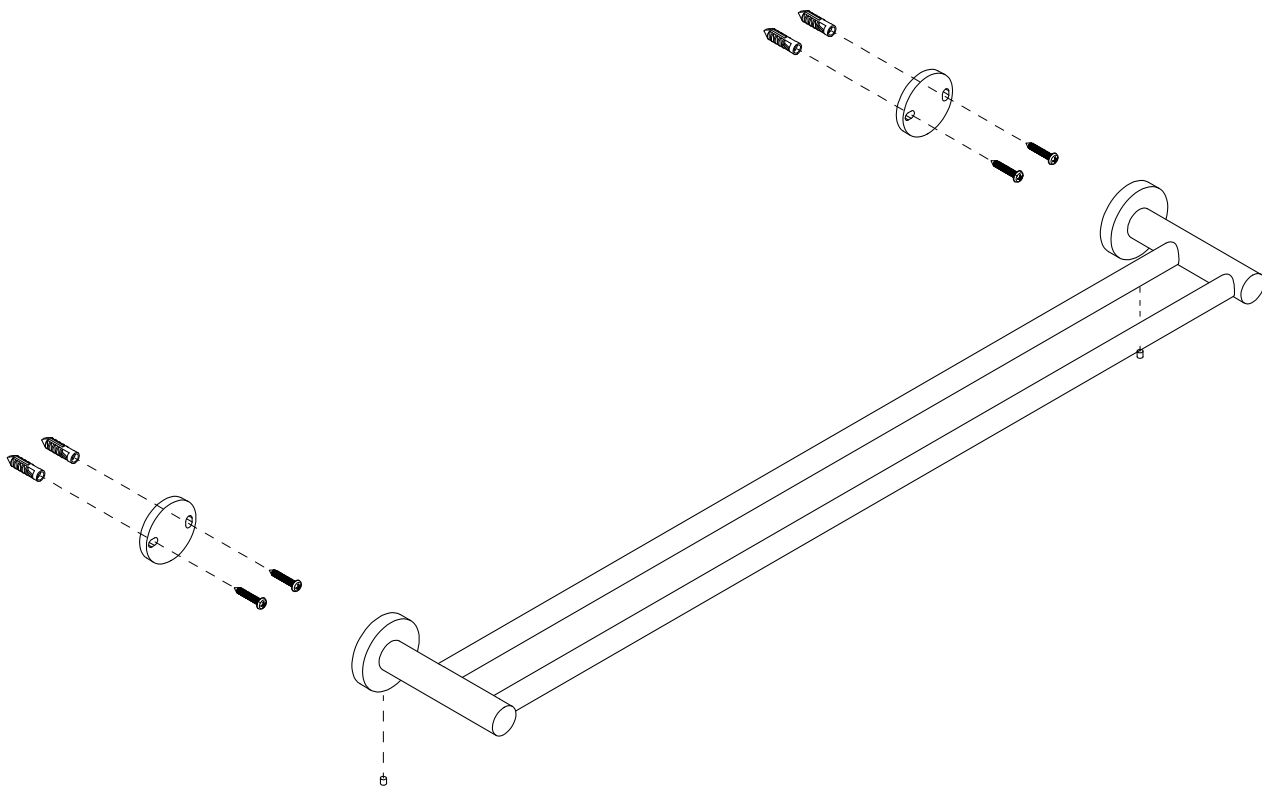
This is a general installation guide - there are many factors that are involved that can alter the installation method. This product install must comply with the standards in your respective country and must be adhered to by your licensed tradesperson.

ABI
INTERIORS

- ① Using the fixing bracket as a guide, drill holes in desired position and insert wall plugs.
- ② Remove bracket from the towel rail using the Allen key to loosen the grub screw. Install bracket by fastening the supplied screws into the wall plugs.
- ③ Place the towel rail onto the bracket and firmly tighten grub screws using Allen key.

Important - If installing onto plasterboard please use appropriate fixings.

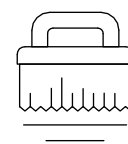
What's in the box	
1 x Towel rail	
2 x Fixing bracket	
4 x Wall plug	
4 x Screws	
1 x Allen key	
2 x Grub screw	



Regularly clean with mild liquid detergent or soap and water



DO NOT use cream cleaners or bleach. These substances are abrasive



DO NOT use cleaning pads with abrasive surfaces as this may scratch the material