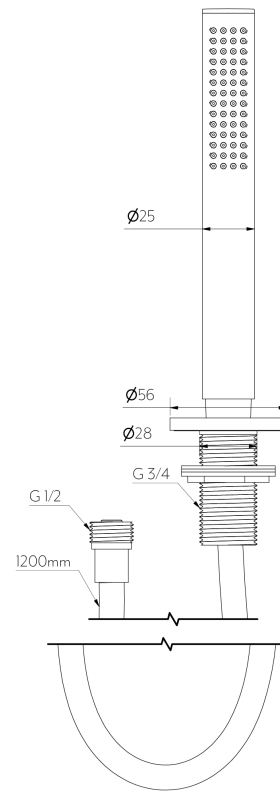


Side View



Front View

Note: Dimensions are nominal measurements only

SPECIFICATIONS

RECOMMENDED USE

Domestic

MATERIAL

Solid Brass, Stainless Steel 316

TEMPERATURE RATING

Maximum continuous working temperature 75°C
If the water temperature exceeds 75°C, an approved tempering valve must be fitted

PRESSURE RATING

Recommended minimum working pressure 0.2 Bar
Recommended maximum working pressure 5 Bar
Hot and cold water inlet pressure should be equal

SUITABLE HOT WATER UNITS

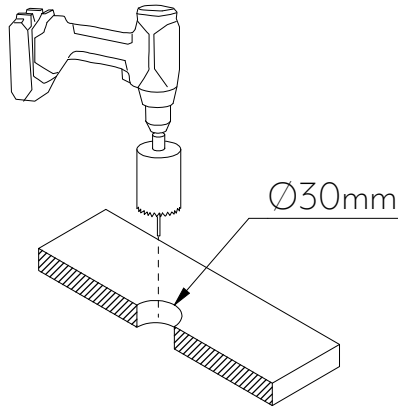
Storage tank: Yes
Continuous Flow: Yes
Gravity Feed: Suitable

INSTALLATION GUIDE

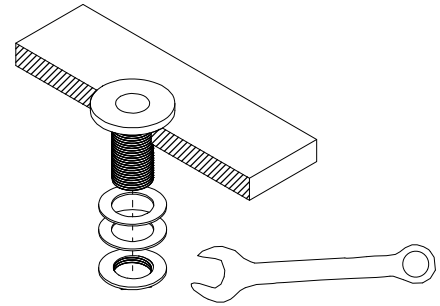
Note: This product must be installed by a licensed plumber. This is a general installation guide - there are many factors involved that can alter the installation method. **AU/NZ:** For installations within Australia and New Zealand, this product must be installed in compliance with AS/NZS 3500. **UK:** For installations in the United Kingdom this product must be installed in compliance with the Water Supply (Water Fittings) Regulations and Water Supply (Water Fittings) (Scotland) Byelaws. **Other:** For installations outside these countries, this product must be installed in compliance with the standards in your respective country.



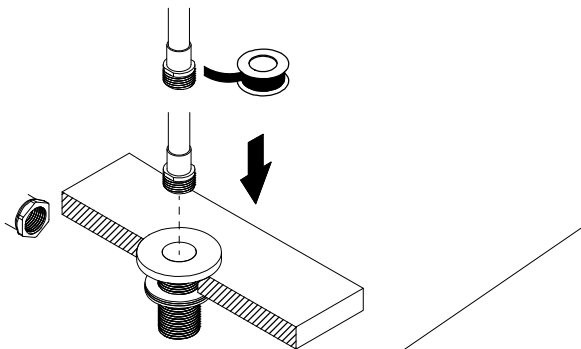
- 1 Mark hole in bench at desired location and drill Ø30mm hole.



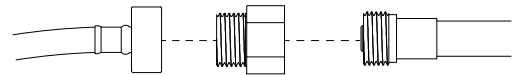
- 2 Install base plate into cutout. Ensure rubber washer is followed by metal washer and tightened securely with the locking nut.



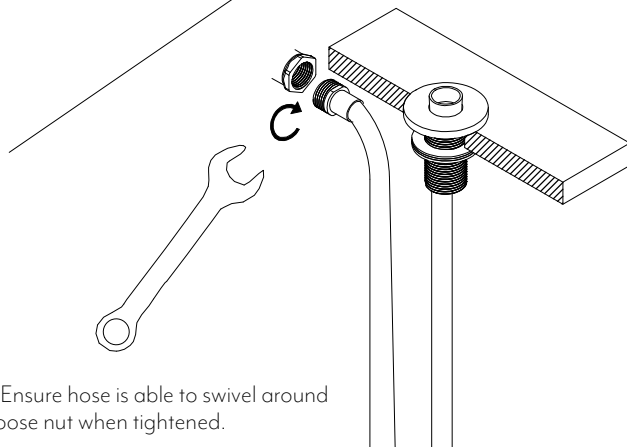
- 3 Apply thread tape to hose end and feed through base plate from above. Install into mixed water outlet of your chosen setup.



- 4 Install your chosen hand shower to the hose. *Test and commission



*If hose reach needs to be extended. A male to female G 1/2 connector is provided for connection to a flexible hose.



*Ensure hose is able to swivel around loose nut when tightened.

What's in the box

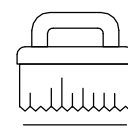
- Hand shower base plate x 1
- Locking nut x 1
- Metal washer x 1
- Rubber Washer x 1
- G1/2 female to male x 1
- Shower hose x 1



Regularly clean with mild liquid detergent or soap and water



DO NOT use cream cleaners or bleach. These substances are abrasive



DO NOT use cleaning pads with abrasive surfaces as this may scratch the material