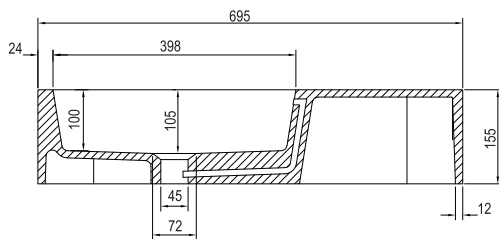
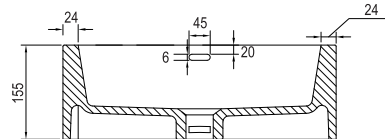


Top View



Section A:A



Section B:B

**Note:** Dimensions are nominal measurements only

## SPECIFICATIONS

### RECOMMENDED USE

Domestic

### MATERIAL

Solid Surface

### INSTALLATION

Wall Mount, Wall or Bench Mount Spout/Mixer  
Hole for bench mount to be drilled on site.  
Note: Water tap hoses are not able to be concealed under basin.

### OVERFLOW

Yes, overflow built in - no connectors required

### CAPACITY

8.5L

### RIM THICKNESS

24mm

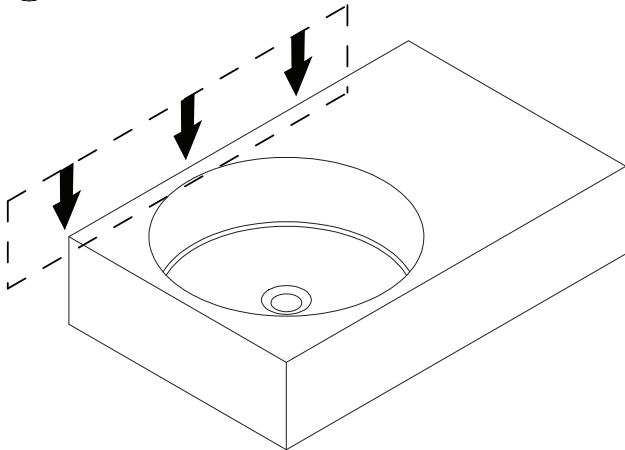
# INSTALLATION GUIDE

This product must be installed by a licensed tradesperson.

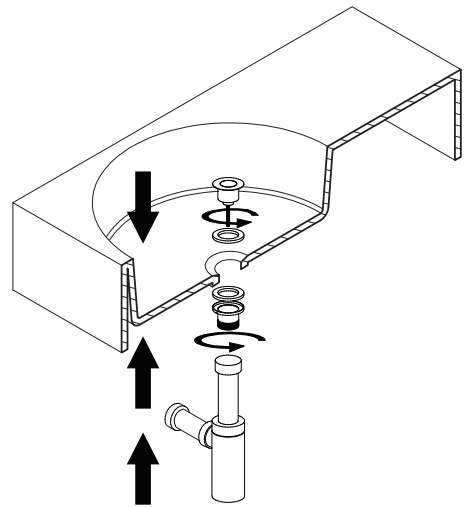
This is a general installation guide - there are many factors that are involved that can alter the installation method. This product install must comply with the standards in your respective country and must be adhered to by your licensed tradesperson.



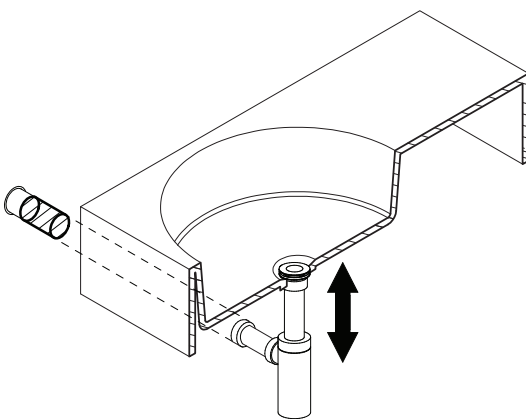
- 1 Check the desired height of basin from floor.



- 2 Fit waste and trap to basin.

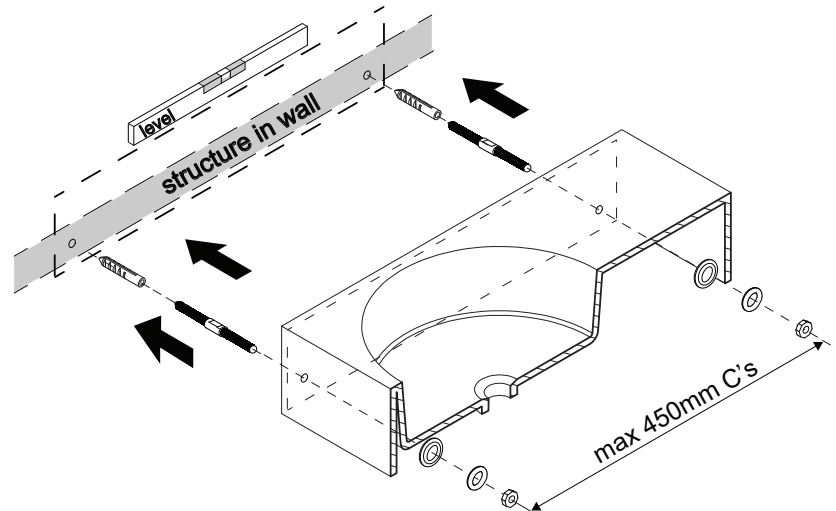


- 3 Hold basin against wall aligning outlet of trap with waste pipe. Extend telescopic trap up or down to find desired height & cut waste to suit trap.



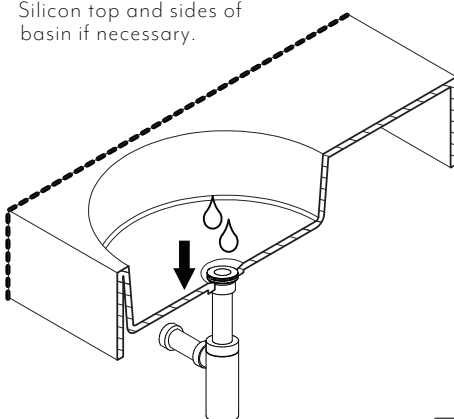
- 4 If correct height and position is suitable, level the top of the basin & mark out desired position.

Drill holes through the back of basin into structure within wall with a wood drill bit at maximum 450mm centres. Fix basin into structural support in wall.



- 5 Secure plumbing to basin and wall outlet. Test by running water through the waste. Place the cover plate over drain.

Silicon top and sides of basin if necessary.



Regularly clean with mild liquid detergent or soap and water.



DO NOT use cream cleaners or bleach. These substances are abrasive.



DO NOT use cleaning pads with abrasive surfaces as this may scratch the material.

IN THE BOX		2 x Wall plug		1 x Basin
		2 x Hanger bolt		2 x Metal washer
		2 x Plastic washer		2 x Nut