

Note: Dimensions are nominal measurements only

SPECIFICATIONS

RECOMMENDED USE

Domestic

MATERIAL

Solid Surface

INSTALLATION

Semi Inset

OVERFLOW

No

CAPACITY

13L

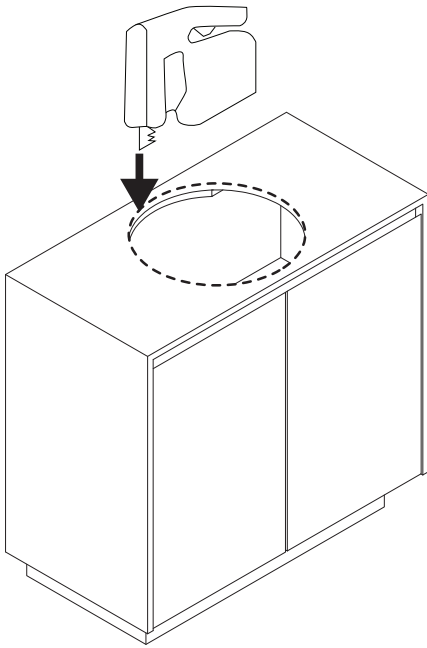
RIM THICKNESS

15mm at bench level
2mm at top of basin

INSTALLATION GUIDE

This product must be installed by a licensed tradesperson.

This is a general installation guide - there are many factors that are involved that can alter the installation method. This product install must comply with the standards in your respective country and must be adhered to by your licensed tradesperson.



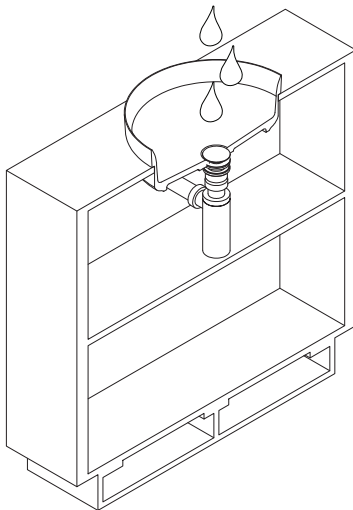
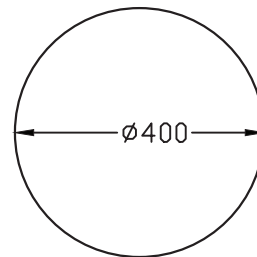
1

Mark out desired position in benchtop and use cutting template provided to create hole in benchtop to mount basin.

This product requires a 400mm deep internal carcass clearance for waste and trap.

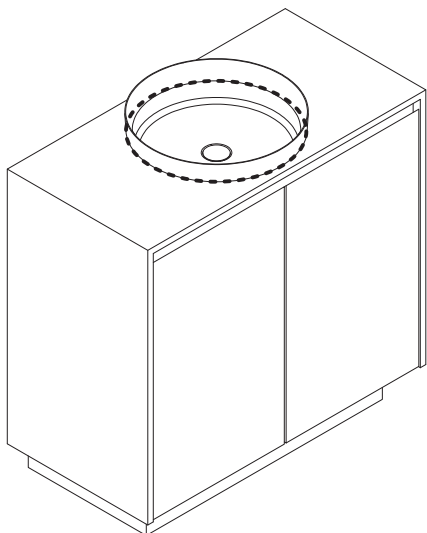
Note: If cutting a stone benchtop it will need to be cut in a controlled environment by a licensed tradesperson as per OH&S regulations.

CUT-OUT TEMPLATE



2

Install pop up waste and attach to plumbing. Test by running water through the waste and pushing the plug down.



3

Silicone basin to vanity benchtop as required.



Regularly clean with mild liquid detergent or soap and water.



DO NOT use cream cleaners or bleach. These substances are abrasive.



DO NOT use cleaning pads with abrasive surfaces as this may scratch the material.