

SPECIFICATIONS

RECOMMENDED USE

Domestic

CONSTRUCTION

High Density moisture resistant particle board, soft close drawers

INSTALLATION

Wall mounted, no cabinetry pull required

DRAWERS

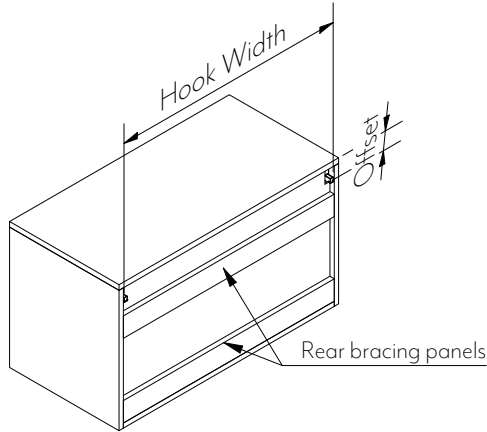
1 x Cut Out Drawer
1x Standard drawer

INSTALLATION GUIDE

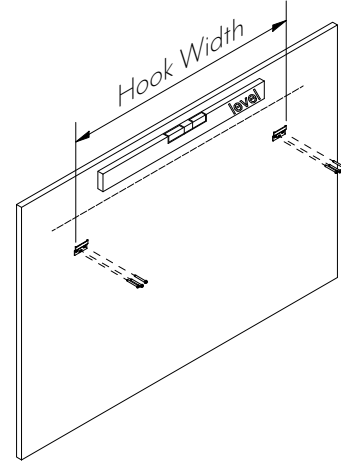
Note: This product must be installed by a licensed plumber. This is a general installation guide - there are many factors involved that can alter the installation method. **AU/NZ:** For installations within Australia and New Zealand, this product must be installed in compliance with AS/NZS 3500. **UK:** For installations in the United Kingdom this product must be installed in compliance with the Water Supply (Water Fittings) Regulations and Water Supply (Water Fittings) (Scotland) Byelaws. **Other:** For installations outside these countries, this product must be installed in compliance with the standards in your respective country.



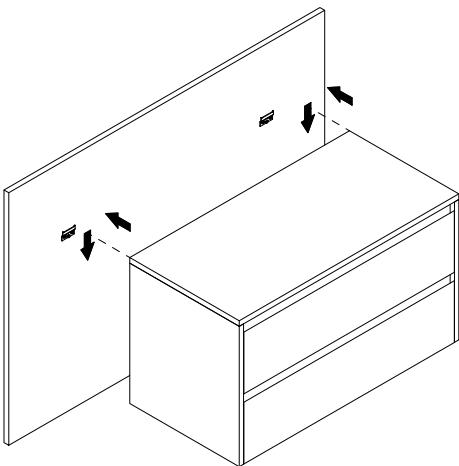
- ① Measure the distance between the outer faces of the cabinet hooks, as well as the bracket-to-top-of cabinet offset.



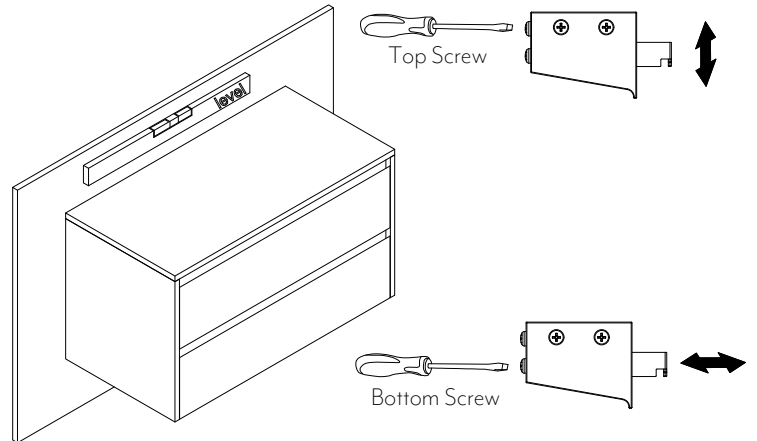
- ② Fix both wall brackets at the correct spacing, at a height equal to the desired vanity top height minus the hook offset. Check level before fully tightening. **Note: The brackets are load bearing and must be screwed into wall structure.**



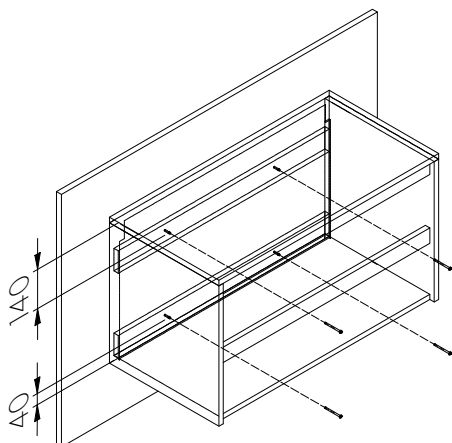
- ③ Place vanity onto the wall brackets. Ensure both hooks have engaged and are bearing the full weight of the vanity before releasing.



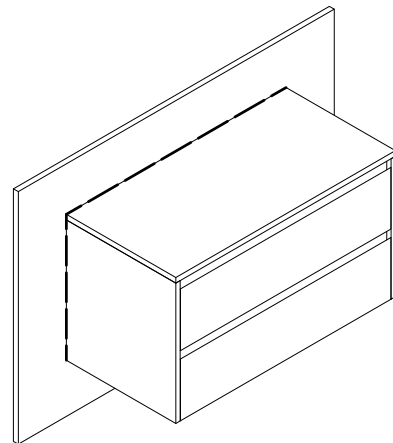
- ④ Check that the vanity is level and sitting tight to the wall. If small adjustments are required, use the screws on the back of the hooks for micro adjustment.



- ⑤ Once level, drive additional screws through the rear bracing panels into wall structure to secure the vanity in place. Approx. 140mm from internal ceiling and 40mm from internal base.



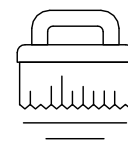
- ⑥ Silicone top and sides of vanity



Regularly clean with mild liquid detergent or soap and water



DO NOT use cream cleaners or bleach. These substances are abrasive



DO NOT use cleaning pads with abrasive surfaces as this may scratch the material