

Note: Dimensions are nominal measurements only

SPECIFICATIONS

RECOMMENDED USE

Domestic

MATERIAL

HDPE Plastic

TEMPERATURE RATING

Maximum continuous working temperature 75°C
If the water temperature exceeds 75°C, an approved tempering valve must be fitted

PRESSURE RATING

Recommended minimum working pressure 0.2 Bar
Recommended maximum working pressure 5 Bar
Hot and cold water inlet pressure should be equal

INSTALLATION

Wall Mounted

STANDARDS

WELS 4 Star, Half Flush 3 Litres, Full Flush 4.5 Litres
Average Flush 3.3 Litres, L02631

INSTALLATION GUIDE

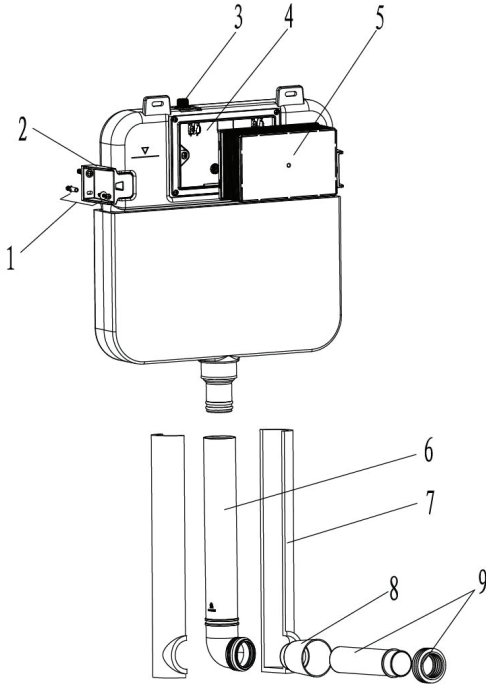
Note: This product must be installed by a licensed plumber. This is a general installation guide - there are many factors involved that can alter the installation method. **AU/NZ:** For installations within Australia and New Zealand, this product must be installed in compliance with AS/NZS 3500. **UK:** For installations in the United Kingdom this product must be installed in compliance with the Water Supply (Water Fittings) Regulations and Water Supply (Water Fittings) (Scotland) Byelaws. **Other:** For installations outside these countries, this product must be installed in compliance with the standards in your respective country.

1. Please adhere to the following installation instructions.

We shall not be responsible for failures and loss that are contributed to improper installation.

2. Please confirm the fixation location of cistern prior to installation and obtain the finished floor surface. Draw FFL on installation wall and follow it as baseline from ZERO (0) level.

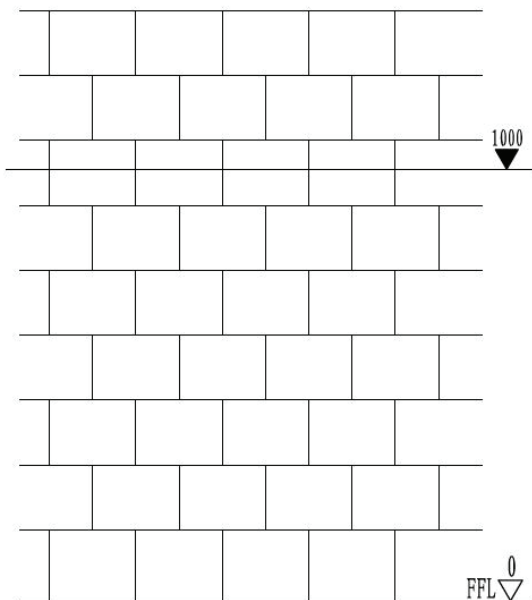
3. The instructions have been composed based on the latest product specifications. We reserve the right to make modifications to the packaging and specifications without providing prior notification



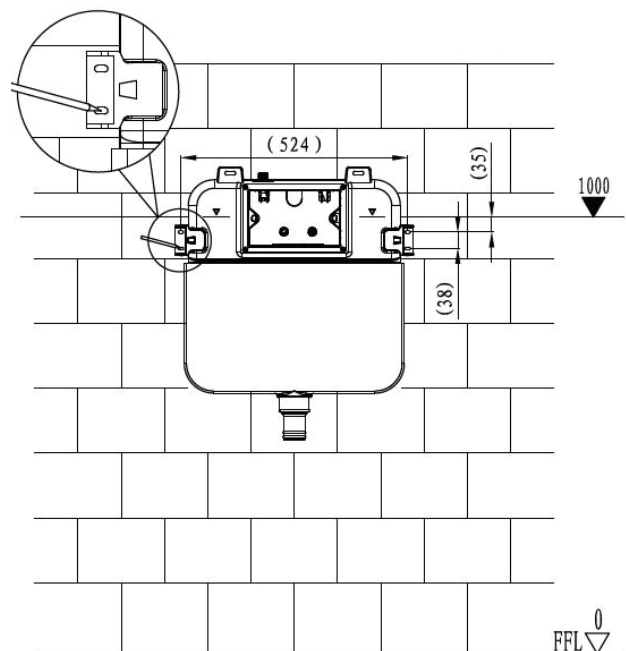
PARTS LIST

No.	Description	Qty	Function
1	Expansion Screw	1	Fixation of concealed cistern
2	Cistern Fixing Clip	2	Fixation of concealed cistern
3	Angle Valve	1	Fill valve inlet and shut-off
4	Cistern Cover	1	Airproof tank and mounting of locking bracket
5	Plastic Holder	1	To reserve space for installation of actuator at wall building To prevent dust and impurities into tank at wall building
6	Flush Pipe	1	Water inlet to ceramic bowl
7	Tube Cover	2	To protect flush pipe
8	Piping Cover	1	To reserve space for straight tube and flush pipe
9	Straight Tube	1	To join cistern into ceramic bowl (cutting in accordance with wall thickness)

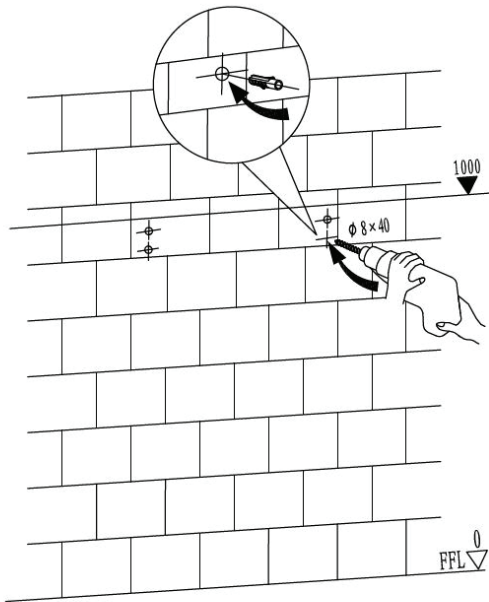
- ① Determine the position of 1m line and the position of drilling holes



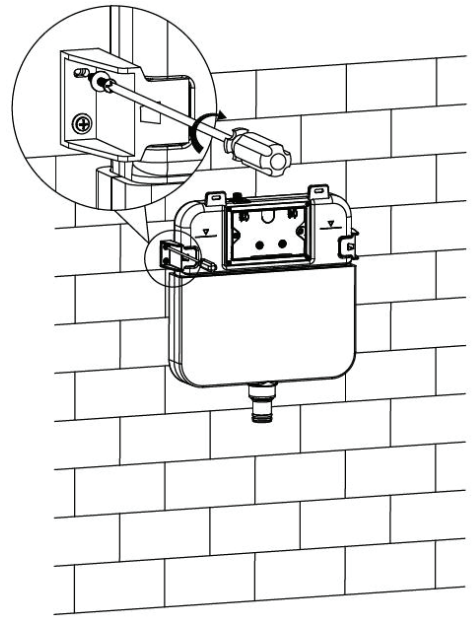
Note: Follow the practical location of iron bracket to drill properly



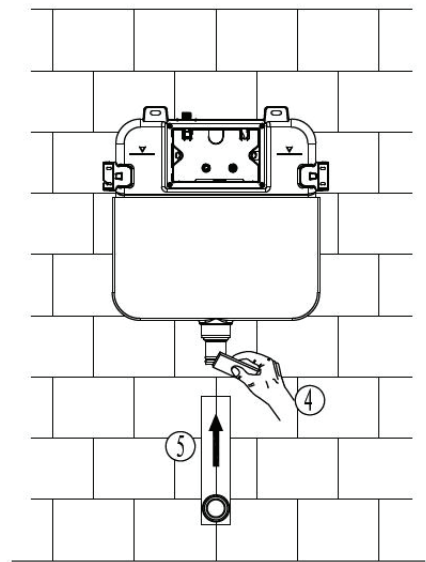
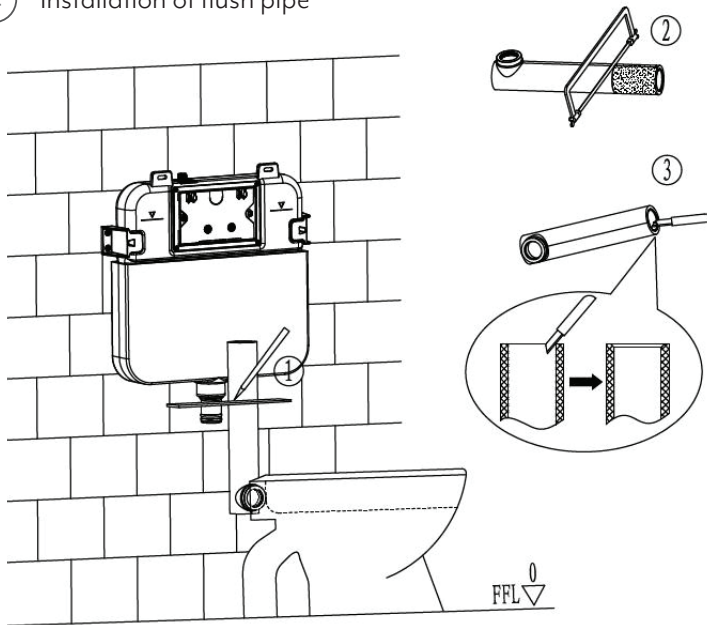
② Drilling and installation of expansion screw



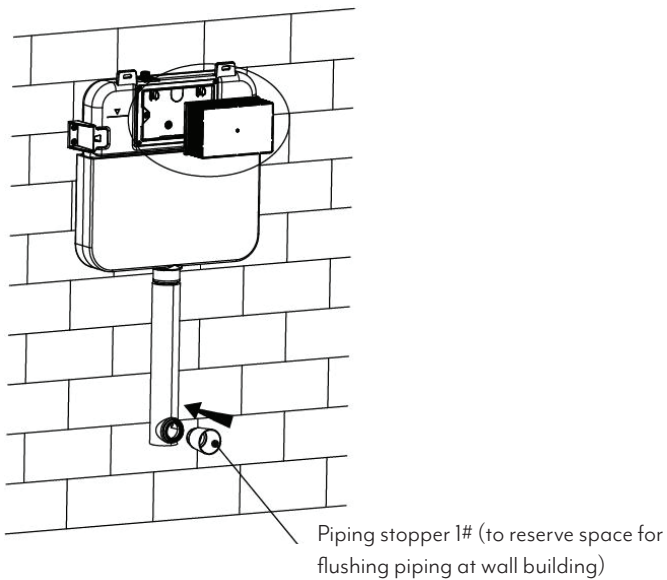
③ Installation of concealed cistern.



④ Installation of flush pipe

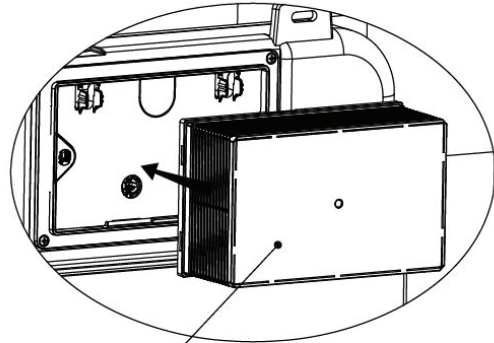


⑤ Mounting of installation accessories



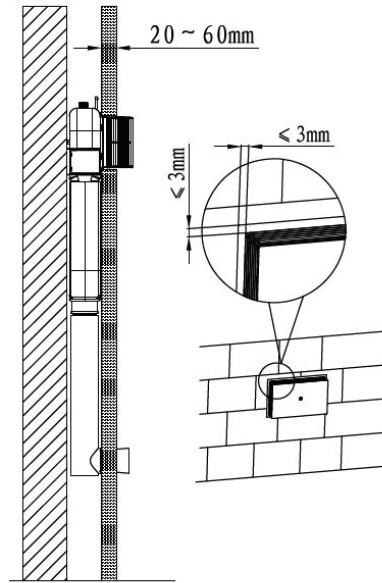
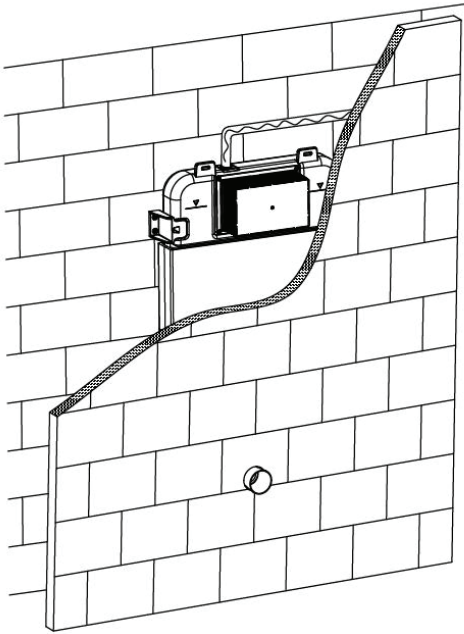
Piping stopper 1# (to reserve space for flushing piping at wall building)

Note: Ensure all connection inside cistern are tightened correctly e.g. inlet valve and flexi hose.

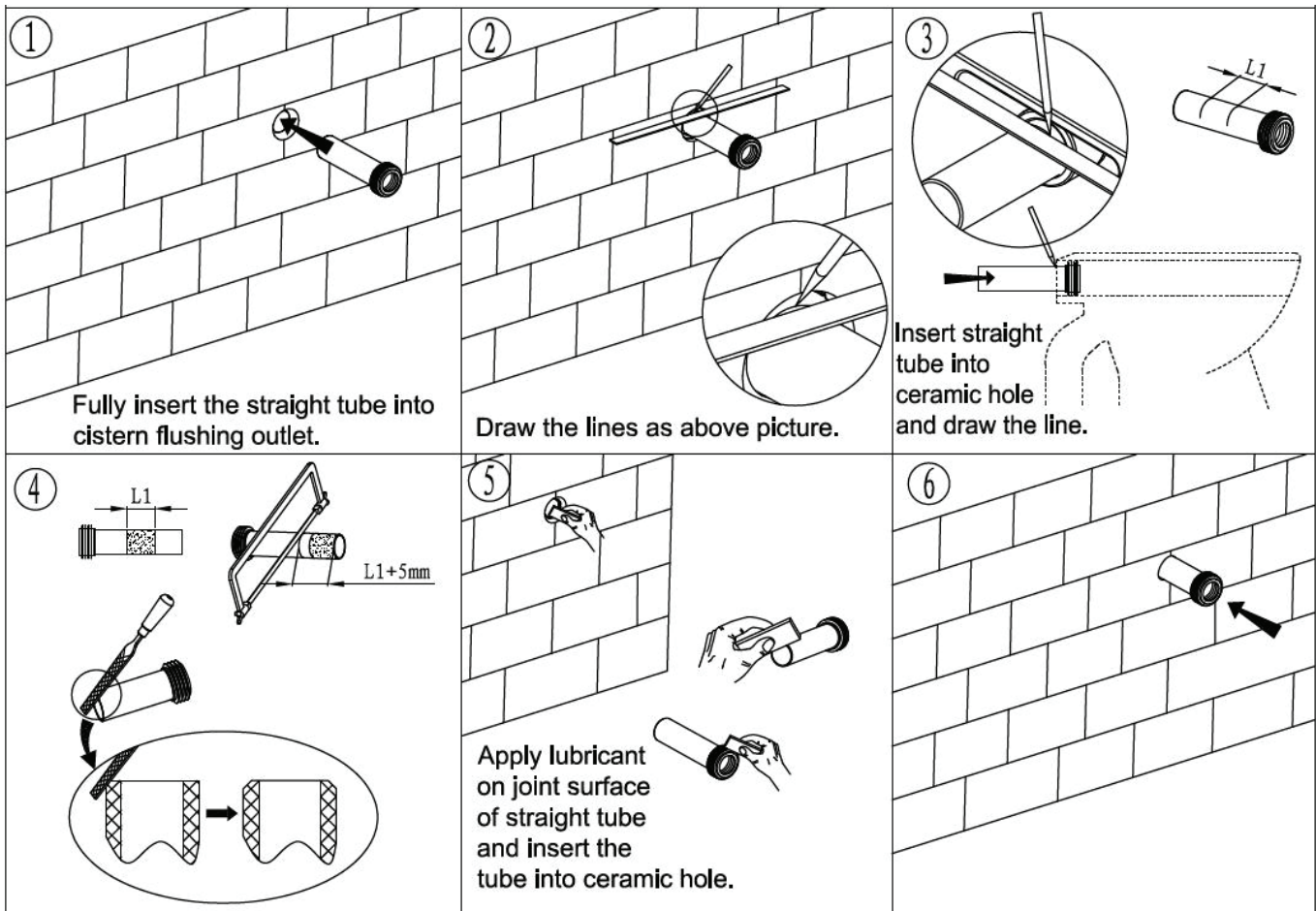


Plastic holder (to reserve space for installation actuator at wall building. To prevent dust impurities into tank at wall building)

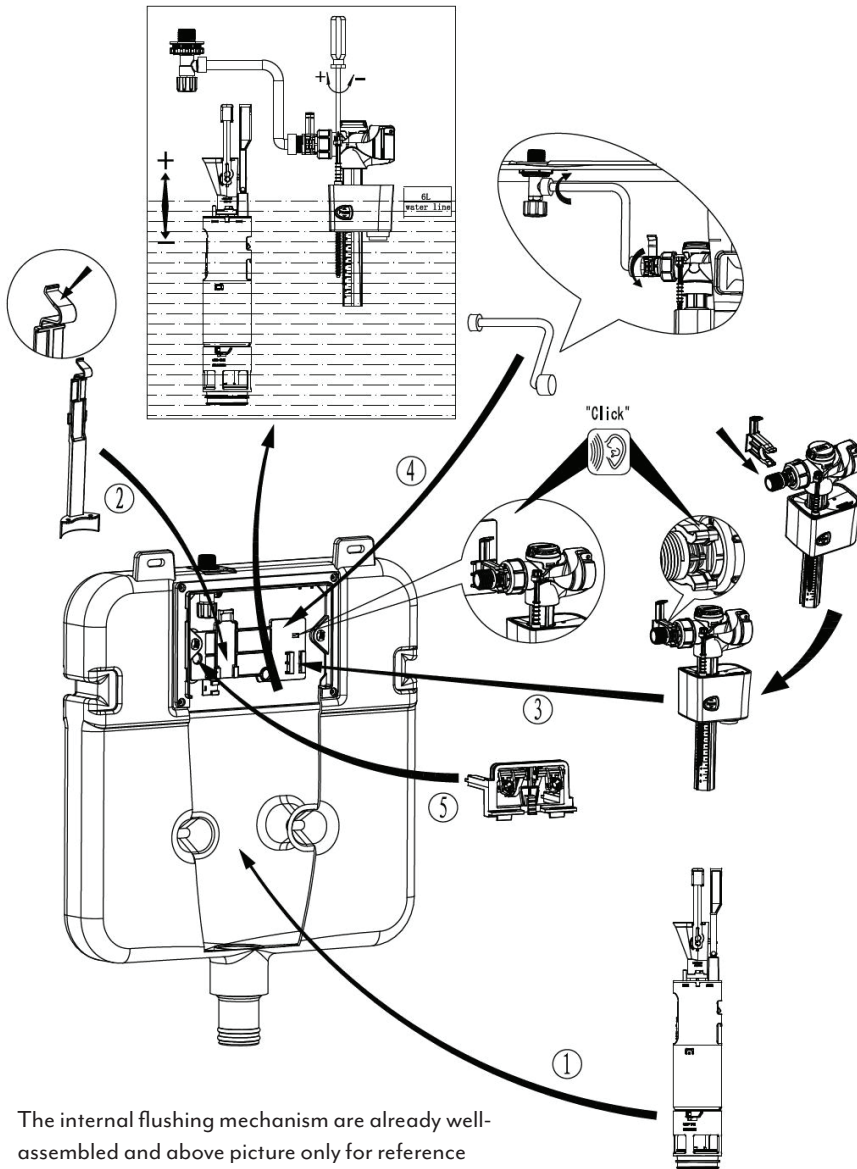
- ⑥ Wall thickness range 20-60mm (from outer exterior of cistern foam cover to finished decorated surface)



- ⑦ Mounting of ceramic bowl



8 Internal flushing mechanism assembly drawing



The internal flushing mechanism are already well-assembled and above picture only for reference

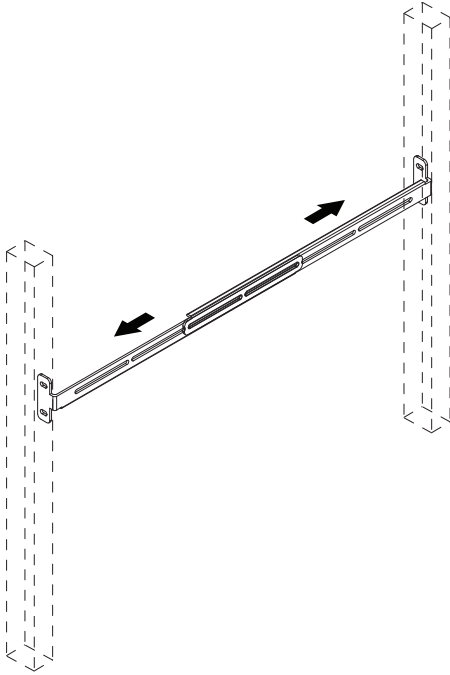
ABI

STUD FIXING BRACKET INSTALLATION

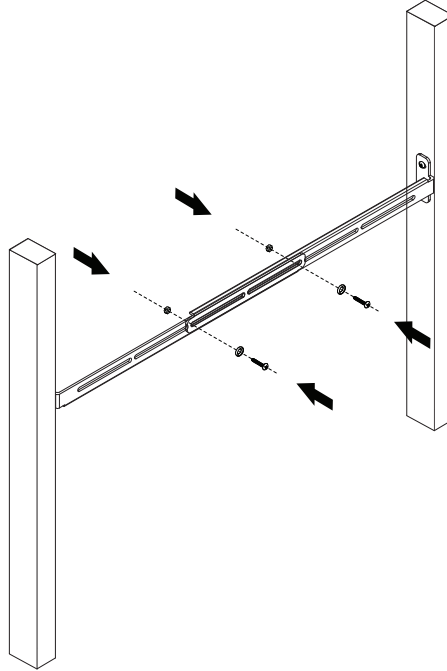


Note: This product must be installed by a licensed tradesperson
This is a general installation guide - there are many factors that are involved that can alter the installation method.

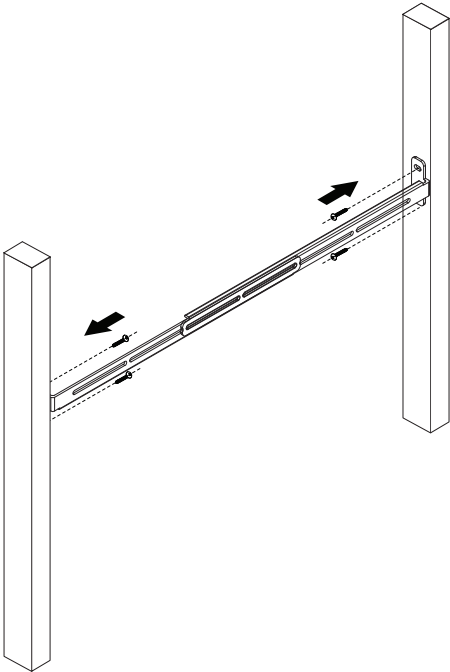
- 1 Ascertain distance between studs by shifting bracket into position.



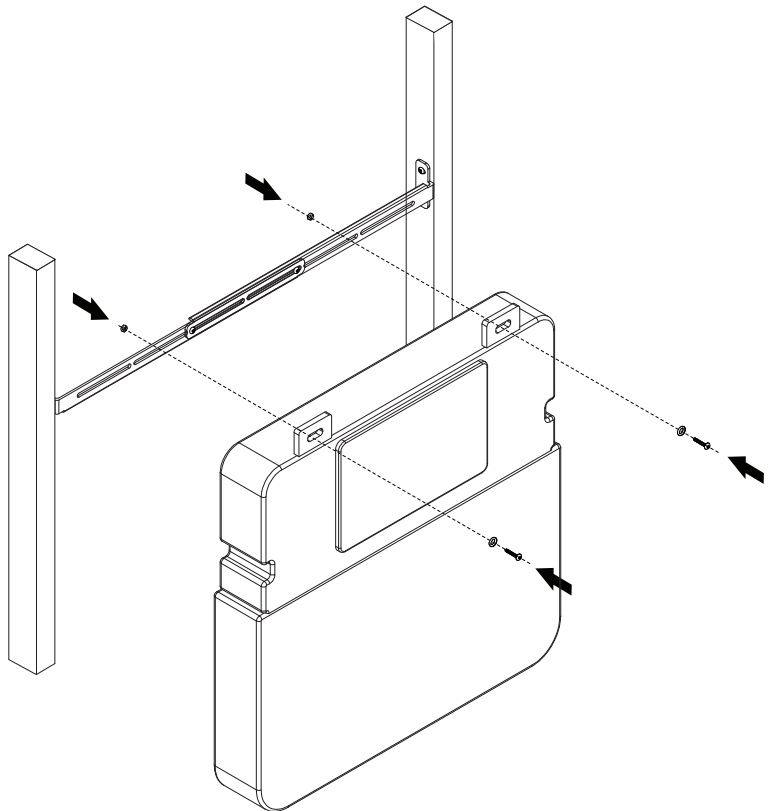
- 2 Secure bracket length position using nuts, bolts and washers provided.






- 3 Fix bracket into stud using timber screws (not provided).



- 4 Mount cistern to fixing bracket using nuts, bolts and washers provided.



Fixings Provided		4x Bolts
		4x Washers
		4x Nuts