

**Note:** Dimensions are nominal measurements only

## SPECIFICATIONS

RECOMMENDED USE

Domestic

MATERIAL

HDPE

TEMPERATURE RATING

Maximum continuous working temperature 75°C  
If the water temperature exceeds 75°C, an approved tempering valve must be fitted

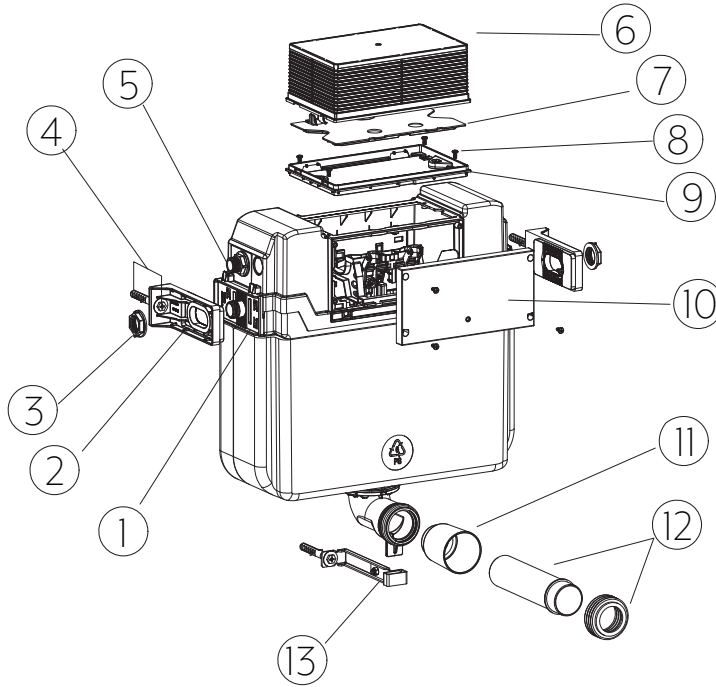
PRESSURE RATING

Recommended minimum working pressure 0.5 Bar  
Recommended maximum working pressure 5 Bar  
Hot and cold water inlet pressure should be equal

# INSTALLATION GUIDE

**Note:** This product must be installed by a licensed plumber. This is a general installation guide - there are many factors involved that can alter the installation method. **AU/NZ:** For installations within Australia and New Zealand, this product must be installed in compliance with AS/NZS 3500. **UK:** For installations in the United Kingdom this product must be installed in compliance with the Water Supply (Water Fittings) Regulations and Water Supply (Water Fittings) (Scotland) Byelaws. **Other:** For installations outside these countries, this product must be installed in compliance with the standards in your respective country.

## IN THE BOX



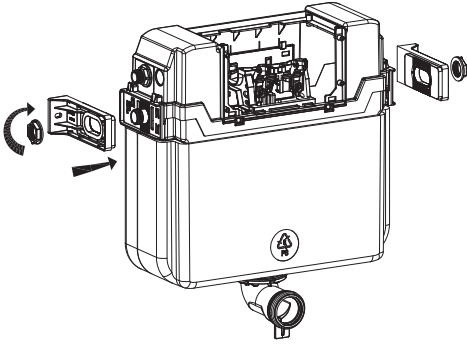
No.	Description	Qty	Function
1	Cistern fixing clip	2	Fix cistern and adjust the distasnce between cistern and wall.
2	Clip base	2	
3	Bevel nut	2	
4	Expansion screw	2	
5	Angle valve	1	Fill valve inlet and shut-off
6	Installation Box	1	When building walls, reserve space for plate installation and prevent dust and other dirt from the cistern
7	Cistern cover	1	Reduce vapour leakage from cistern
8	Self-tapping bolt	4	Be used to fix mounting box bracket and tank lid
9	Installation box holder	1	To fix plastic holder and cistern cover
10	Tank lid	1	To seal the other outlet and avoid dust ingress
11	Piping stopper	1	To reserve space for straight pipe
12	Straight pipe	1	To join cistern into ceramic bowl (cut in accordance to wall thickness)
13	Mounting Bracket	1	Secure cistern

# INSTALLATION GUIDE

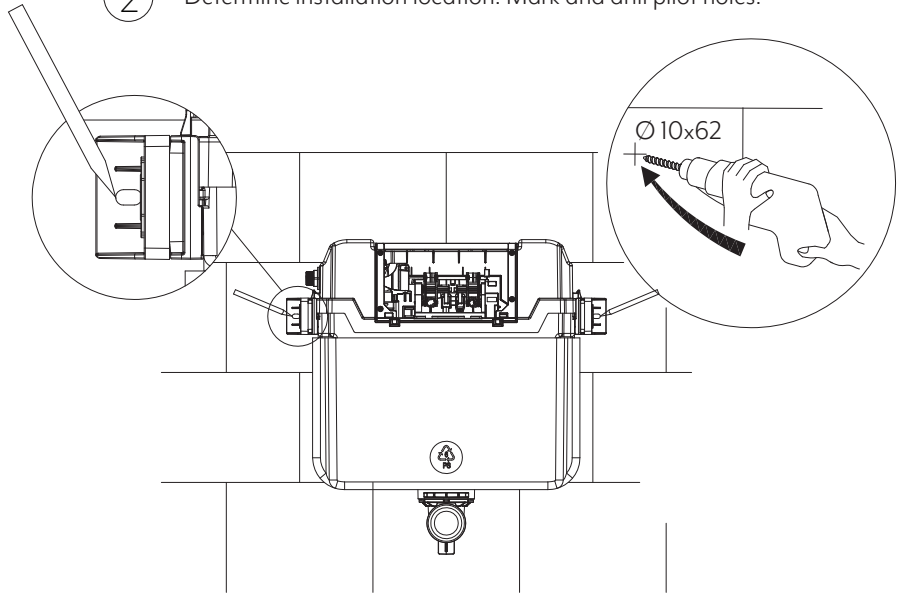
**Note:** This product must be installed by a licensed plumber. This is a general installation guide - there are many factors involved that can alter the installation method. **AU/NZ:** For installations within Australia and New Zealand, this product must be installed in compliance with AS/NZS 3500. **UK:** For installations in the United Kingdom this product must be installed in compliance with the Water Supply (Water Fittings) Regulations and Water Supply (Water Fittings) (Scotland) Byelaws. **Other:** For installations outside these countries, this product must be installed in compliance with the standards in your respective country.



① Install the bevel nut, do not fully secure.



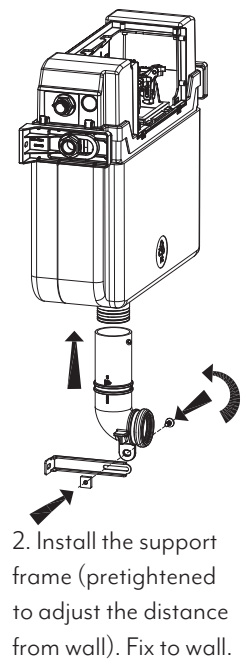
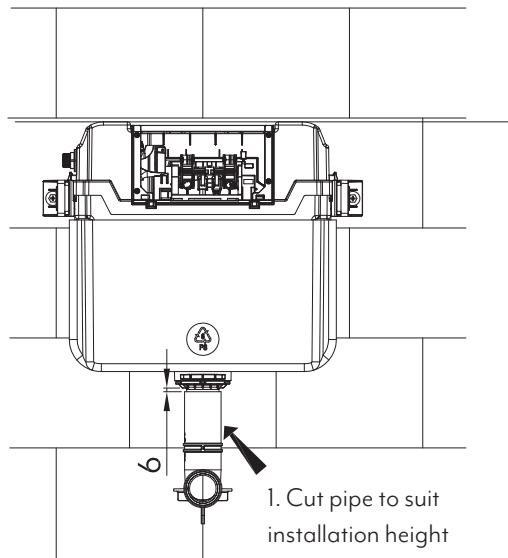
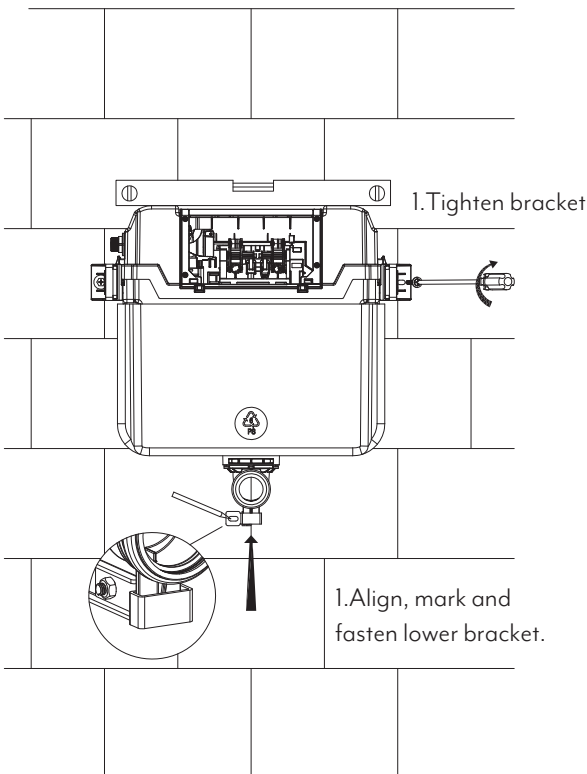
② Determine installation location. Mark and drill pilot holes.



③ SHORT PIPE INSTALL

OR

LONG PIPE INSTALL



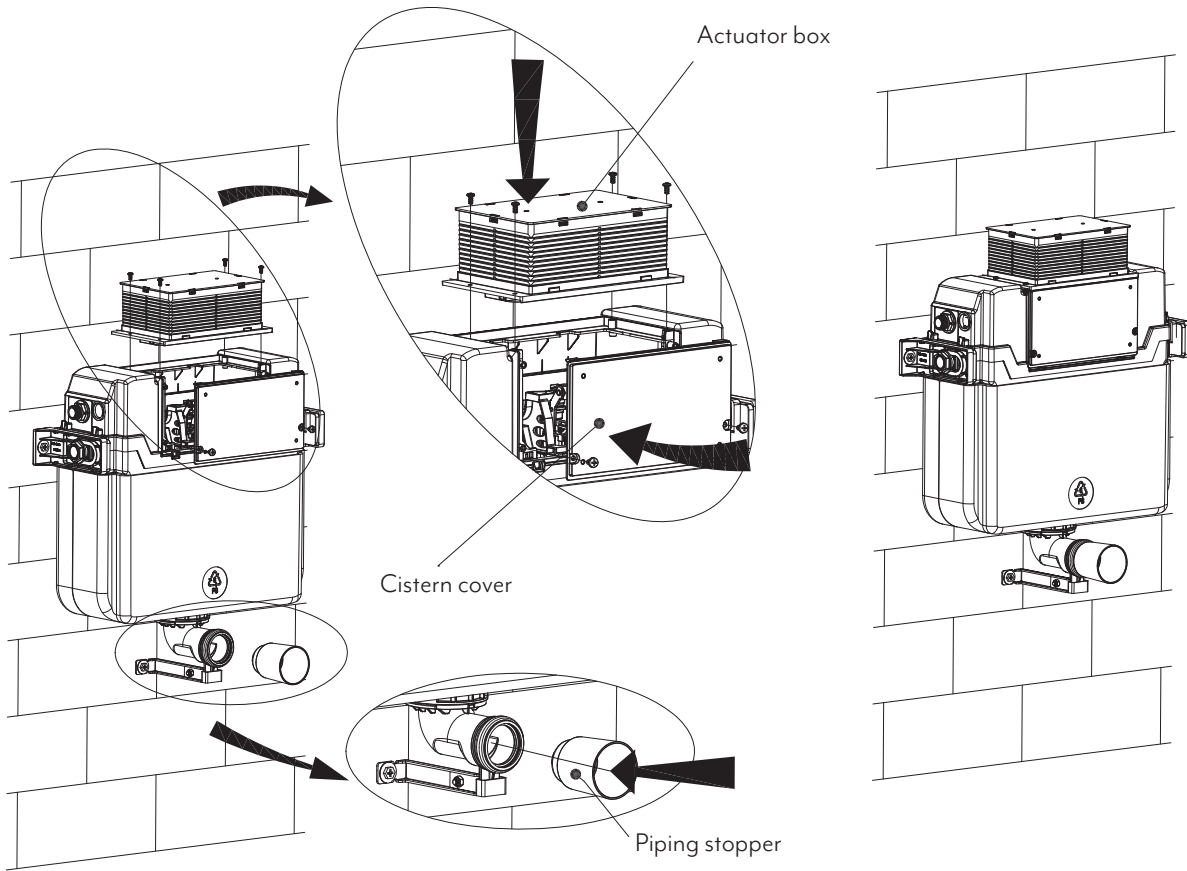
# INSTALLATION GUIDE

**Note:** This product must be installed by a licensed plumber. This is a general installation guide - there are many factors involved that can alter the installation method. **AU/NZ:** For installations within Australia and New Zealand, this product must be installed in compliance with AS/NZS 3500. **UK:** For installations in the United Kingdom this product must be installed in compliance with the Water Supply (Water Fittings) Regulations and Water Supply (Water Fittings) (Scotland) Byelaws. **Other:** For installations outside these countries, this product must be installed in compliance with the standards in your respective country.



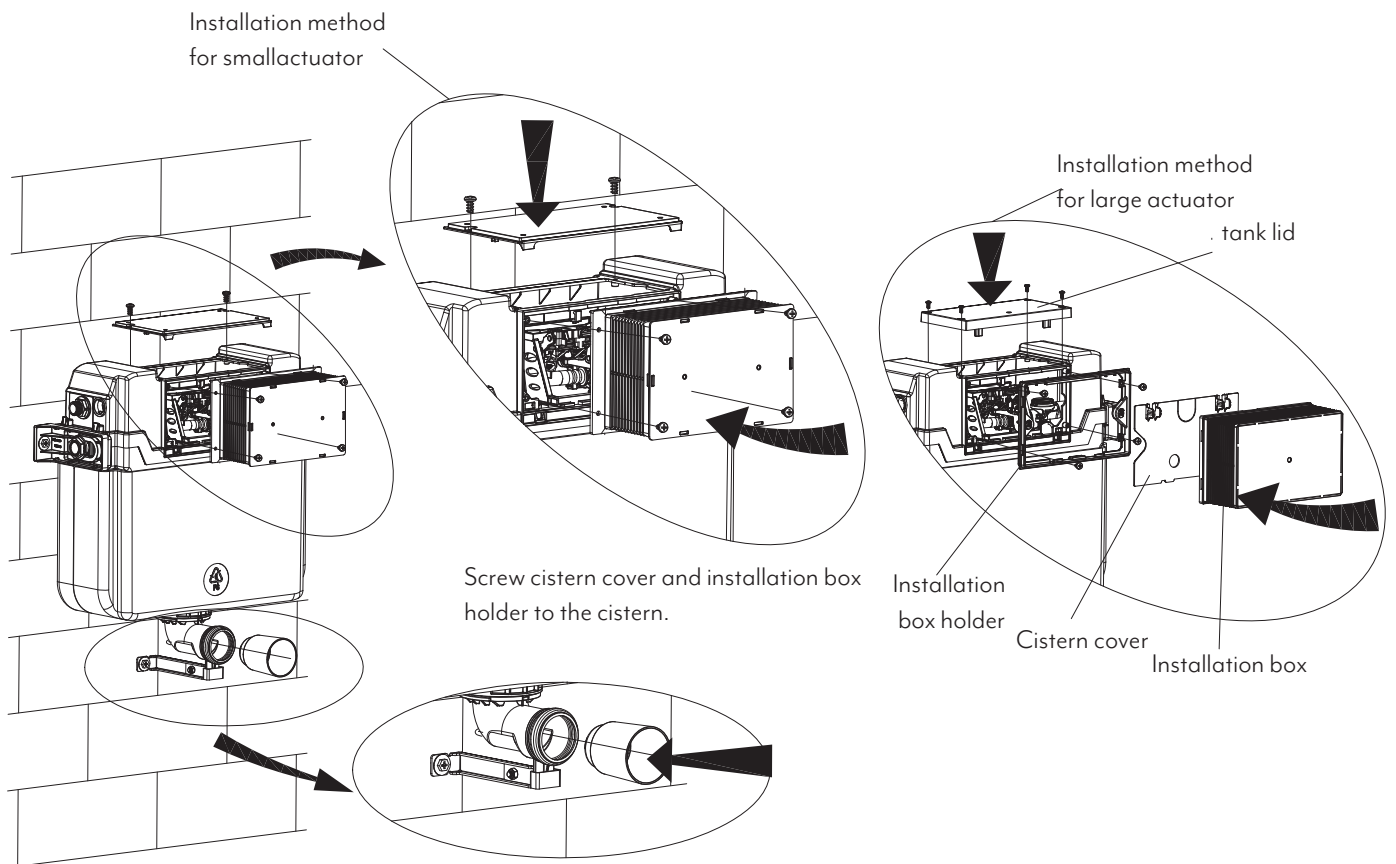
④ Apply required coverings for remaining wall installation.

## TOP BUTTON INSTALL



OR

## FRONT BUTTON INSTALL



# INSTALLATION GUIDE

**Note:** This product must be installed by a licensed plumber. This is a general installation guide - there are many factors involved that can alter the installation method. **AU/NZ:** For installations within Australia and New Zealand, this product must be installed in compliance with AS/NZS 3500. **UK:** For installations in the United Kingdom this product must be installed in compliance with the Water Supply (Water Fittings) Regulations and Water Supply (Water Fittings) (Scotland) Byelaws. **Other:** For installations outside these countries, this product must be installed in compliance with the standards in your respective country.



- 5 Apply required structural framing. Wall thickness to range from 20-70mm. Ensure appropriate location for actuator is accounted for. Finish wall. Test and commission.

