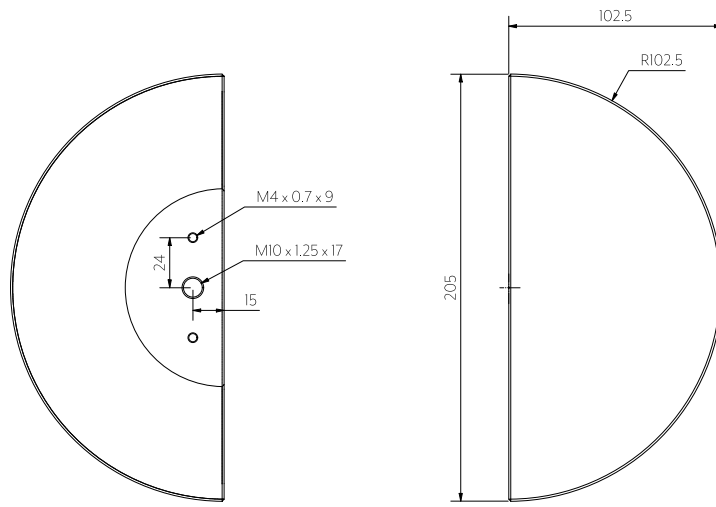


Top View



Back View

Front View

Note: Dimensions are nominal measurements only

SPECIFICATIONS

RECOMMENDED USE

Domestic/ Commercial

MATERIAL

Travertine

MOUNTING HARDWARE INCLUDED

Yes

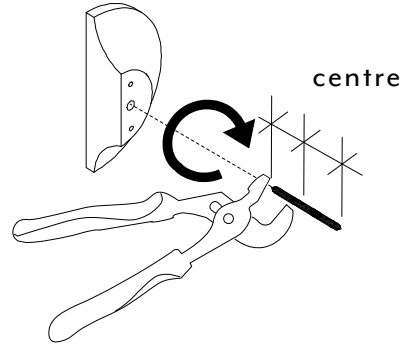
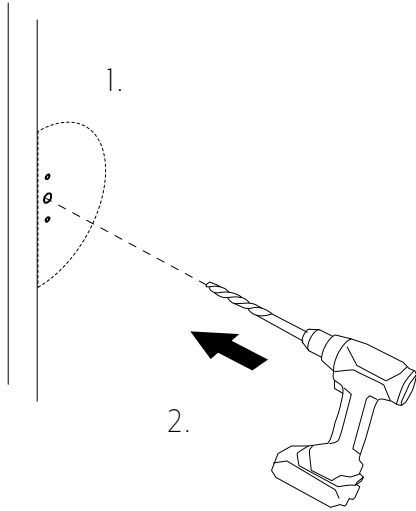
INSTALLATION GUIDE

Note: This product must be installed by a licensed plumber. This is a general installation guide - there are many factors involved that can alter the installation method. **AU/NZ:** For installations within Australia and New Zealand, this product must be installed in compliance with AS/NZS 3500. **UK:** For installations in the United Kingdom this product must be installed in compliance with the Water Supply (Water Fittings) Regulations and Water Supply (Water Fittings) (Scotland) Byelaws. **Other:** For installations outside these countries, this product must be installed in compliance with the standards in your respective country.

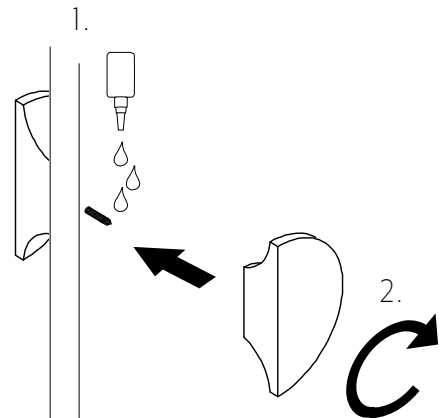
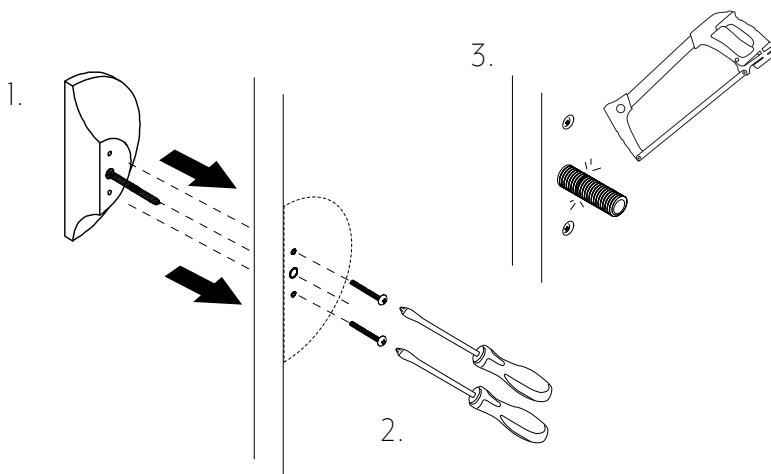


DOUBLE SIDED INSTALLATION

1. Measure and mark out the desired position for handle on both sides of door.
 2. Drill prescribed holes through door for handle fixings
1. Using multi grips fasten threaded bolt into handle.



3. 1. Mount handle by inserting bolt and screws through drilled holes.
2. Using a Phillips head screwdriver to fix screws into handle.
3. Trim the bolt to suit your door thickness ensure there is 15mm of thread sticking out.
4. 1. Apply thread lock adhesive glue to threaded rod end.
2. Screw remaining handle onto bolt until handle is flat and firm against door.



Regularly clean with mild liquid detergent or soap and water.



DO NOT use cream cleaners or bleach. These substances are abrasive.



DO NOT use cleaning pads with abrasive surfaces as this may scratch the material.

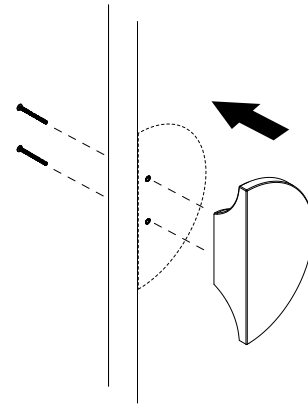
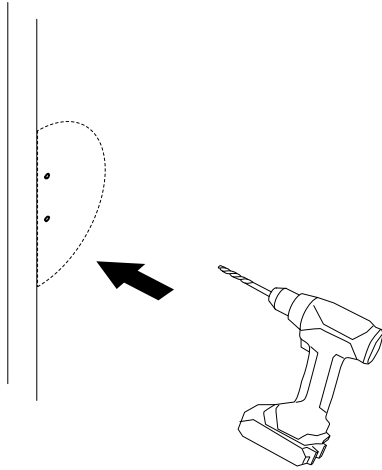
INSTALLATION GUIDE

Note: This product must be installed by a licensed plumber. This is a general installation guide - there are many factors involved that can alter the installation method. **AU/NZ:** For installations within Australia and New Zealand, this product must be installed in compliance with AS/NZS 3500. **UK:** For installations in the United Kingdom this product must be installed in compliance with the Water Supply (Water Fittings) Regulations and Water Supply (Water Fittings) (Scotland) Byelaws. **Other:** For installations outside these countries, this product must be installed in compliance with the standards in your respective country.



SINGLE SIDED INSTALLATION

1. Measure and mark out the desired position for handle on both sides of door.
2. Drill prescribed holes through door for handle fixings.



Regularly clean with mild liquid detergent or soap and water.



DO NOT use cream cleaners or bleach. These substances are abrasive.



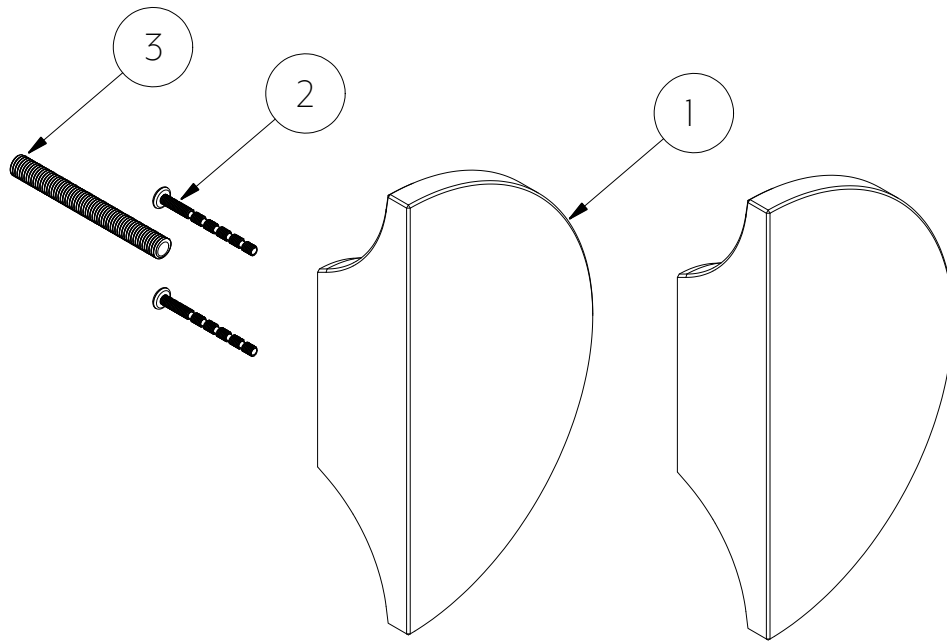
DO NOT use cleaning pads with abrasive surfaces as this may scratch the material.

INSTALLATION GUIDE

Note: This product must be installed by a licensed plumber. This is a general installation guide - there are many factors involved that can alter the installation method. **AU/NZ:** For installations within Australia and New Zealand, this product must be installed in compliance with AS/NZS 3500. **UK:** For installations in the United Kingdom this product must be installed in compliance with the Water Supply (Water Fittings) Regulations and Water Supply (Water Fittings) (Scotland) Byelaws. **Other:** For installations outside these countries, this product must be installed in compliance with the standards in your respective country.



In The Box



In The Box	
1. Handle	x2
2. Snap-off bolt	x4
3. Fixing bolt	x1



Regularly clean with mild liquid detergent or soap and water.



DO NOT use cream cleaners or bleach. These substances are abrasive.



DO NOT use cleaning pads with abrasive surfaces as this may scratch the material.