

Note: Dimensions are nominal measurements only

SPECIFICATIONS

RECOMMENDED USE | WARRANTY

Domestic/Commercial | [Click here for warranty periods](#)

MATERIAL

Solid Brass

TEMPERATURE RATING

Intended for use with cold water

PRESSURE RATING

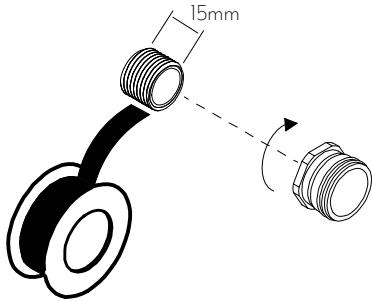
Recommended minimum working pressure 150kPa
Recommended maximum working pressure 500kPa

INSTALLATION GUIDE

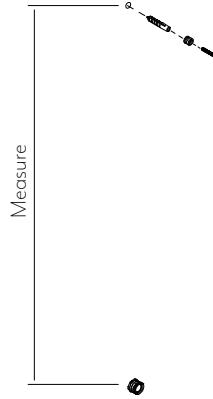
Note: This product must be installed by a licensed plumber. This is a general installation guide - there are many factors involved that can alter the installation method. **AU/NZ:** For installations within Australia and New Zealand, this product must be installed in compliance with AS/NZS 3500. **UK:** For installations in the United Kingdom this product must be installed in compliance with the Water Supply (Water Fittings) Regulations and Water Supply (Water Fittings) (Scotland) Byelaws. **Other:** For installations outside these countries, this product must be installed in compliance with the standards in your respective country.



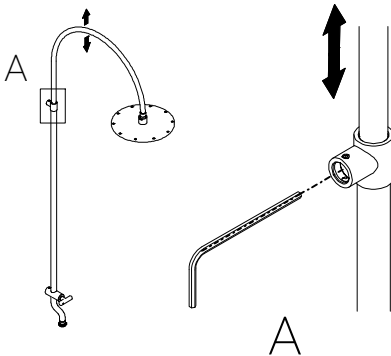
① Screw on the thread adapter. Use appropriate thread sealant.



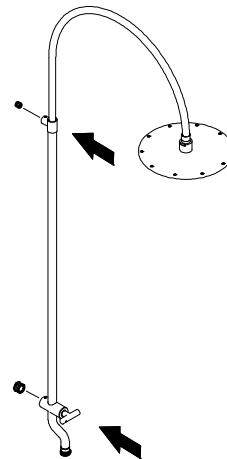
② Measure and prepare the hole for the fixing. Fix to the wall.



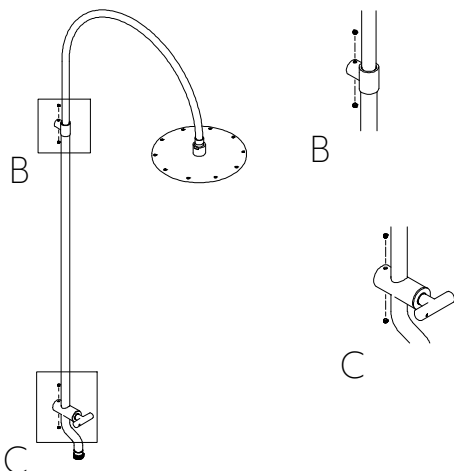
③ Adjust the height of the shower head. Do this by loosening the grub screw and sliding the rail up or down. Once happy, tighten the grub screw.



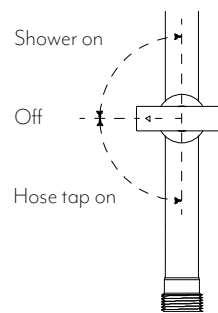
④ Push the shower set onto the wall fixing and the water connection.



⑤ Fasten the grub screws.



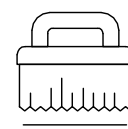
⑥ Test and commission.



Regularly clean with mild liquid detergent or soap and water



DO NOT use cream cleaners or bleach. These substances are abrasive



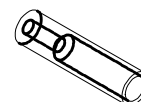
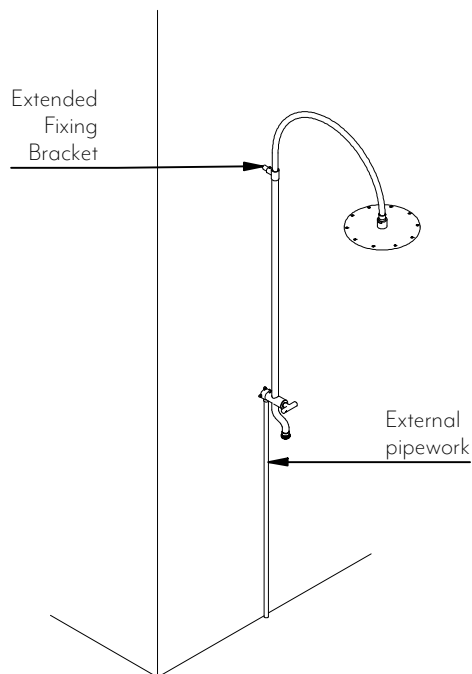
DO NOT use cleaning pads with abrasive surfaces as this may scratch the material

INSTALLATION GUIDE

Note: This product must be installed by a licensed plumber. This is a general installation guide - there are many factors involved that can alter the installation method. **AU/NZ:** For installations within Australia and New Zealand, this product must be installed in compliance with AS/NZS 3500. **UK:** For installations in the United Kingdom this product must be installed in compliance with the Water Supply (Water Fittings) Regulations and Water Supply (Water Fittings) (Scotland) Byelaws. **Other:** For installations outside these countries, this product must be installed in compliance with the standards in your respective country.

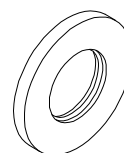
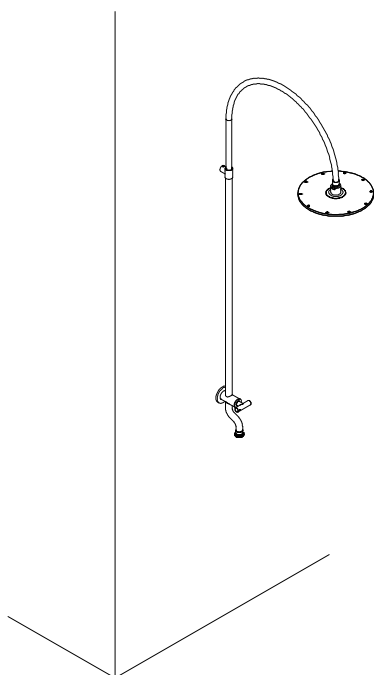


Installation with external connecting pipework



Extended Fixing Bracket
(close up view)

Installation with backplate to conceal internals



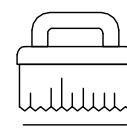
Backplate
(close up view)



Regularly clean with mild liquid detergent or soap and water



DO NOT use cream cleaners or bleach. These substances are abrasive



DO NOT use cleaning pads with abrasive surfaces as this may scratch the material

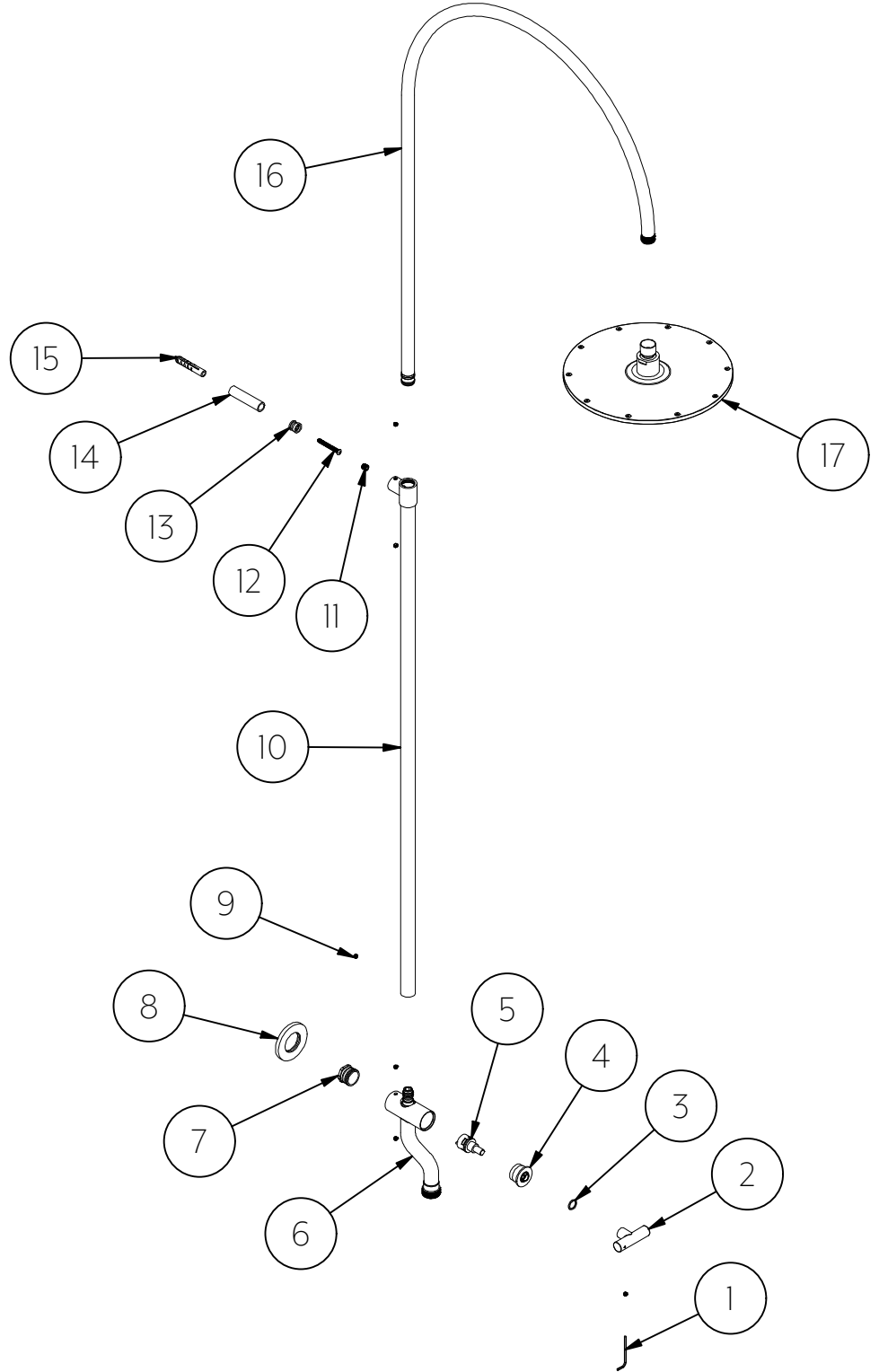
INSTALLATION GUIDE

Note: This product must be installed by a licensed plumber. This is a general installation guide - there are many factors involved that can alter the installation method. **AU/NZ:** For installations within Australia and New Zealand, this product must be installed in compliance with AS/NZS 3500. **UK:** For installations in the United Kingdom this product must be installed in compliance with the Water Supply (Water Fittings) Regulations and Water Supply (Water Fittings) (Scotland) Byelaws. **Other:** For installations outside these countries, this product must be installed in compliance with the standards in your respective country.



In The Box

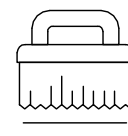
1. Allen key
2. Handle
3. Slip collar
4. Locking nut
5. Cartridge
6. Hose tap
7. Thread adapter
8. Backplate
9. Grub screw x6
10. Rail
11. Large grub screw
12. Fixing screw
13. Wall bracket
14. Extended fixing bracket
15. Wall plug
16. Gooseneck
17. Showerhead



Regularly clean with mild liquid detergent or soap and water



DO NOT use cream cleaners or bleach. These substances are abrasive



DO NOT use cleaning pads with abrasive surfaces as this may scratch the material