

**Note:** Dimensions are nominal measurements only

## SPECIFICATIONS

RECOMMENDED USE | WARRANTY

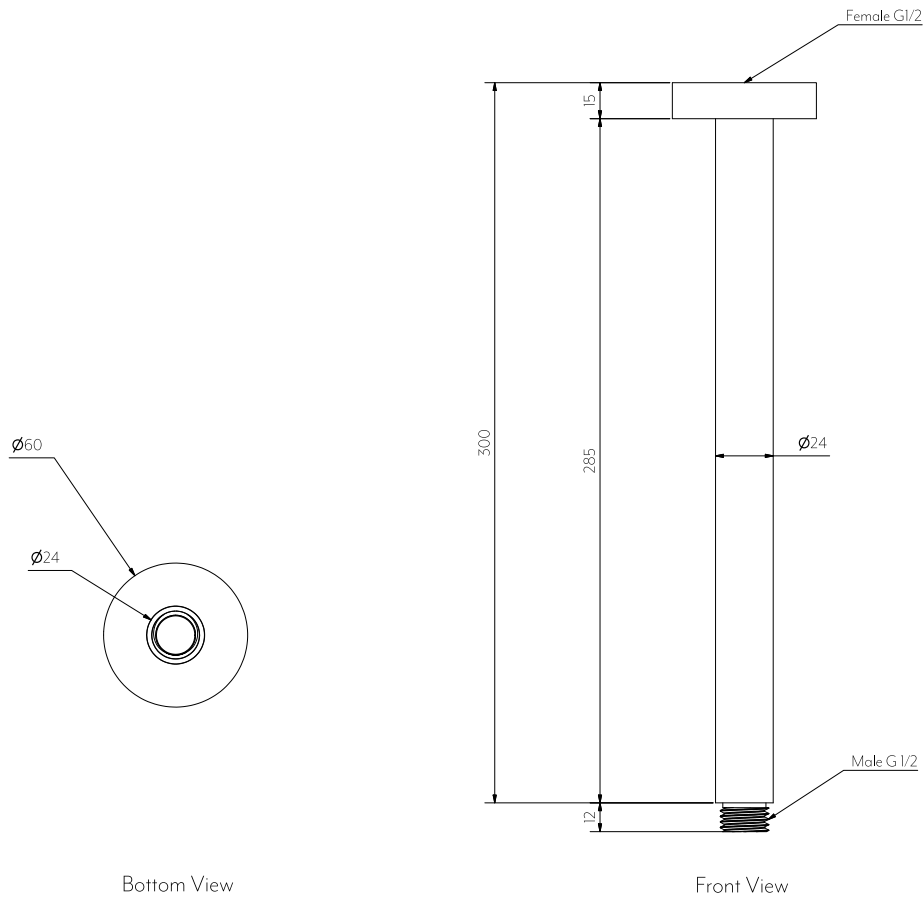
Domestic/Commercial | [Click here for warranty periods](#)

BOX

Box 1: Shower Dropper Round 300mm  
Box 2: Shower Head Round 250mm

STANDARDS

WELS 3 star, 9L/min, S45044



**Note:** Dimensions are nominal measurements only

## SPECIFICATIONS

### RECOMMENDED USE

Domestic/Commercial

### MATERIAL

Solid Brass

### TEMPERATURE RATING

Maximum continuous working temperature 75°C  
If the water temperature exceeds 75°C, an approved tempering valve must be fitted

### PRESSURE RATING

Recommended minimum working pressure 150kPa  
Recommended maximum working pressure 500kPa  
Hot and cold water inlet pressure should be equal

### SUITABLE HOT WATER UNITS

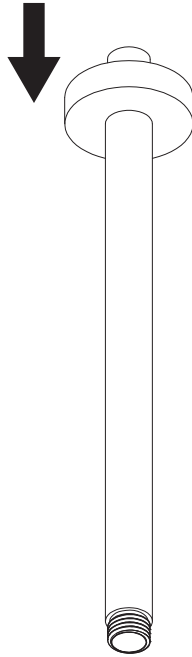
Storage tank: Yes  
Continuous Flow: Yes  
Gravity Feed: Not suitable

# INSTALLATION GUIDE

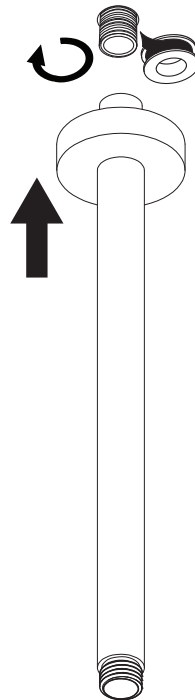
**Note:** This product must be installed by a licensed plumber. This is a general installation guide - there are many factors involved that can alter the installation method. **AU/NZ:** For installations within Australia and New Zealand, this product must be installed in compliance with AS/NZS 3500. **UK:** For installations in the United Kingdom this product must be installed in compliance with the Water Supply (Water Fittings) Regulations and Water Supply (Water Fittings) (Scotland) Byelaws. **Other:** For installations outside these countries, this product must be installed in compliance with the standards in your respective country.



- 1 Slide back plate onto spout. Ensure o-ring is firmly gripping the spout and creating a tight seal.



- 2 Apply the teflon tape to the brass nipple. Twist the spout on and hand tighten. Push back plate to the wall surface.



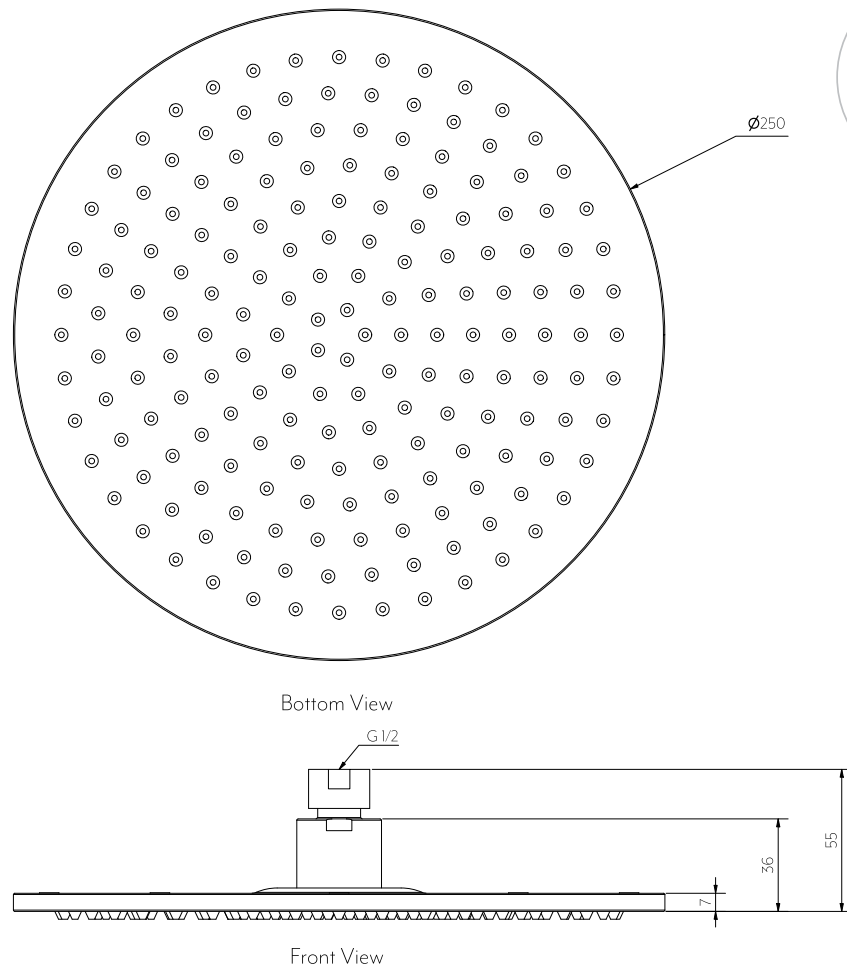
Regularly clean with mild liquid detergent or soap and water.



DO NOT use cream cleaners or bleach. These substances are abrasive.



DO NOT use cleaning pads with abrasive surfaces as this may scratch the material.



**Note: Dimensions are nominal measurements only**

## SPECIFICATIONS

### RECOMMENDED USE

Domestic

### MATERIAL

Solid Brass

### TEMPERATURE RATING

Maximum continuous working temperature 75°C  
If the water temperature exceeds 75°C, an approved tempering valve must be fitted

### PRESSURE RATING

Recommended minimum working pressure 150kPa  
Recommended maximum working pressure 500kPa  
Hot and cold water inlet pressure should be equal

### SUITABLE HOT WATER UNITS

Storage tank: Yes  
Continuous Flow: Yes  
Gravity Feed: Not suitable

### STANDARDS

WELS 3 Star, 8.5L/min, S16493

# INSTALLATION GUIDE

**Note:** This product must be installed by a licensed plumber. This is a general installation guide - there are many factors involved that can alter the installation method. **AU/NZ:** For installations within Australia and New Zealand, this product must be installed in compliance with AS/NZS 3500. **UK:** For installations in the United Kingdom this product must be installed in compliance with the Water Supply (Water Fittings) Regulations and Water Supply (Water Fittings) (Scotland) Byelaws. **Other:** For installations outside these countries, this product must be installed in compliance with the standards in your respective country.

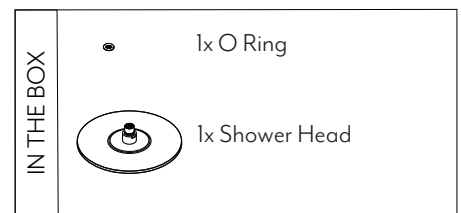
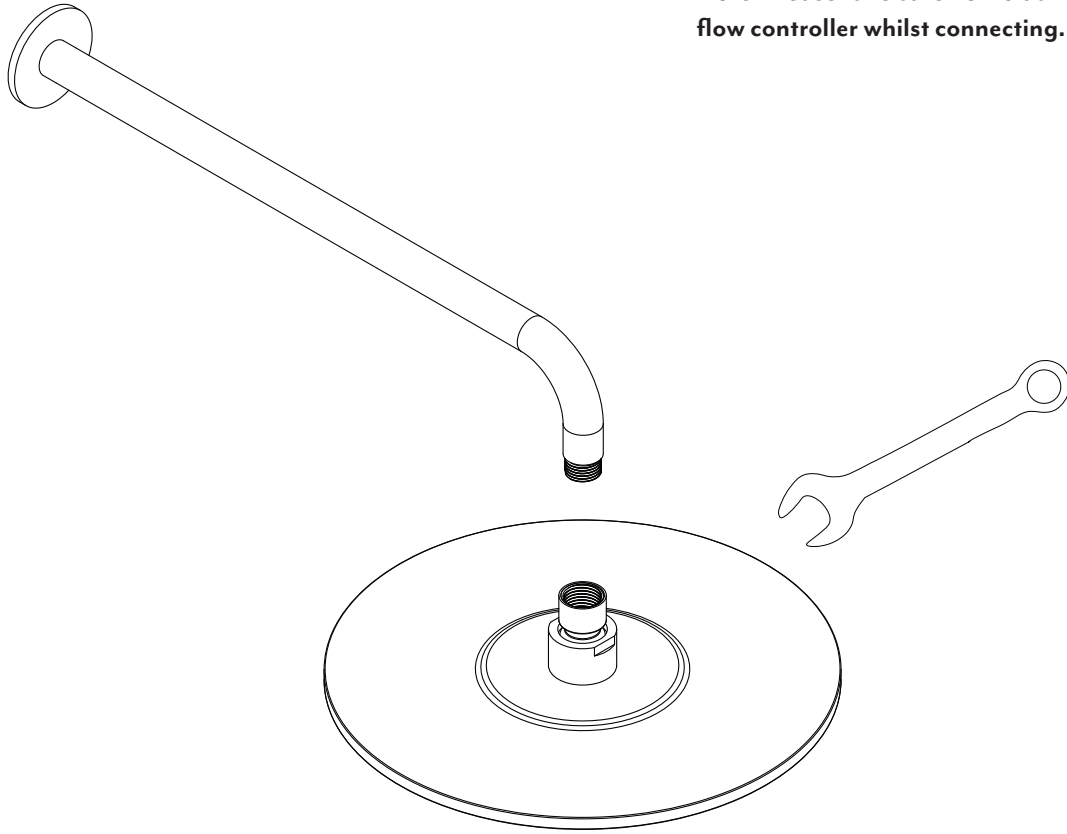


1 Ensure o-ring is fitted inside the ball joint connector.

2 Fasten ball joint and shower head to arm with spanner using a cloth to ensure not to damage finish.

\*Shower arm and back plate not included.

**Note: Please take care not to damage the flow controller whilst connecting.**



Regularly clean with mild liquid detergent or soap and water



DO NOT use cream cleaners or bleach. These substances are abrasive



DO NOT use cleaning pads with abrasive surfaces as this may scratch the material