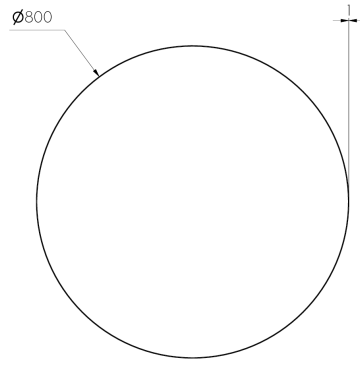


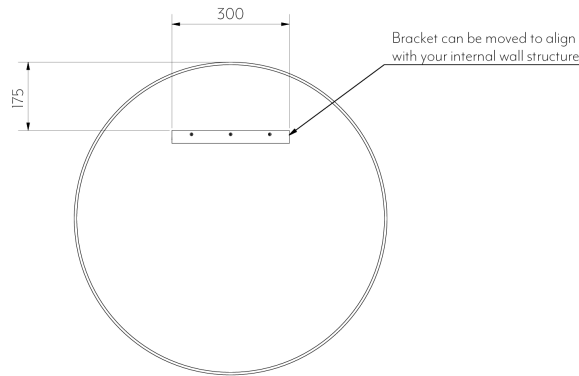
ROUND MIRROR 800MM - SOLID BRASS



Front View



Side View



Back View

Note: Dimensions are nominal measurements only

SPECIFICATIONS

RECOMMENDED USE

Domestic

MATERIAL

Solid Brass

MOUNTING HARDWARE INCLUDED

Yes 2x Phillips head screws and plugs

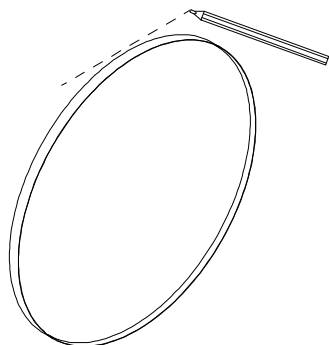
INSTALLATION GUIDE

This product must be installed by a licensed tradesperson.

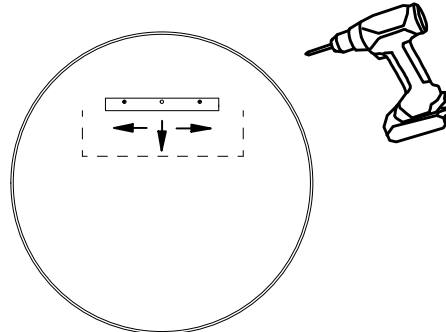
This is a general installation guide - there are many factors that are involved that can alter the installation method. This product install must comply with the standards in your respective country and must be adhered to by your licensed tradesperson.

- ① Choose a suitable location for your mirror.

Note: The wall bracket must be installed into adequate wall structure.

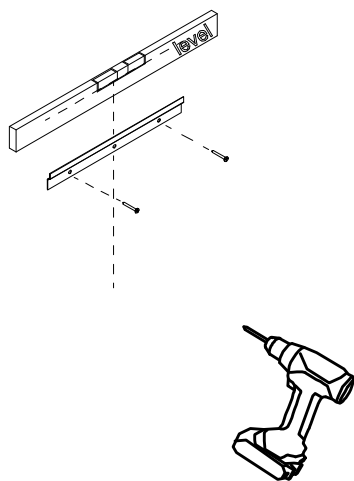


- ② If necessary you can reposition the bracket to align with your wall's internal structure. Be sure to keep within the dashed bounding box.

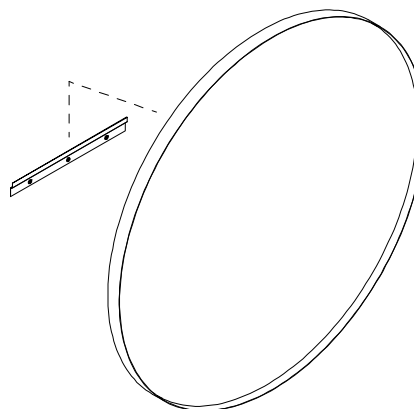



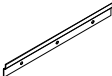


- ③ Fix the wall bracket to the wall. Be sure to offset the bracket from the top mark.

Note: The supplied fixings are for timber and cement you will need to purchase alternative fixing screws if your wall is a different construction.



- ④ Attach the mirror. Ensure the brackets interlock and that the mirror is secure.



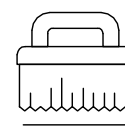
| In The Box | |
|-------------------------------------------------------------------------------------|-------------------------|
|  | 1x Mirror |
|  | 1x Wall Brackets |
|  | 2x Fixing Screws (30mm) |
|  | 2x Plugs |



Regularly clean with mild liquid detergent or soap and water



DO NOT use cream cleaners or bleach. These substances are abrasive



DO NOT use cleaning pads with abrasive surfaces as this may scratch the material