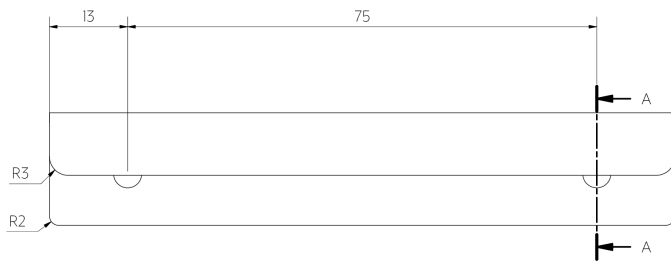
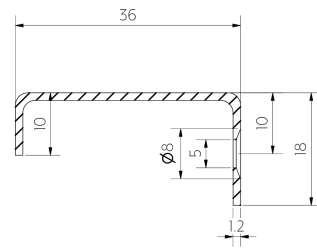


Top View



Front View



Section A-A

Note: Dimensions are nominal measurements only

SPECIFICATIONS

RECOMMENDED USE

Domestic

MATERIAL

Solid Brass

MOUNTING HARDWARE INCLUDED

Yes 2x Screws

FIXING DISTANCE

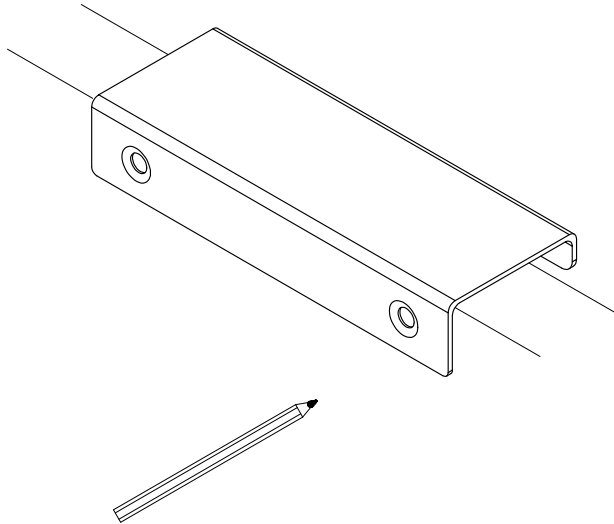
75mm (centre to centre)

INSTALLATION GUIDE

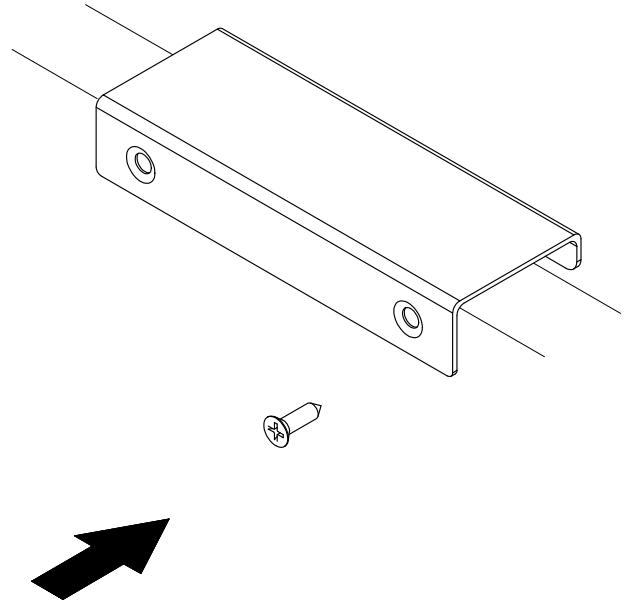
This product must be installed by a licensed tradesperson. This is a general installation guide - there are many factors that are involved that can alter the installation method. This product install must comply with the standards in your respective country and must be adhered to by your licensed tradesperson.

ABI
INTERIORS

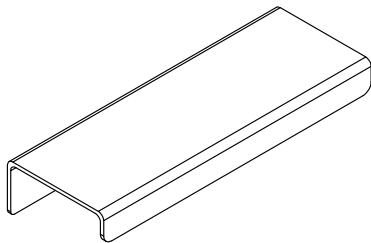
- ① Choose cabinetry pull install location and mark fixing location.



- ② Check your cabinetry thickness to ensure the fixing screws provided are appropriate. Fix the pull to the cabinetry using the screws provided.



IN THE BOX



1x Rappana cabinetry pull



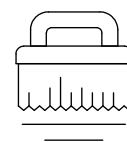
2x 16mm Fixing screws



Regularly clean with mild liquid detergent or soap and water



DO NOT use cream cleaners or bleach. These substances are abrasive



DO NOT use cleaning pads with abrasive surfaces as this may scratch the material