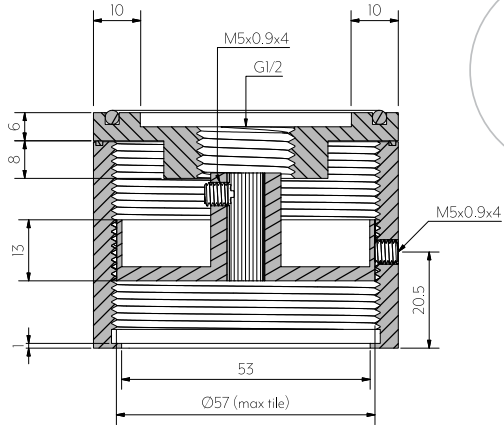
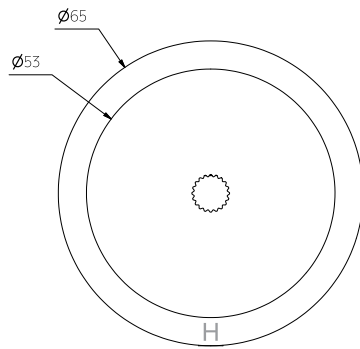


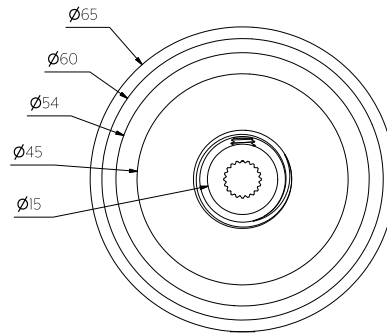
Top View



A-A



Front View



Back View

Note: Dimensions are nominal measurements only

SPECIFICATIONS

RECOMMENDED USE

Domestic

MATERIAL

Solid Brass

TEMPERATURE RATING

Maximum continuous working temperature 75°C
If the water temperature exceeds 75°C, an approved tempering valve must be fitted

PRESSURE RATING

Recommended minimum working pressure 150kPa
Recommended maximum working pressure 500kPa
Hot and cold water inlet pressure should be equal

SUITABLE HOT WATER UNITS

Storage tank: Yes
Continuous Flow: Yes
Gravity Feed: Not suitable

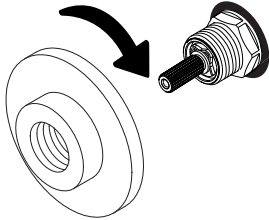
INSTALLATION GUIDE

Note: This product must be installed by a licensed plumber.
 This is a general installation guide - there are many factors that are involved that can alter the installation method. This product install must comply with AS/NZS 3500.

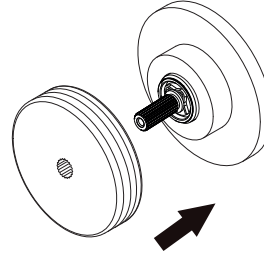


IMPORTANT: Spindle set backs are critical, refer to following pages for more details

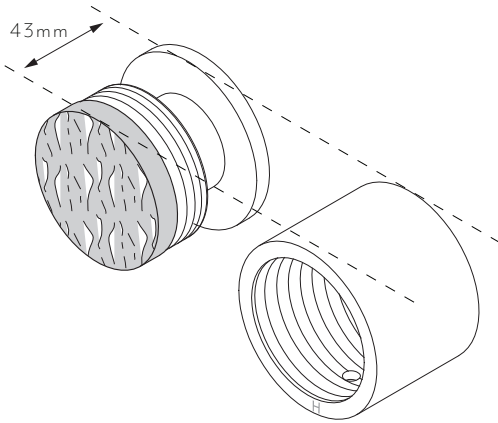
1 Screw backplate onto spindle & tighten firmly.



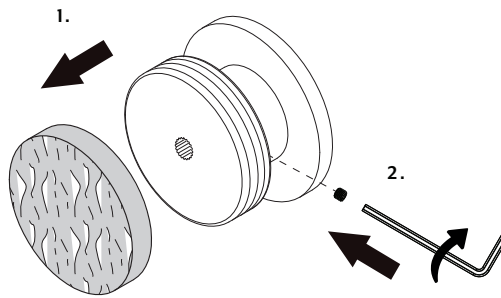
2 Mount spindle attachment to spindle. ***IMPORTANT:** Ensure spindles are in the off position, turn clockwise to turn off cold and anti-clockwise for hot



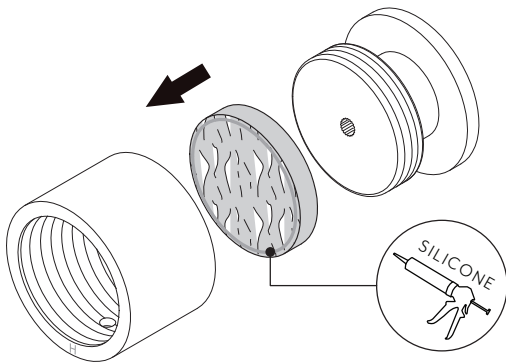
3 Place cut tile on face of the spindle attachment, push both back until it is aligned with the inner face of the handle (43mm).



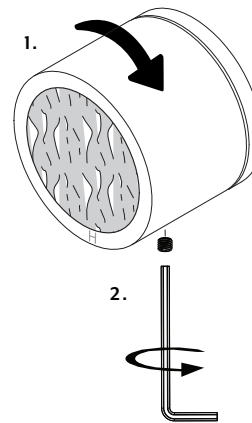
4 1. Remove tile from spindle attachment.
 2. Fix spindle attachment into position by inserting and tightening M5 grub screw using the allen key provided.



5 Put a small amount of silicone on the front perimeter of the tile and push into handle.



6 1. Screw handle onto the spindle attachment.
 2. Fix handle into position by inserting and tightening the grub screw using allen key.



How to orientate H/C symbol.

At step 6 note where the symbol is located when the handle is in the off position. Mark with a pencil the position it needs to be. Return to step 2 and rotate the base plate by the referenced amount.

IN THE BOX						
	Handle x2	Backplate x2	Spindle Attachment x2	Diamond Hole Saw x1	5mm Allen key x1	M5 Grub Screw x4



Regularly clean with mild liquid detergent or soap and water



DO NOT use cream cleaners or bleach. These substances are abrasive



DO NOT use cleaning pads with abrasive surfaces as this may scratch the material