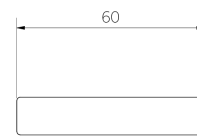


Top View



Front View



Side View

**Note:** Dimensions are nominal measurements only

## SPECIFICATIONS

### RECOMMENDED USE

Domestic / Commercial

### MATERIAL

Stainless Steel 304

### MOUNTING HARDWARE INCLUDED

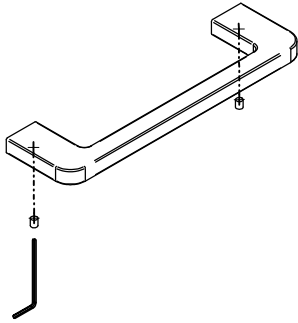
4 x screws, 4 x wall plugs

# INSTALLATION GUIDE

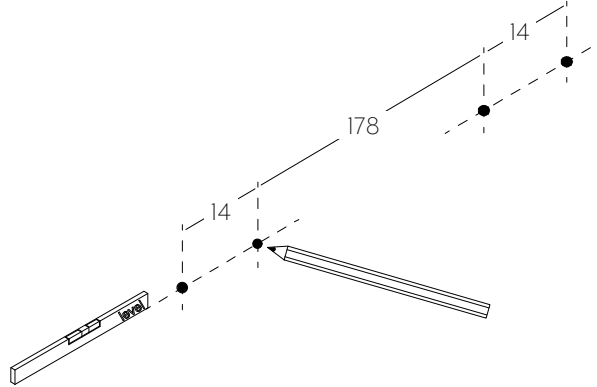
**Note:** This product must be installed by a licensed plumber. This is a general installation guide - there are many factors involved that can alter the installation method. **AU/NZ:** For installations within Australia and New Zealand, this product must be installed in compliance with AS/NZS 3500. **UK:** For installations in the United Kingdom this product must be installed in compliance with the Water Supply (Water Fittings) Regulations and Water Supply (Water Fittings) (Scotland) Byelaws. **Other:** For installations outside these countries, this product must be installed in compliance with the standards in your respective country.



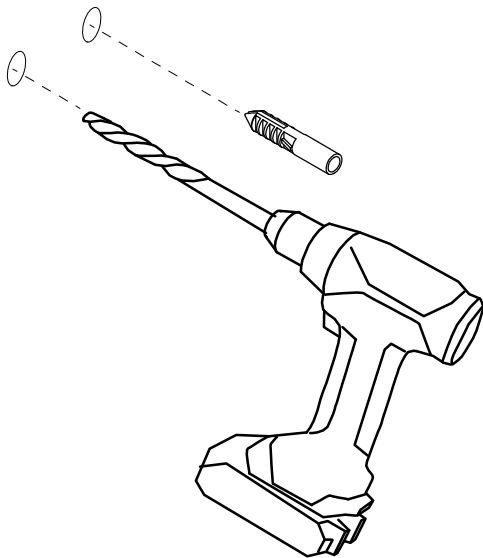
- ① Remove grub screws and brackets from hand towel rail.



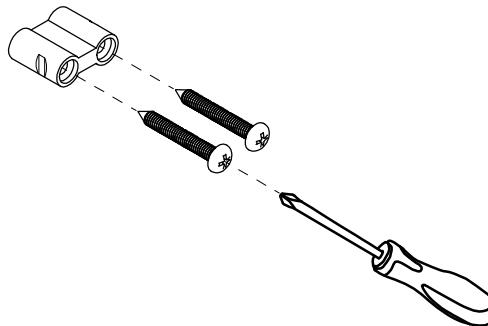
- ② Mark out installation holes, ensuring that they are level.



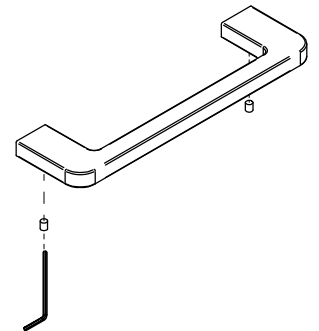
- ③ Drill out holes with appropriate drill bit and install plugs into wall.



- ④ Install bracket onto plugs using provided screws.

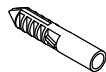


- ⑤ Install hand towel rail onto brackets and tighten grub screws with provided Allen key.

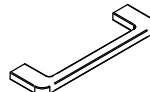


## IN THE BOX

4 x Wall plug



1 x Hand towel rail



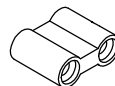
1 x Allen key



4 x Screw



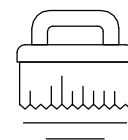
2 x Fixing bracket



Regularly clean with mild liquid detergent or soap and water



DO NOT use cream cleaners or bleach. These substances are abrasive



DO NOT use cleaning pads with abrasive surfaces as this may scratch the material