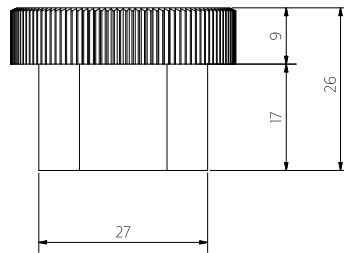
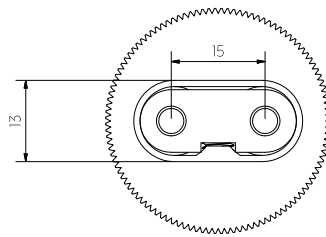


Front View



Top View



Back View

Note: Dimensions are nominal measurements only

SPECIFICATIONS

RECOMMENDED USE Domestic

MATERIAL Solid Brass

MOUNTING HARDWARE INCLUDED
30mm screw x 2
M5 25mm bolt x2
Wall plug x2

FIXING DISTANCE 15mm

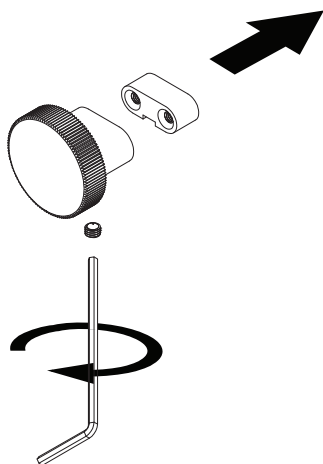
INSTALLATION GUIDE

This product must be installed by a licensed tradesperson. This is a general installation guide - there are many factors that are involved that can alter the installation method. This product install must comply with the standards in your respective country and must be adhered to by your licensed tradesperson.

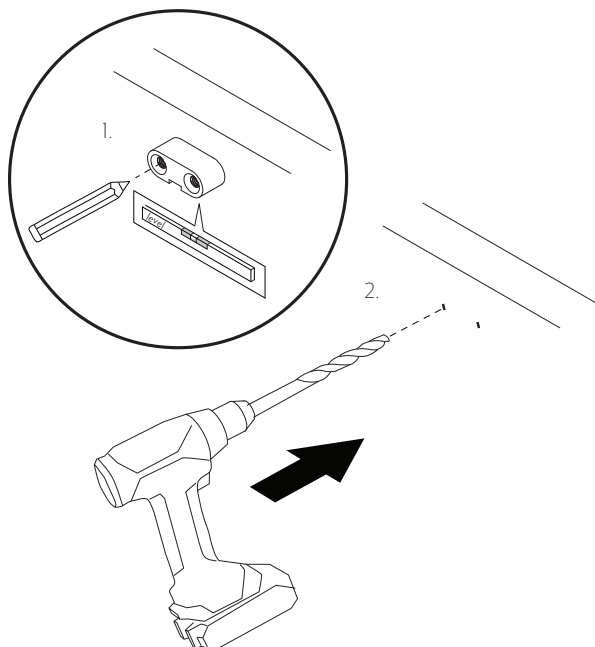


CABINETY PULL INSTALLATION

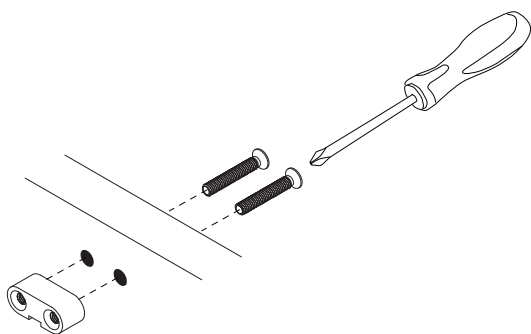
① Using the Allen key provided disassemble the cabinetry pull.



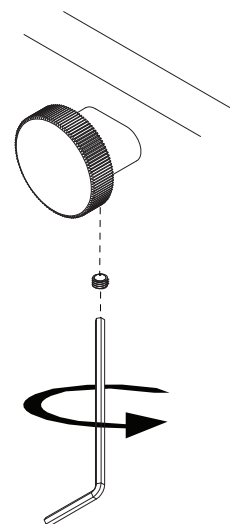
② 1. Use the fixing bracket to mark out desired fixing location.
2. Drill holes accordingly.



③ Using the fixing bolts provided, fix bracket to cabinet.



④ Using the Allen key provided, fix cabinetry pull to cabinet.



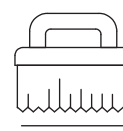
IN THE BOX			
1x Robe hook/cab pull	1x Fixing bracket	1x Grub screw	
2x Cab pull fixing bolt	2x Robe hook fixing screw	2x Wall plugs	1x Allen key



Regularly clean with mild liquid detergent or soap and water



DO NOT use cream cleaners or bleach. These substances are abrasive



DO NOT use cleaning pads with abrasive surfaces as this may scratch the material

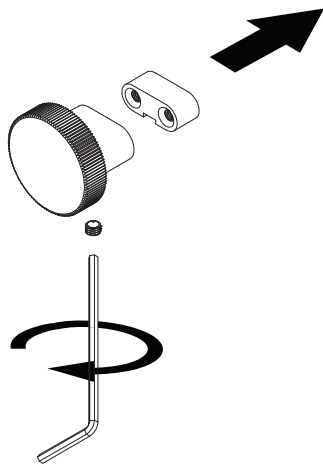
INSTALLATION GUIDE



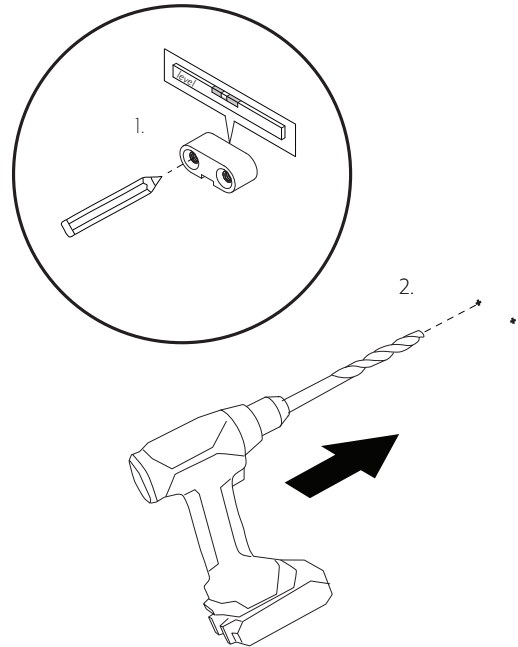
This product must be installed by a licensed tradesperson. This is a general installation guide - there are many factors that are involved that can alter the installation method. This product install must comply with the standards in your respective country and must be adhered to by your licensed tradesperson.

ROBE HOOK INSTALLATION

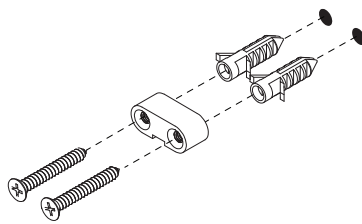
① Using the Allen key provided disassemble the robe hook.



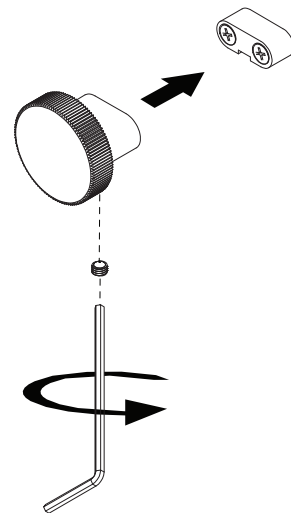
② 1. Use the fixing bracket to mark out desired fixing location.
2. Drill pilot holes accordingly.



③ Depending on the wall construction, insert wall plugs and fasten fixing bracket to wall with supplied fixing screws.



④ Place robe hook over fixing bracket and using the Allen key provided, fix robe hook to the fixing bracket.



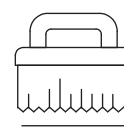
IN THE BOX			
1x Robe hook/cab pull	1x Fixing bracket	1x Grub screw	
2x Cab pull fixing bolt	2x Robe hook fixing screw	2x Wall plugs	1x Allen key



Regularly clean with mild liquid detergent or soap and water



DO NOT use cream cleaners or bleach. These substances are abrasive



DO NOT use cleaning pads with abrasive surfaces as this may scratch the material