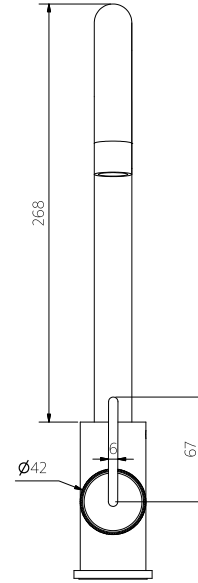


Side View



Front View

Note: Dimensions are nominal measurements only

SPECIFICATIONS

RECOMMENDED USE

Domestic/Commercial

MATERIAL

Solid Brass

PRESSURE RATING

Recommended minimum working pressure 150kPa
Recommended maximum working pressure 500kPa
Hot and cold water inlet pressure should be equal

TEMPERATURE RATING

Maximum continuous working temperature 75°C
If the water temperature exceeds 75°C, an approved tempering valve must be fitted

SUITABLE HOT WATER UNITS

Storage tank: Yes
Continuous flow: Yes
Gravity feed: Not suitable

STANDARDS

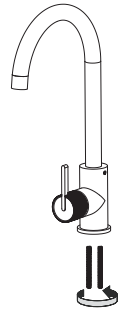
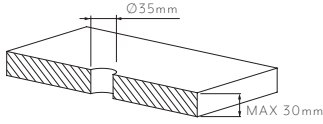
WELS 5 Star, 6L/min, T41708

INSTALLATION GUIDE

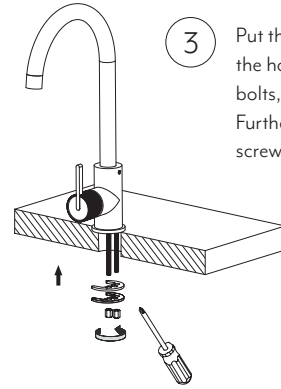


Note: This product must be installed by a licensed plumber. This is a general installation guide - there are many factors involved that can alter the installation method. **AU/NZ:** For installations within Australia and New Zealand, this product must be installed in compliance with AS/NZS 3500. **UK:** For installations in the United Kingdom this product must be installed in compliance with the Water Supply (Water Fittings) Regulations and Water Supply (Water Fittings) (Scotland) Byelaws. **Other:** For installations outside these countries, this product must be installed in compliance with the standards in your respective country.

1 Drill a 35mm hole in desired install location.

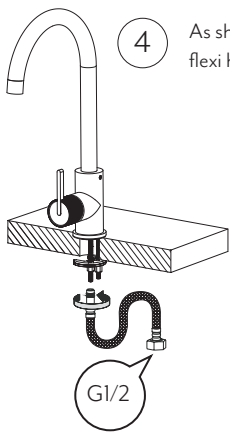


2 Fix the bolts to the bottom of the body, hand tighten.

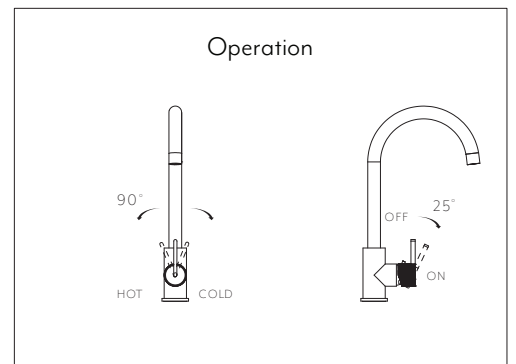
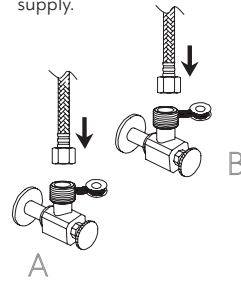


3 Put the mixer into the hole. Pass the horseshoe plates through the bolts, fasten the nuts and tighten. Further tighten bolts with a screwdriver.

4 As shown in left figure, connect the flexi hoses.

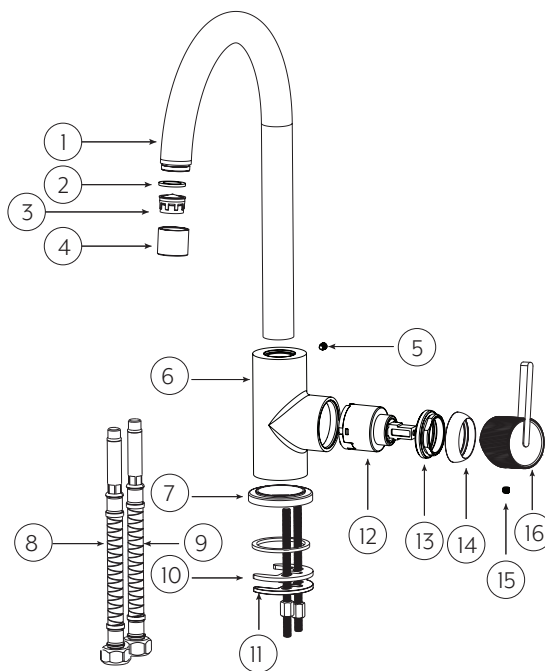


5 Attach the two flexible hoses to water supply.



What's in the Box

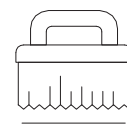
- 1 Spout
- 2 Rubber O-ring
- 3 Aerator
- 4 Spout tip
- 5 Grub screw
- 6 Body
- 7 Dress ring
- 8-9 Flexible hoses
- 10 Rubber shoe plate
- 11 Horse shoe plate
- 12 Cartridge
- 13 Locking nut
- 14 Dome
- 15 Grub screw
- 16 Handle



Regularly clean with mild liquid detergent or soap and water



DO NOT use cream cleaners or bleach. These substances are abrasive



DO NOT use cleaning pads with abrasive surfaces as this may scratch the material