

Note: Dimensions are nominal measurements only

SPECIFICATIONS

RECOMMENDED USE Domestic

MATERIAL Brass

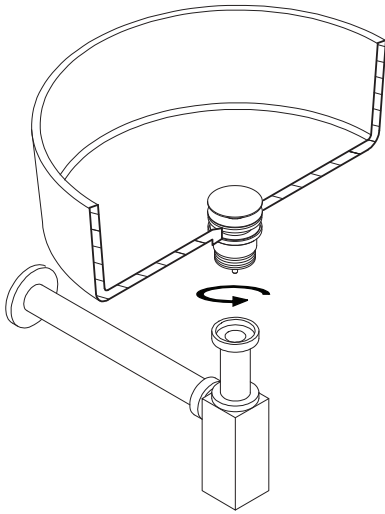
ADJUSTABLE Yes

INSTALLATION GUIDE

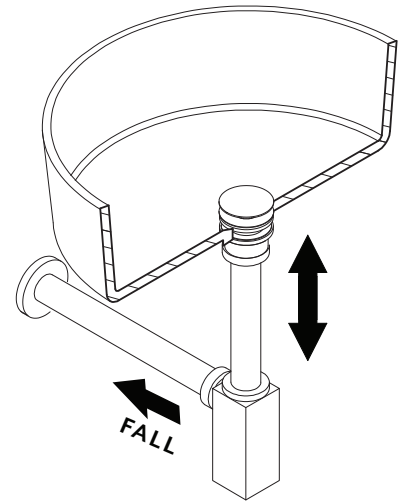
Note: This product must be installed by a licensed plumber. This is a general installation guide - there are many factors that are involved that can alter the installation method. The standards in your respective country must be adhered to by your licensed tradesperson



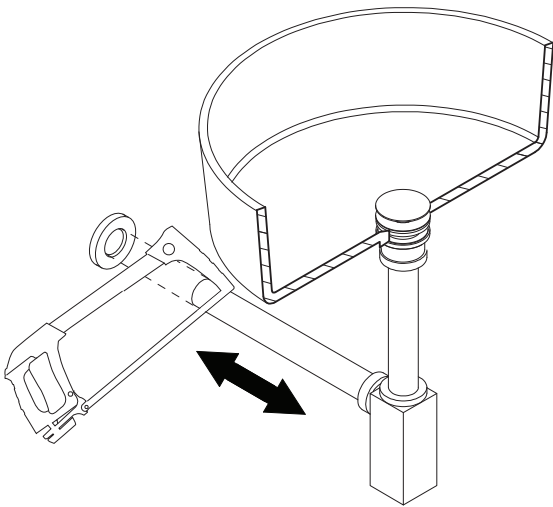
- 1 Attach bottle trap to pop up thread.
Note: Use adaptor for 32mm thread



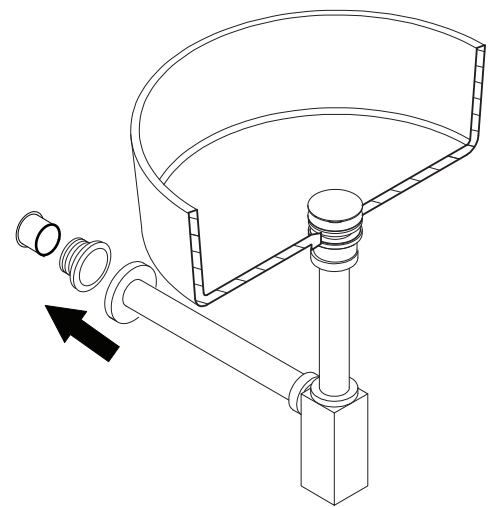
- 2 Adjust inlet pipe to suit waste.
Note: Allow for fall.



- 3 Cut waste pipe to suit.



- 4 Engage kee seal into 40mm socket.



- 5 Assemble trap and tighten all components.
Test for leakage.

