

Side View

Note: Dimensions are nominal measurements only

SPECIFICATIONS

RECOMMENDED USE Domestic

MATERIAL Brass

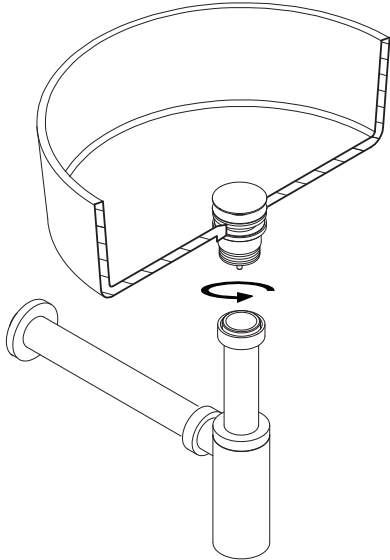
ADJUSTABLE Yes

INSTALLATION GUIDE

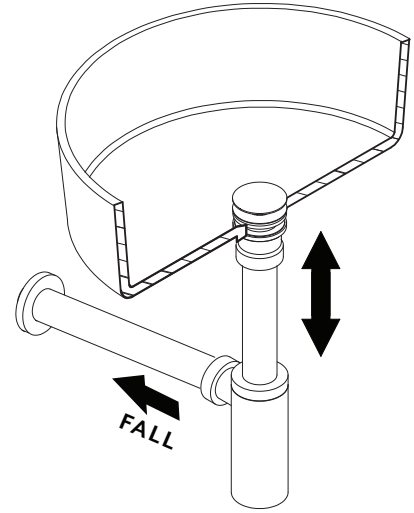
Note: This product must be installed by a licensed plumber. This is a general installation guide - there are many factors involved that can alter the installation method. **AU/NZ:** For installations within Australia and New Zealand, this product must be installed in compliance with AS/NZS 3500. **UK:** For installations in the United Kingdom this product must be installed in compliance with the Water Supply (Water Fittings) Regulations and Water Supply (Water Fittings) (Scotland) Byelaws. **Other:** For installations outside these countries, this product must be installed in compliance with the standards in your respective country.



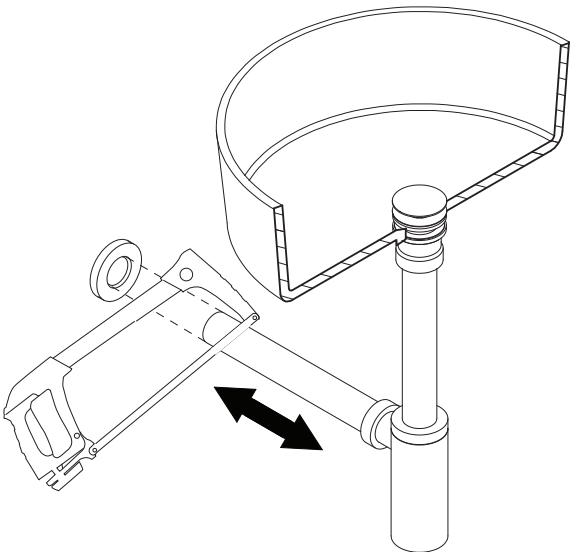
- ① Attach bottle trap to pop up thread.
Note: Use adaptor for 32mm thread.



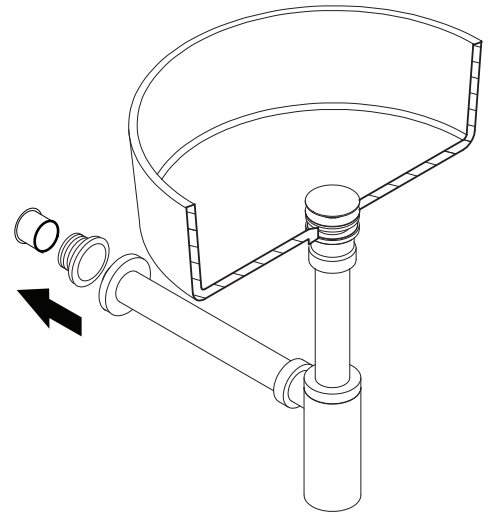
- ② Adjust inlet pipe to suit waste.
Note: Allow for fall.



- ③ Cut waste pipe to suit.



- ④ Engage kee seal into 40mm socket.



- ⑤ Assemble trap and tighten all components.
Test for leakage.

