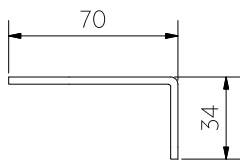
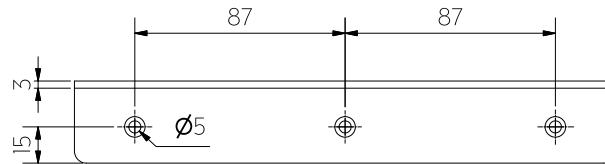


Top View



Side View



Front View

Note: Dimensions are nominal measurements only

SPECIFICATIONS

RECOMMENDED USE

Domestic/Commercial

MATERIAL

304 Stainless Steel

MOUNTING HARDWARE INCLUDED

Yes, 3x Phillips Head Masonry Screw/ 3x Wall Plug

FIXING DISTANCE

87mm (centre to centre)

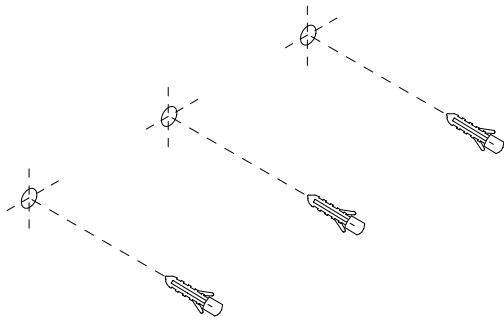
INSTALLATION GUIDE

Note: This product must be installed by a licensed tradesperson.
This is a general installation guide - there are many factors that are involved that can alter the installation method.
This product install must comply with the standards in your respective country and must be adhered to by your licensed tradesperson.

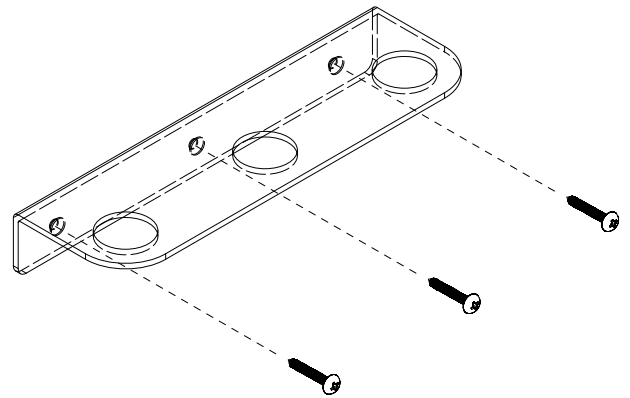


ABI takes no responsibility if your product is not secured to adequate wall structure.

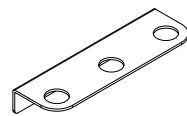
① Mark out the desired position for the soap holder. Drill holes in desired position and insert wall plugs.



② Fix soap holder to the wall.



IN THE BOX



1x Lira Triple



3x Screws



3x Wall Plugs



Regularly clean with mild liquid detergent or soap and water.



DO NOT use cream cleaners or bleach. These substances are abrasive.



DO NOT use cleaning pads with abrasive surfaces as this may scratch the material.