

Note: Dimensions are nominal measurements only

SPECIFICATIONS

RECOMMENDED USE

Domestic

MATERIAL

Solid Brass

INSTALLATION GUIDE

Note: This product must be installed by a licensed plumber. This is a general installation guide - there are many factors involved that can alter the installation method. **AU/NZ:** For installations within Australia and New Zealand, this product must be installed in compliance with AS/NZS 3500. **UK:** For installations in the United Kingdom this product must be installed in compliance with the Water Supply (Water Fittings) Regulations and Water Supply (Water Fittings) (Scotland) Byelaws. **Other:** For installations outside these countries, this product must be installed in compliance with the standards in your respective country.

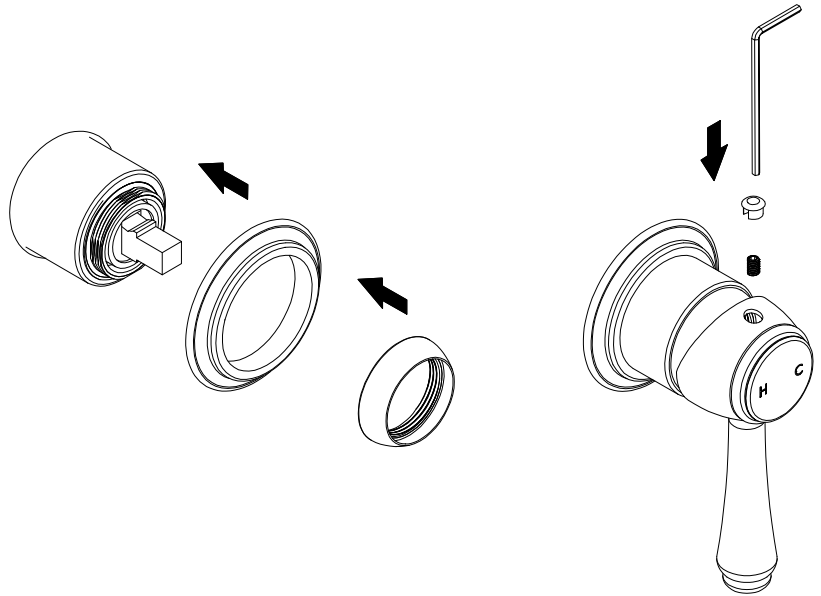
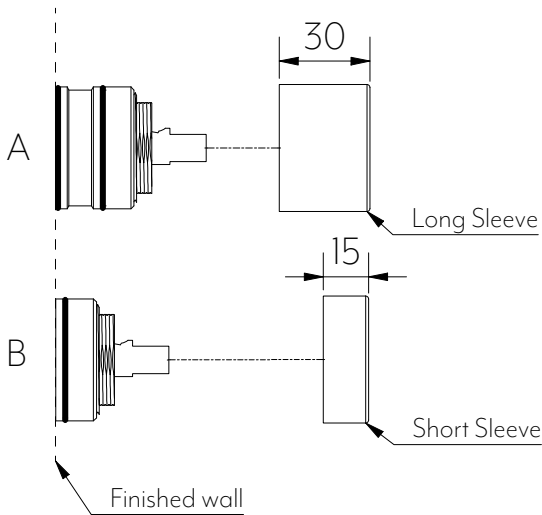


NOTE: See Minimal Mixer Body installation guide for In-Wall set out.

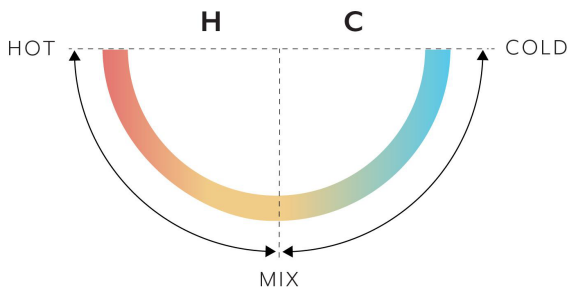
- ① Choose sleeve based on how far your In-wall protrudes from finish wall and slide on.

- ② Slide back plate on. Screw dome on.

- ③ Tighten grub screw with allen key. Replace grub screw cap.



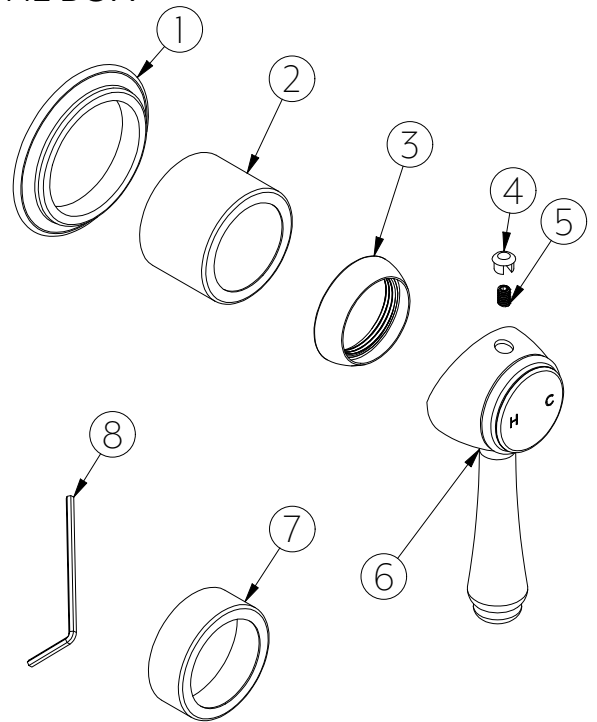
MIXER OPERATION



LIFT FOR PRESSURE

WHAT'S IN THE BOX

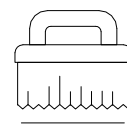
1. Back plate
2. Long sleeve
3. Dome
4. Grubs screw cap
5. Grub screw
6. Handle
7. Short sleeve
8. Allen key



Regularly clean with mild liquid detergent or soap and water



DO NOT use cream cleaners or bleach. These substances are abrasive



DO NOT use cleaning pads with abrasive surfaces as this may scratch the material