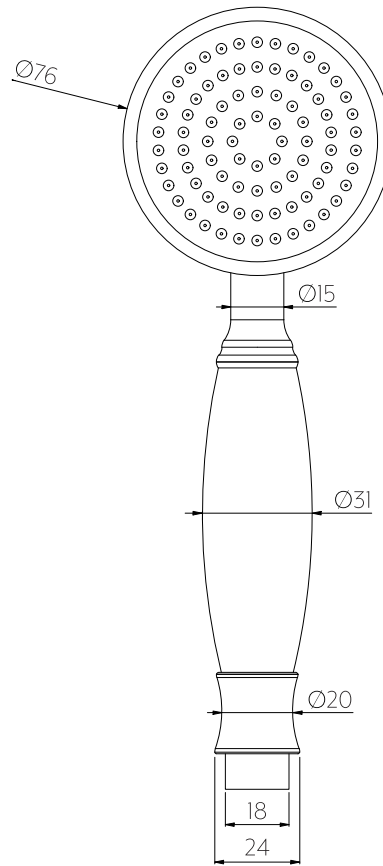


Side View



Front View



Note: Dimensions are nominal measurements only

SPECIFICATIONS

RECOMMENDED USE

Domestic

MATERIAL

Brass

TEMPERATURE RATING

Maximum continuous working temperature 75°C
If the water temperature exceeds 75°C, an approved tempering valve must be fitted

PRESSURE RATING

Recommended minimum working pressure 150kPa
Recommended maximum working pressure 500kPa
Hot and cold water inlet pressure should be equal

SUITABLE HOT WATER UNITS

Storage tank: Yes
Continuous Flow: Yes
Gravity Feed: Not suitable

STANDARDS

WELS 3 Star, 8L/min, S16471

INSTALLATION GUIDE

This product must be installed by a licensed plumber.

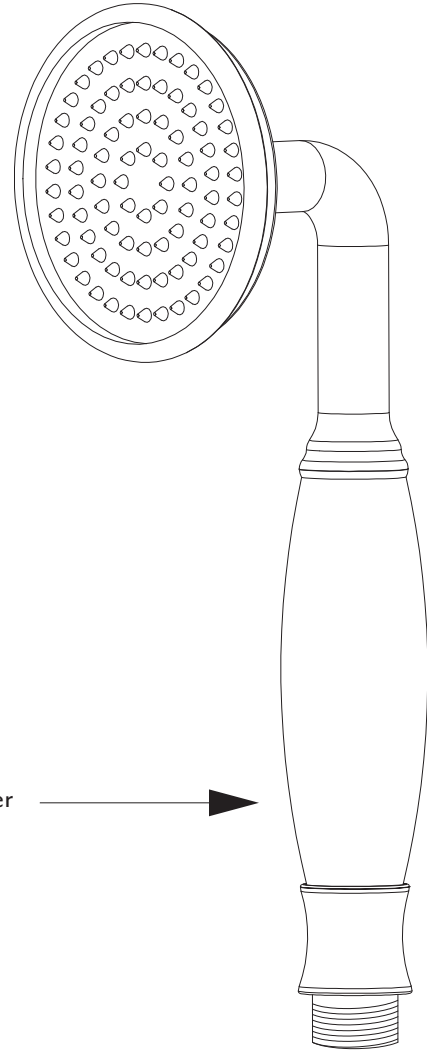
This is a general installation guide - there are many factors that are involved that can alter the installation method.

This product install must comply with AS/NZS 3500.



STEP ONE: Ensure flat washer is fitted inside the hose end.

STEP TWO: Connect the swivelling cone end of hose in a clockwise direction onto the Provincial Hand Shower and hand tighten



Hand Shower →

Flat Washer →

Shower Hose Swivelling Cone →



Regularly clean with mild liquid detergent or soap and water.



DO NOT use cream cleaners or bleach. These substances are abrasive.



DO NOT use cleaning pads with abrasive surfaces as this may scratch the material.