

Note: Dimensions are nominal measurements only

SPECIFICATIONS

RECOMMENDED USE

Domestic

CONSTRUCTION

Solid Brass

TEMPERATURE RATING

Maximum continuous working temperature 75°C
If the water temperature exceeds 75°C, an approved tempering valve valve must be fitted

PRESSURE RATING

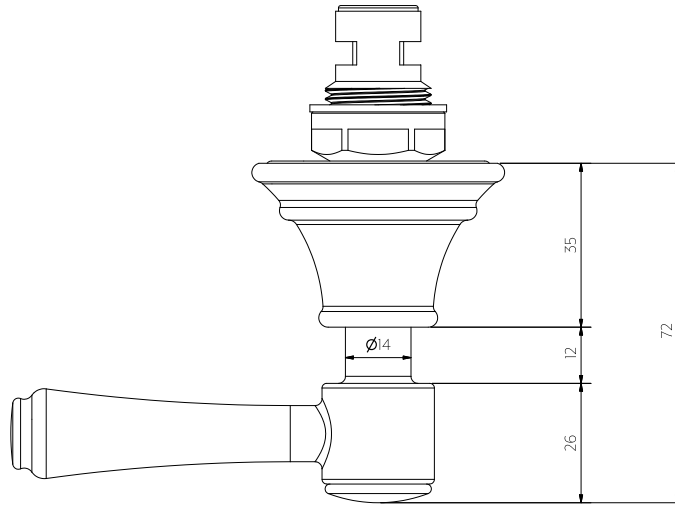
Recommended minimum working pressure 150kPa
Recommended maximum working pressure 500kPa
Hot and cold water inlet pressure should be equal

STANDARDS

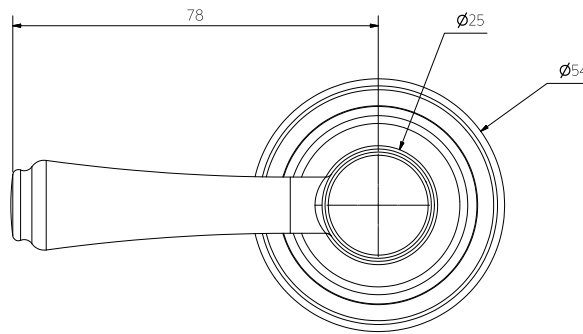
WELS 5 Star, 6L/Min, T40584

PACKAGING

Box 1 of 3: In-wall Assembly Taps Spindle Standard Set
Box 2 of 3: Kingsley Assembly Handle Kit
Box 3 of 3: Kingsley Wall-Mounted Spout



Top View



Front View

Note: Dimensions are nominal measurements only

SPECIFICATIONS

RECOMMENDED USE

Domestic

MATERIAL

Solid Brass

TEMPERATURE RATING

Maximum continuous working temperature 75°C
If the water temperature exceeds 75°C, an approved tempering valve must be fitted

PRESSURE RATING

Recommended minimum working pressure 150kPa
Recommended maximum working pressure 500kPa
Hot and cold water inlet pressure should be equal

SUITABLE HOT WATER UNITS

Storage tank: Yes
Continuous Flow: Yes
Gravity Feed: Not suitable

INSTALLATION GUIDE

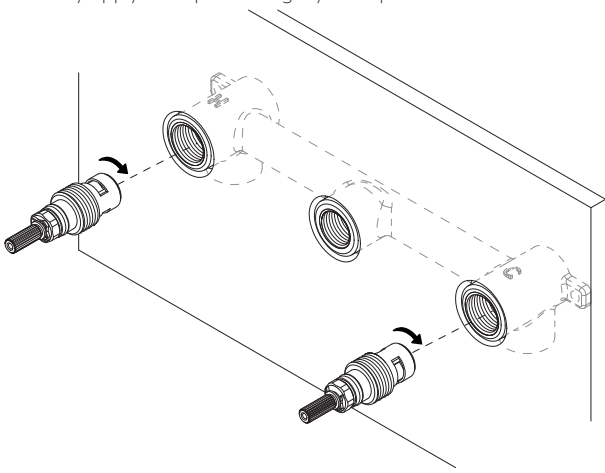
Note: This product must be installed by a licensed plumber. This is a general installation guide - there are many factors involved that can alter the installation method. **AU/NZ:** For installations within Australia and New Zealand, this product must be installed in compliance with AS/NZS 3500. **UK:** For installations in the United Kingdom this product must be installed in compliance with the Water Supply (Water Fittings) Regulations and Water Supply (Water Fittings) (Scotland) Byelaws. **Other:** For installations outside these countries, this product must be installed in compliance with the standards in your respective country.



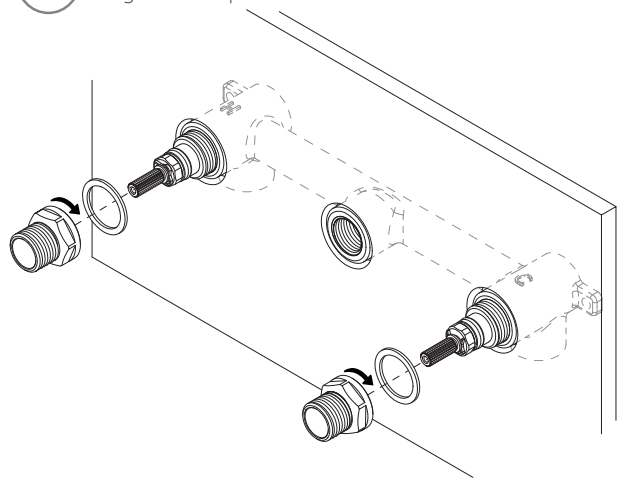
New Build - Install breach in desired position (please refer to additional install information regarding breach set backs).

Retrofitting Existing - Remove existing tapware & reseal body seats until shiny and smooth.

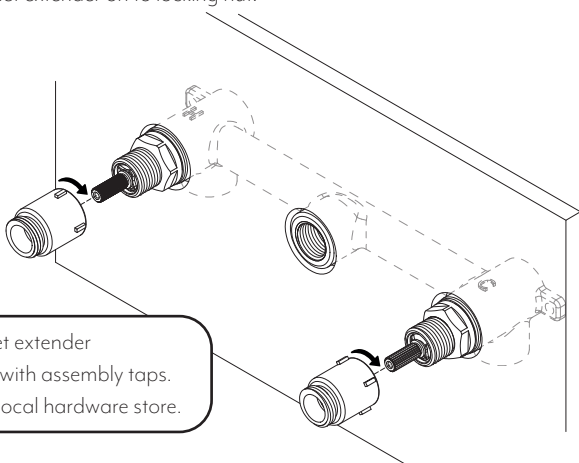
- 1 Remove locking nut from spindle. Screw spindle into breach and hand tighten until rear of spindle meets the body seat, be sure not to overtighten. If necessary apply more pressure lightly with spanner.



- 2 Fit the fibre washer over the spindle. Screw on the locking nut and tighten with spanner. TEST AND CHECK FOR LEAKS.

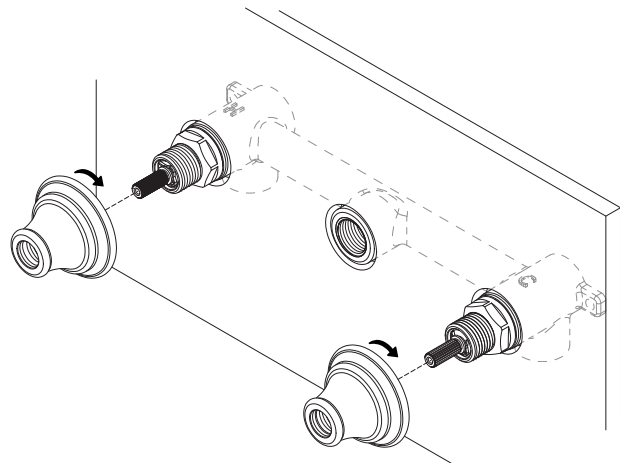


- 3 This product may require a bonnet extender (purchase at local hardware store) that may be required to cover the additional breach depth. Please refer to the following page for breach set back guide. If required, screw bonnet extender on to locking nut.

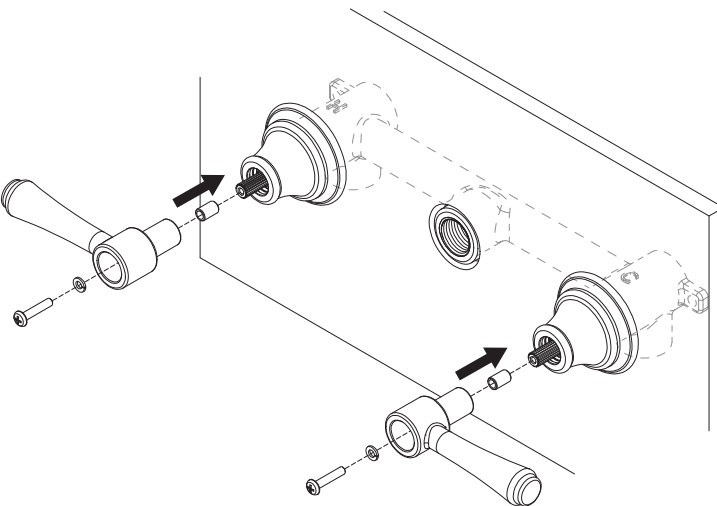


Note: Bonnet extender not included with assembly taps. Available at local hardware store.

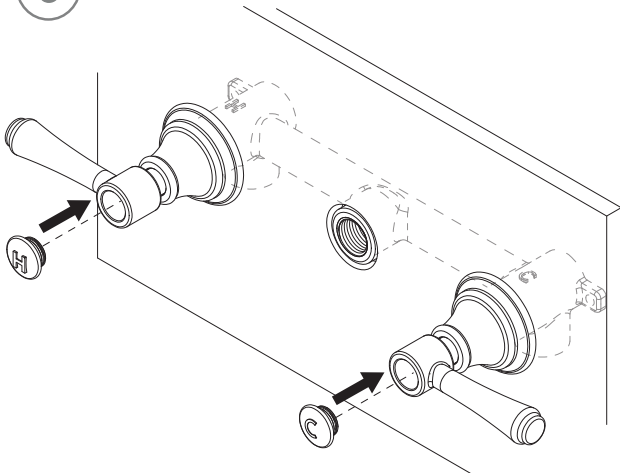
- 4 Install the back plate onto the locking nut (or bonnet extender if required), twisting by hand until tightened.



- 5 A 10mm brass spacer is provided to achieve optimum handle spacing from the back plate. Insert spacer into rear side of handle and install handle onto spindle, fixing with a screw and washer.



- 6 Insert handle cap into front of handle.



Regularly clean with mild liquid detergent or soap and water.



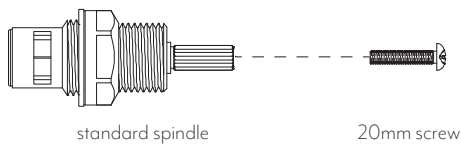
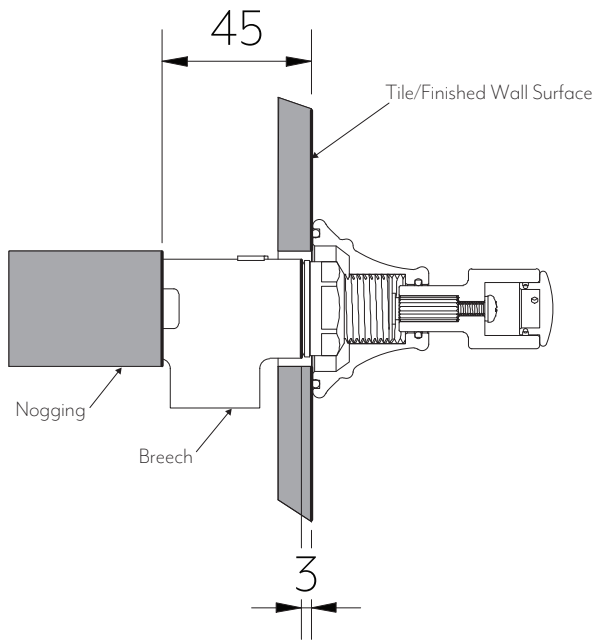
DO NOT use cream cleaners or bleach. These substances are abrasive.



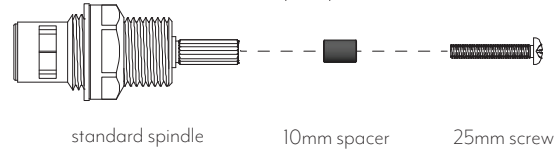
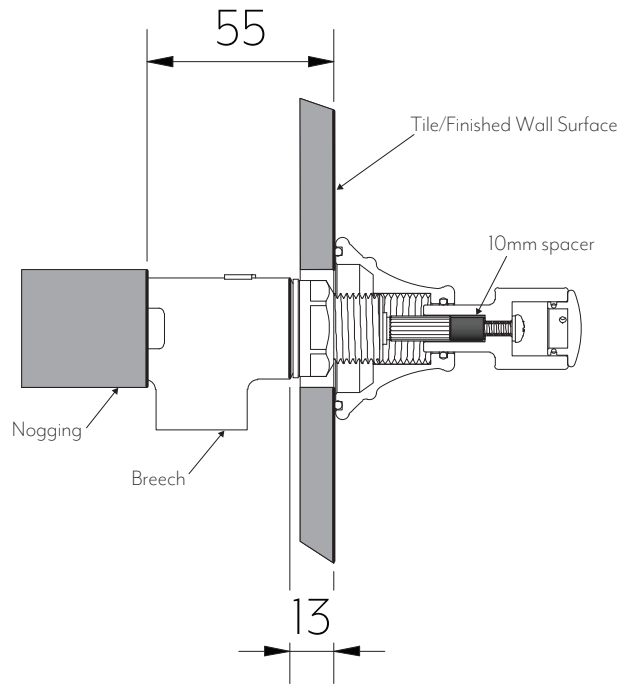
DO NOT use cleaning pads with abrasive surfaces as this may scratch the material.

SET BACK GUIDE

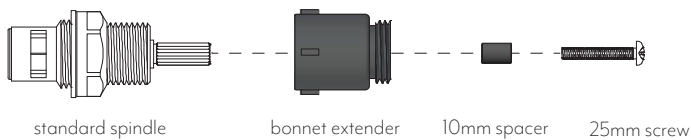
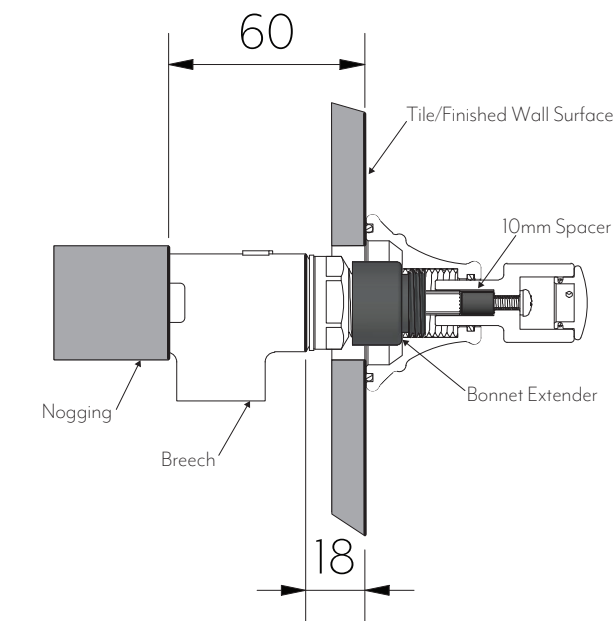
Note: This product must be installed by a licensed plumber. This is a general installation guide - there are many factors involved that can alter the installation method. **AU/NZ:** For installations within Australia and New Zealand, this product must be installed in compliance with AS/NZS 3500. **UK:** For installations in the United Kingdom this product must be installed in compliance with the Water Supply (Water Fittings) Regulations and Water Supply (Water Fittings) (Scotland) Byelaws. **Other:** For installations outside these countries, this product must be installed in compliance with the standards in your respective country.



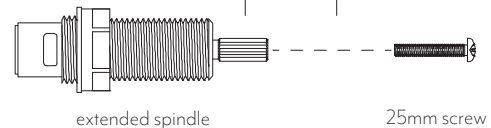
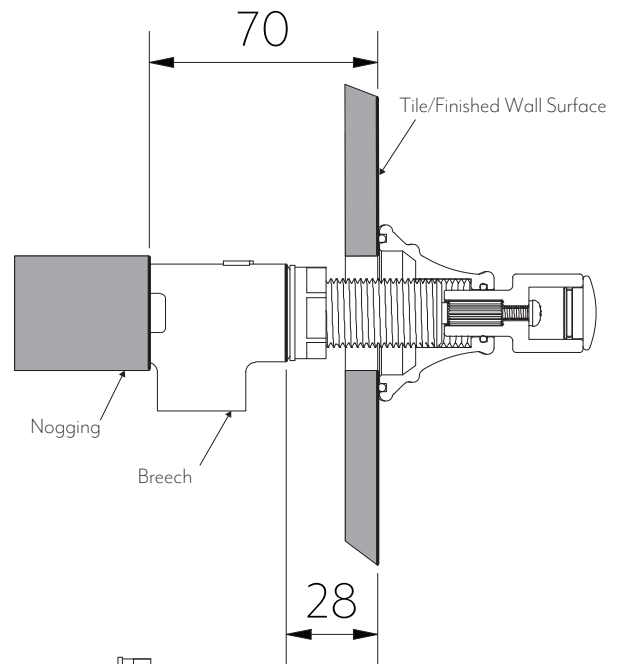
Minimum distance between nogging and finished wall surface is 45mm (or 3mm from in-wall breach to finished wall surface). To achieve this connection the standard spindle and 20mm screw is required.



To maintain optimum spacing between handle and back plate a 10mm spacer and 25mm screw are recommended for a distance of 45mm to 55mm from nogging to finished wall surface, (or 13mm from breach to finished wall surface).



For installations when distance between nogging and finished wall surface is between 55mm and 65mm an additional spindle bonnet extender is required (purchase separately). The bonnet extender can be cut to size to sit flush on the spindle locking nut.



For distances 65mm up to 70mm between nogging and finished wall surface, an extended spindle (available for additional purchase) is required. Note: To achieve distances greater than 70mm additional parts can be used with the extended spindle. (bonnet extender, 10mm brass spacer)

ASSEMBLY SETUP GUIDE

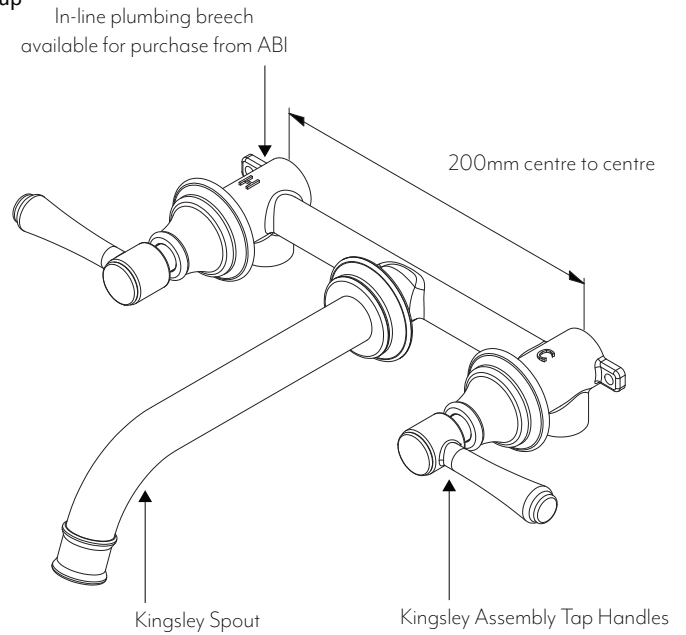
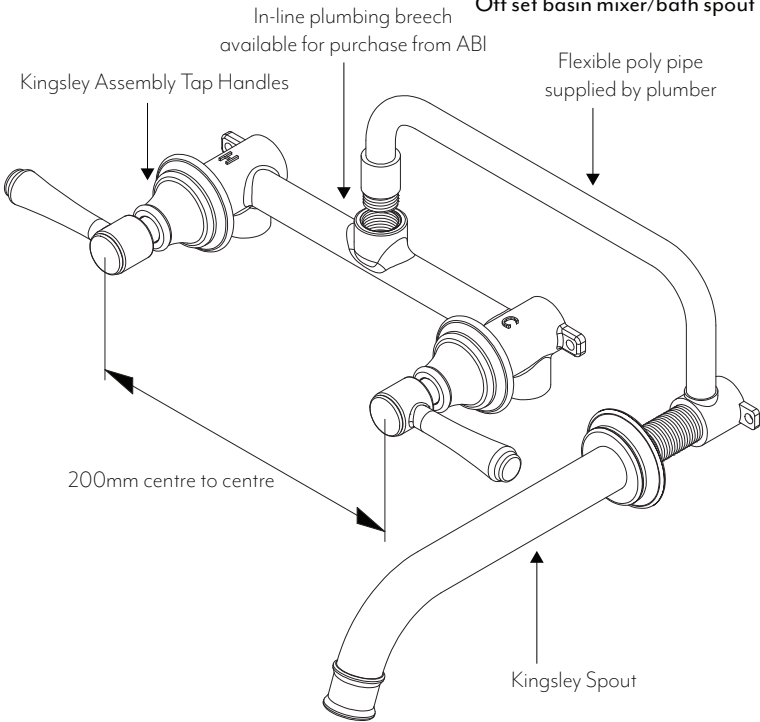


Note: This product must be installed by a licensed plumber. This is a general installation guide - there are many factors involved that can alter the installation method. **AU/NZ:** For installations within Australia and New Zealand, this product must be installed in compliance with AS/NZS 3500. **UK:** For installations in the United Kingdom this product must be installed in compliance with the Water Supply (Water Fittings) Regulations and Water Supply (Water Fittings) (Scotland) Byelaws. **Other:** For installations outside these countries, this product must be installed in compliance with the standards in your respective country.

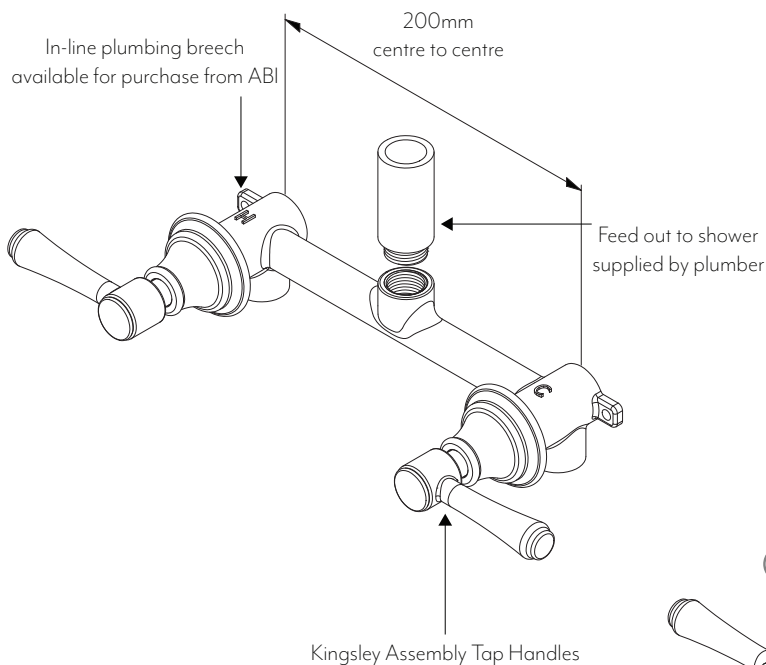
Example Two:

Centred basin mixer/bath spout setup

Example One: Off set basin mixer/bath spout setup

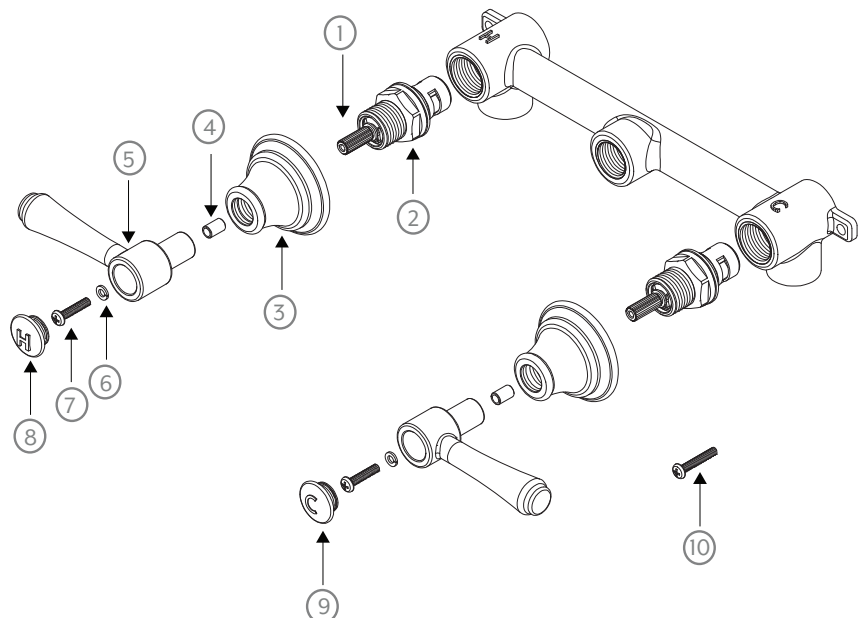


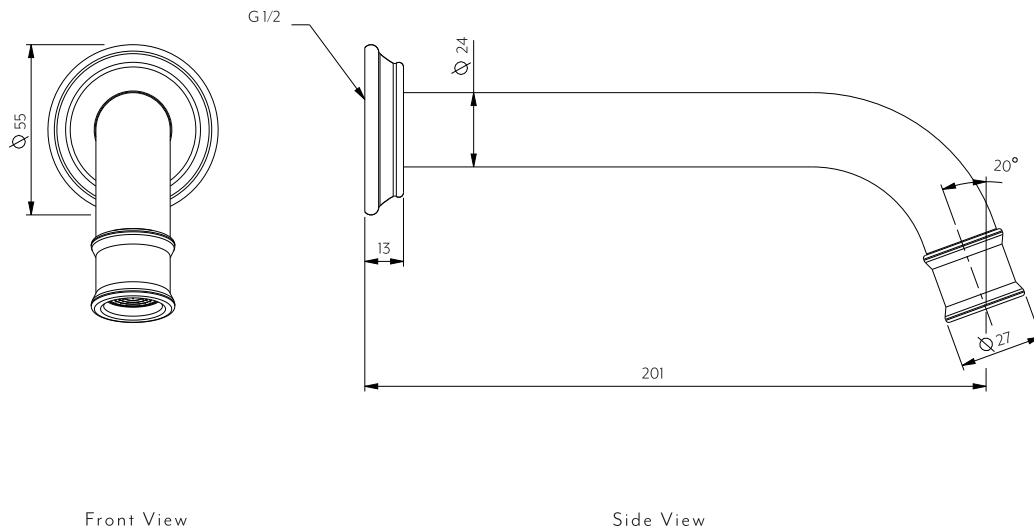
Example Three: Shower Setup



WHAT'S IN THE BOX

1. Spindle x 2
2. Spindle Locking Nut x 2
3. Back plate x 2
4. 10mm Brass Spacer x 2
5. Handle Body x 2
6. Washer x 2
7. 20mm screw x 2
8. 'Hot' Handle Cap x 1
9. 'Cold' Handle Cap x 1
10. 25mm screw x 2





Note: Dimensions are nominal measurements only

SPECIFICATIONS

RECOMMENDED USE

Domestic

MATERIAL

Solid Brass

TEMPERATURE RATING

Maximum continuous working temperature 75°C
If the water temperature exceeds 75°C, an approved tempering valve must be fitted

PRESSURE RATING

Recommended minimum working pressure 150kPa
Recommended maximum working pressure 500kPa
Hot and cold water inlet pressure should be equal

SUITABLE HOT WATER UNITS

Storage tank: Yes
Continuous Flow: Yes
Gravity Feed: Not suitable

STANDARDS

WELS 5 Star, 6L/min, T40086

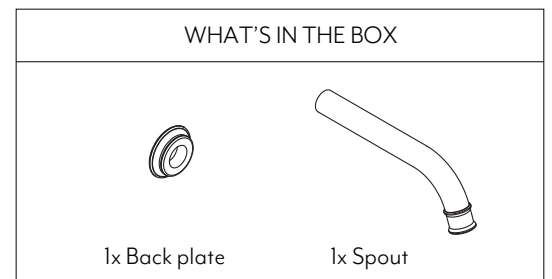
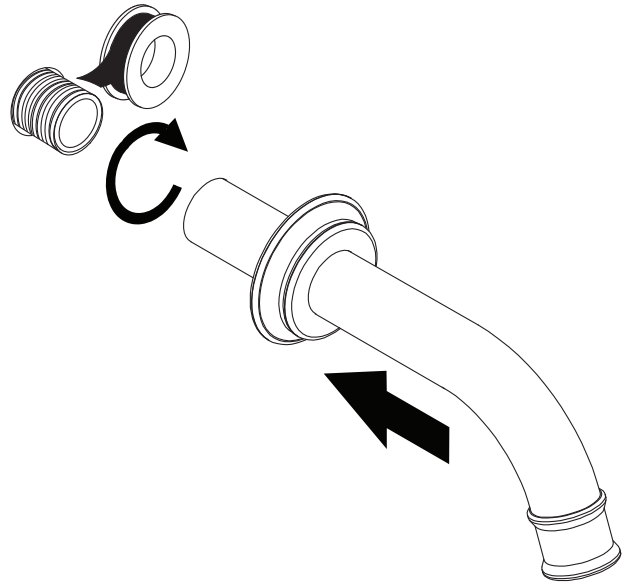
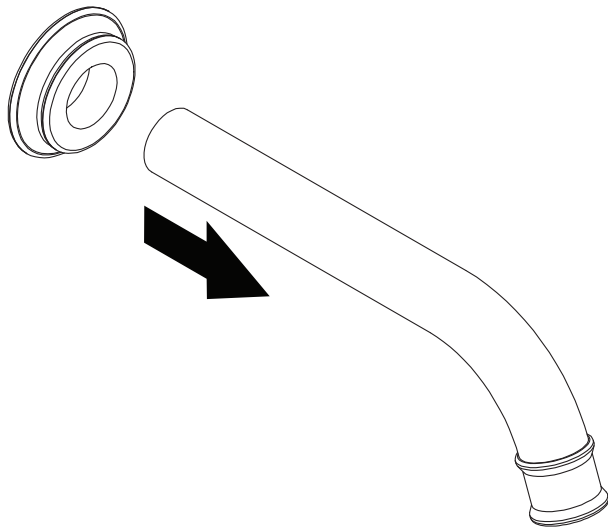
INSTALLATION GUIDE



Note: This product must be installed by a licensed plumber. This is a general installation guide - there are many factors involved that can alter the installation method. **AU/NZ:** For installations within Australia and New Zealand, this product must be installed in compliance with AS/NZS 3500. **UK:** For installations in the United Kingdom this product must be installed in compliance with the Water Supply (Water Fittings) Regulations and Water Supply (Water Fittings) (Scotland) Byelaws. **Other:** For installations outside these countries, this product must be installed in compliance with the standards in your respective country.

1 Slide back plate onto spout. Ensure o ring is firmly gripping the spout and creating a tight seal.

2 Apply the teflon tape to the brass nipple. Twist the spout on and hand tighten. Push back plate to the wall surface.



Regularly clean with mild liquid detergent or soap and water



DO NOT use cream cleaners or bleach. These substances are abrasive.



DO NOT use cleaning pads with abrasive surfaces as this may scratch the material.