

Note: Dimensions are nominal measurements only

SPECIFICATIONS

RECOMMENDED USE

Domestic, Commercial

MATERIAL

Solid Brass

TEMPERATURE RATING

Maximum continuous working temperature 75°C
If the water temperature exceeds 75°C, an approved tempering valve must be fitted

PRESSURE RATING

Recommended minimum working pressure 150kPa
Recommended maximum working pressure 500kPa
Hot and cold water inlet pressure should be equal

SUITABLE HOT WATER UNITS

Storage tank: Yes
Continuous Flow: Yes
Gravity Feed: Not suitable

STANDARDS

WELS 5 Star, 6L/Min, T41670

INSTALLATION GUIDE

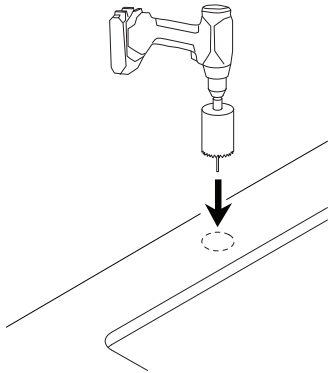
Note: This product must be installed by a licensed plumber. This is a general installation guide - there are many factors involved that can alter the installation method. **AU/NZ:** For installations within Australia and New Zealand, this product must be installed in compliance with AS/NZS 3500. **UK:** For installations in the United Kingdom this product must be installed in compliance with the Water Supply (Water Fittings) Regulations and Water Supply (Water Fittings) (Scotland) Byelaws. **Other:** For installations outside these countries, this product must be installed in compliance with the standards in your respective country.



- 1 Mark out desired location of spout.

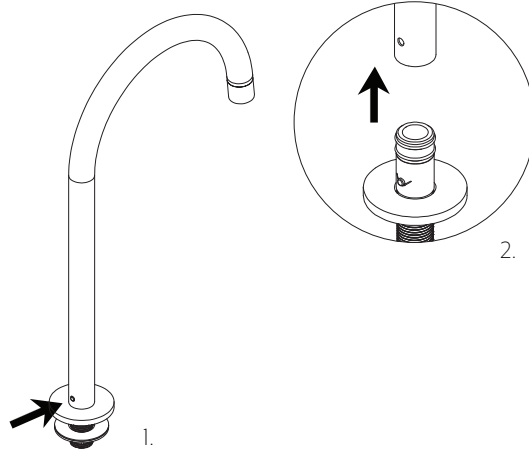
Cut hole using a 30mm hole saw.

Note: If cutting a stone benchtop it will need to be cut in a controlled environment by a licensed tradesperson as per OH&S regulations.

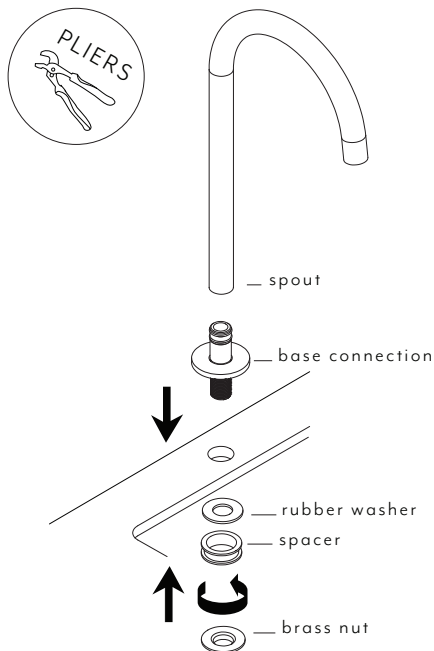


- 2 Remove the spout by pushing in the plastic clip with an allen key or screwdriver.

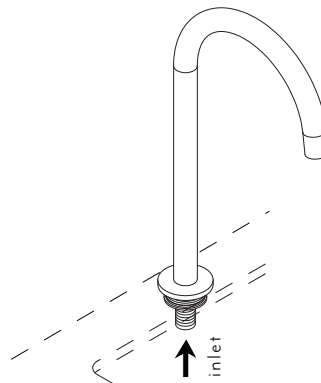
Caution: Be careful not to scratch the spout!



- 3 Fix base connection to benchtop with brass nut ensuring the rubber washer and spacer is fitted to the underside of the benchtop. Use pliers to hold the base connection while nut is tightened.



- 4 Connect pipework to inlet of spout.



IN THE BOX			
	1x spout		1x spacer (if required)
	1x base connection		1x rubber washer
			1x brass nut



Regularly clean with mild liquid detergent or soap and water



DO NOT use cream cleaners or bleach. These substances are abrasive.



DO NOT use cleaning pads with abrasive surfaces as this may scratch the material.

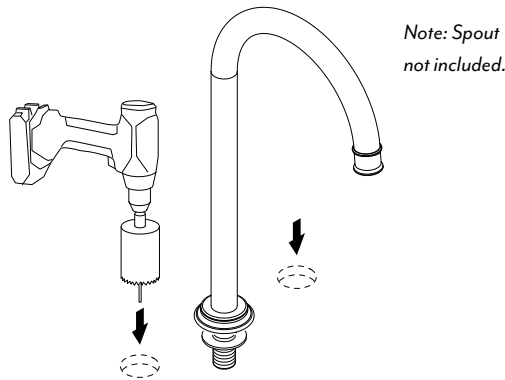
INSTALLATION GUIDE



This product must be installed by a licensed plumber. This is a general installation guide - there are many factors involved that can alter the installation method. AU/NZ: For installations within Australia and New Zealand, this product must be installed in compliance with AS/NZS 3500. UK: For installations in the United Kingdom this product must be installed in compliance with the Water Supply (Water Fittings) Regulations and Water Supply (Water Fittings) (Scotland) Byelaws. Other: For installations outside these countries, this product must be installed in compliance with the standards in your respective country.

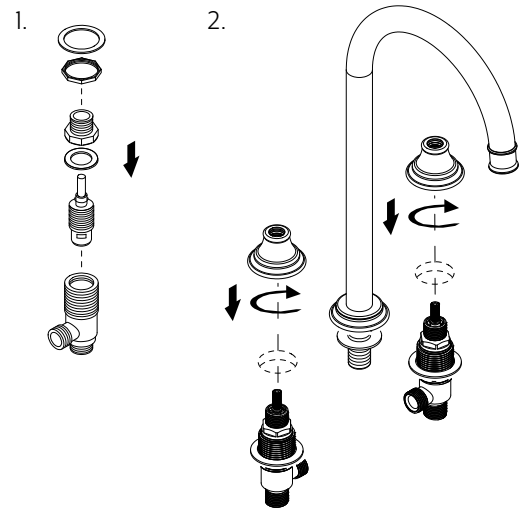
- 1 Mark out desired location of taps in relation to spout. Cut holes using a **35mm** hole saw.

Note: If cutting a stone benchtop it will need to be cut in a controlled environment by a licensed tradesperson as per OH&S regulations.

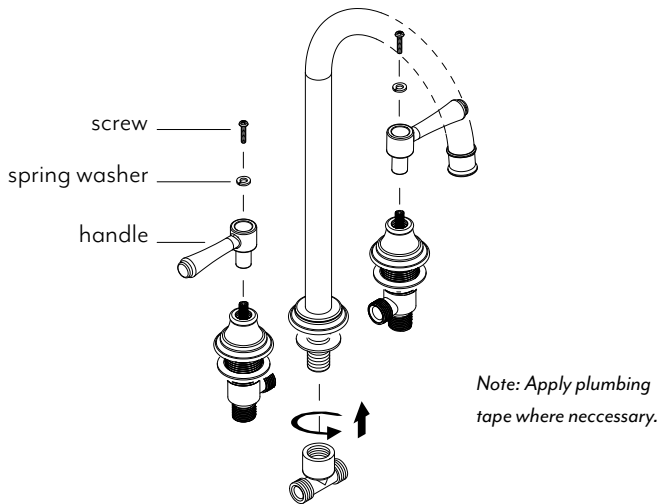


- 2 1. Screw spindle assembly into in-bench breech, followed by the brass nut and plastic washer on to basin body.

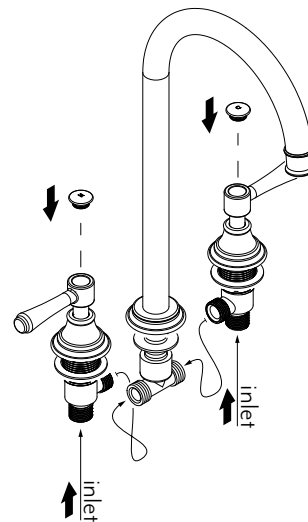
2. Push spindles through holes and secure to the bench top using the threaded baseplates, screw the sleeves on.



- 3 Fix handles by tightening up screws using a phillips head screwdriver. Screw compression t-fitting to spout.



- 4 Connect pipework to spout from taps using flexi hoses. **(flexi hoses not included)**



IN THE BOX - (In-bench)	
2 x in-bench breech	1 x compression tee fitting
2 x washer	2 x small nut
2 x large nut	2 x olive

IN THE BOX - (Handle kit)	
Handle cap x 2	Handle x 2
Screw x 2	Spacer x 2 <small>(not needed for this install)</small>
Spring washer x 2	Base plate x 2

IN THE BOX - (Spindle kit)	
Spindle x 2 <small>(1x R-hand turn, 1x L-hand turn)</small>	
O-ring x 2	
locking nut x 2	



Regularly clean with mild liquid detergent or soap and water.



DO NOT use cream cleaners or bleach. These substances are abrasive.



DO NOT use cleaning pads with abrasive surfaces as this may scratch the material.