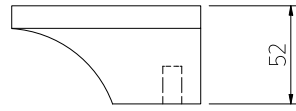
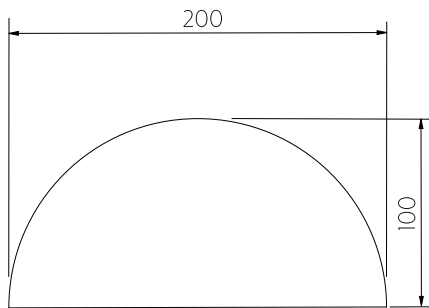


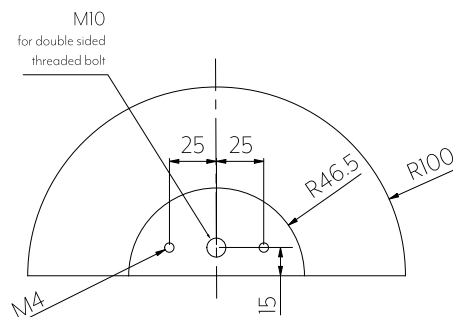
Top View



Side View



Front View



Back View

**Note:** Dimensions are nominal measurements only

## SPECIFICATIONS

### RECOMMENDED USE

Domestic

### MATERIAL

Ash Wood

### MOUNTING HARDWARE INCLUDED

Yes 4x M4 25mm Fixing Screw  
1x M8 80 mm threaded rod

### MOUNTS FROM

Front

### FIXING DISTANCE

22mm (centre to centre)

# INSTALLATION GUIDE

Note: This product must be installed by a licensed tradesperson.

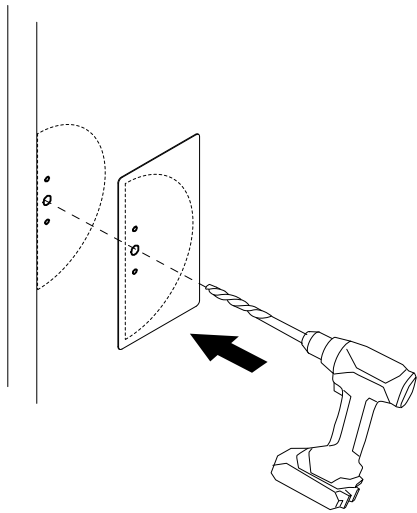
This is a general installation guide - there are many factors that are involved that can alter the installation method.

This product install must comply with the standards in your respective country and must be adhered to by your licensed tradesperson.



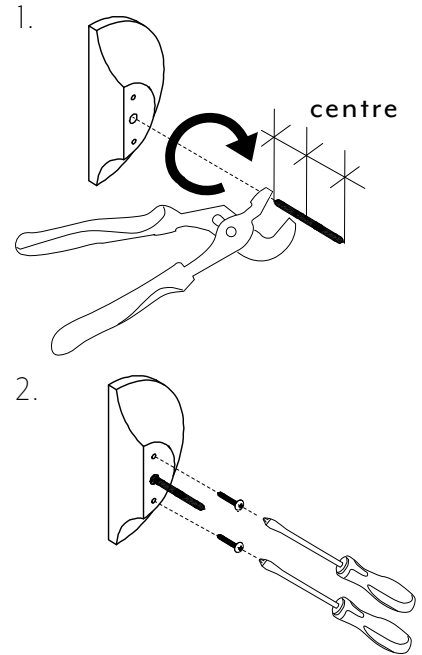
1. Using the template provided mark out the desired position for handle on both sides of door.

2. Drill prescribed holes through door for handle fixings  
**Note:** Gauge drill bit using hole sizes in template.

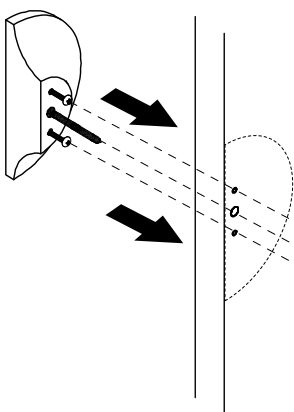


2. Using multi grips fasten threaded bolt into handle.  
**Note:** Fasten at centre of threaded bolt to ensure thread ends won't damage.

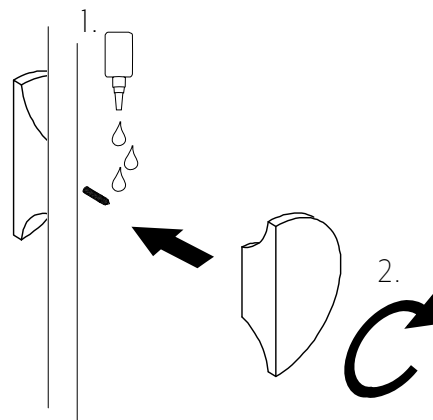
2. Using a Phillips head screwdriver fix screws into handle.



3. Mount handle by inserting bolt and screws through drilled holes.



4. 1. Apply thread lock adhesive glue to threaded rod end.  
2. Screw remaining handle onto bolt until handle is flat and firm against door.



Regularly clean with mild liquid detergent or soap and water.



DO NOT use cream cleaners or bleach. These substances are abrasive.



DO NOT use cleaning pads with abrasive surfaces as this may scratch the material.

# CABINETY HANDLE INSTALLATION GUIDE

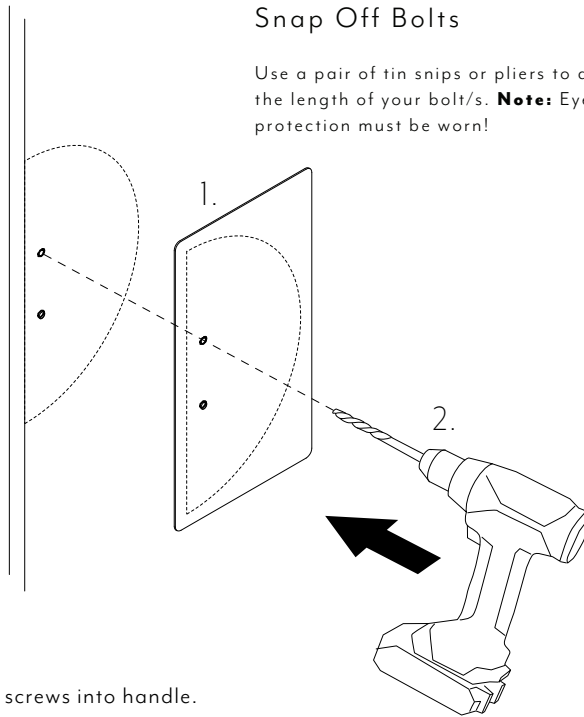
Note: This product must be installed by a licensed tradesperson.

This is a general installation guide - there are many factors that are involved that can alter the installation method.

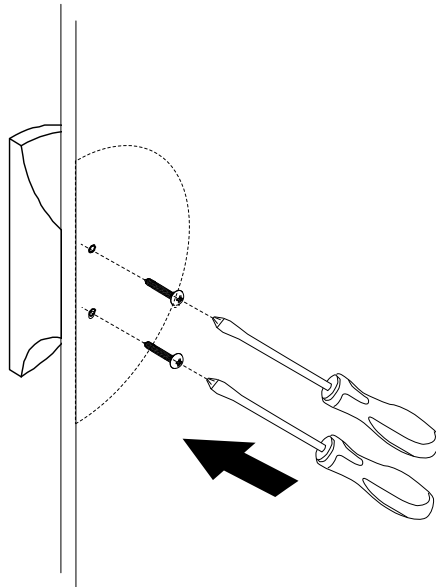
This product install must comply with the standards in your respective country and must be adhered to by your licensed tradesperson.







1. Using the template provided mark out the desired position for handle on both sides of door/drawer panel.
  2. Drill prescribed holes through door/drawer panel for handle fixings.
- Note:** Gauge drill bit using hole sizes in template.



2. Using a Phillips head screwdriver fix screws into handle.



IN THE BOX			
	4x Screws	1x Template	
		1x Threaded Bolt	2x Handles