

Note: Dimensions are nominal measurements only

SPECIFICATIONS

RECOMMENDED USE

Domestic

FUNCTION

Key to turning knob

SECURITY LEVEL

S7

INSTALLATION GUIDE

This product must be installed by a licensed tradesperson.

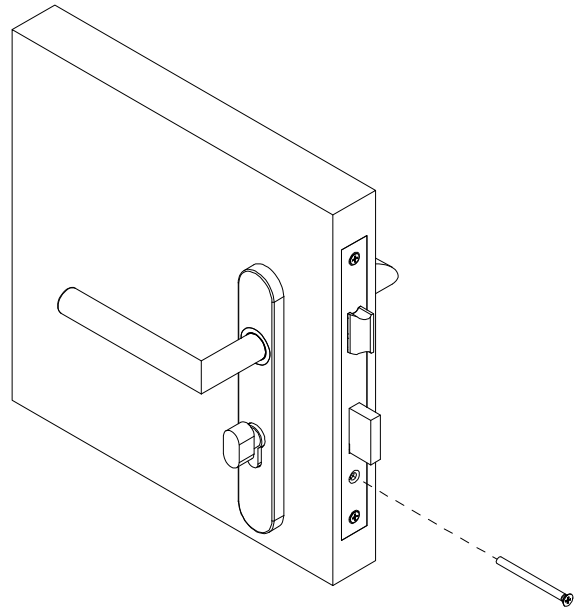
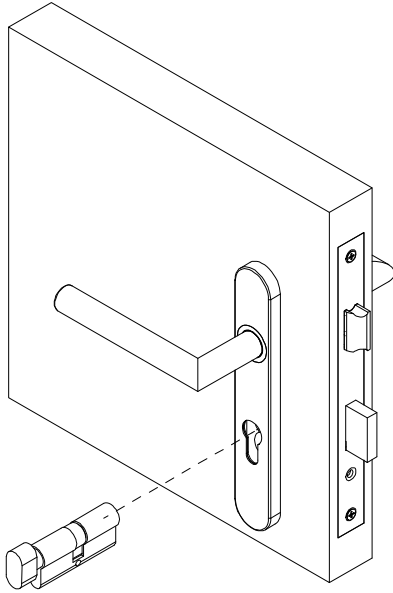
This is a general installation guide - there are many factors that are involved that can alter the installation method. This product install must comply with the standards in your respective country and must be adhered to by your licensed tradesperson.

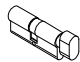




Eurocylinder

① Slide selected eurocylinder into door handle.

② Secure with fixing screw.



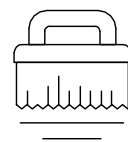
IN THE BOX			
	1x Eurocylinder	1x Eurocylinder fixing bolt	3x Keys



Regularly clean with mild liquid detergent or soap and water



DO NOT use cream cleaners or bleach. These substances are abrasive



DO NOT use cleaning pads with abrasive surfaces as this may scratch the material