

Note: Dimensions are nominal measurements only

SPECIFICATIONS

RECOMMENDED USE | WARRANTY

Domestic/Commercial

<https://www.abiinteriors.com.au/product/elysian-commercial-pull-out-kitchen-mixer/>

MATERIAL

304 Stainless Steel

TEMPERATURE RATING

Maximum continuous working temperature 75°C
If the water temperature exceeds 75°C, an approved tempering valve must be fitted

PRESSURE RATING

Recommended minimum working pressure 150kPa
Recommended maximum working pressure 500kPa
Hot and cold water inlet pressure should be equal

SUITABLE HOT WATER UNITS

Storage tank: Yes
Continuous Flow: Yes
Gravity Feed: Not suitable

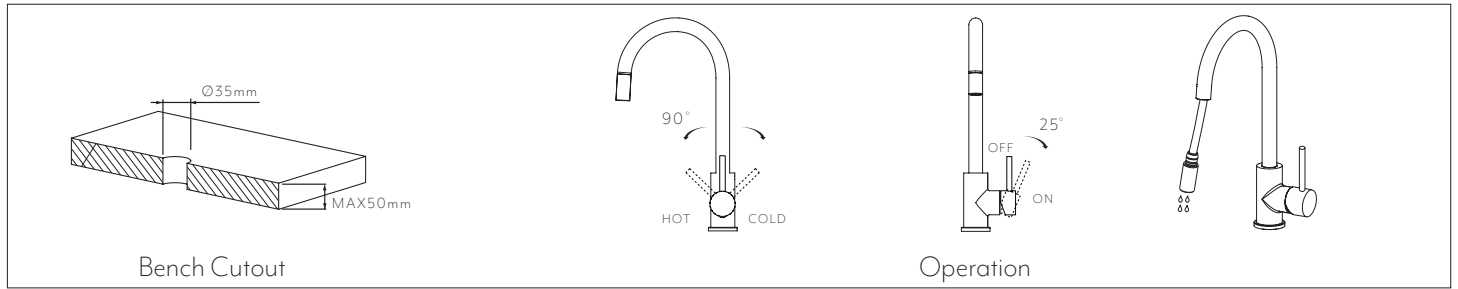
STANDARDS

WELS 4 Star, 7.5L/min, T45833

INSTALLATION GUIDE



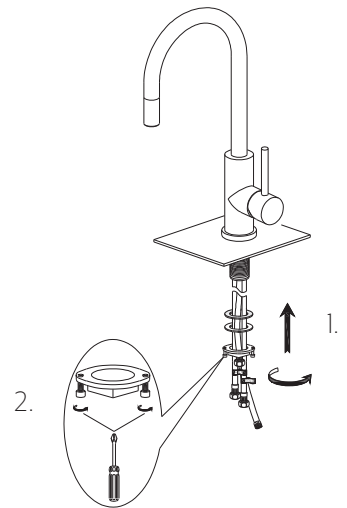
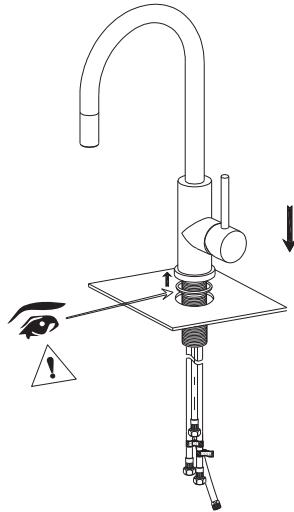
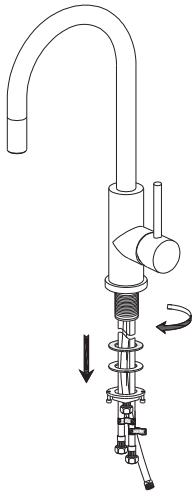
Note: This product must be installed by a licensed plumber. This is a general installation guide - there are many factors involved that can alter the installation method. **AU/NZ:** For installations within Australia and New Zealand, this product must be installed in compliance with AS/NZS 3500. **UK:** For installations in the United Kingdom this product must be installed in compliance with the Water Supply (Water Fittings) Regulations and Water Supply (Water Fittings) (Scotland) Byelaws. **Other:** For installations outside these countries, this product must be installed in compliance with the standards in your respective country.



1 Remove locking collar and washers

2 Feed all four flexy hoses through counter top cutout
***Note:** Ensure rubber is correctly recessed into base plate

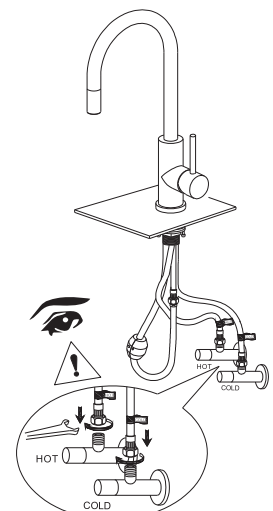
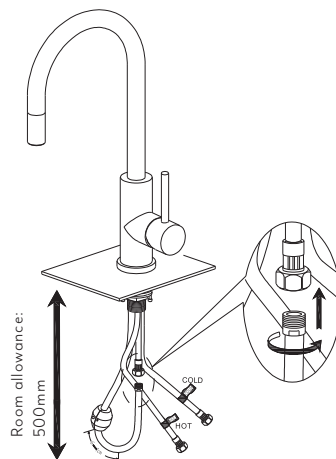
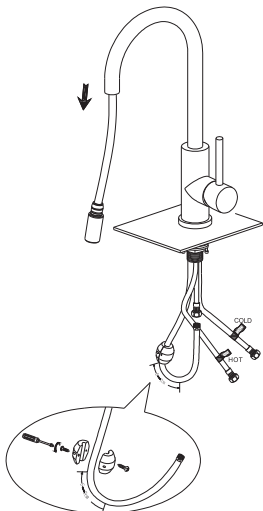
3 1. Replace both washers ensuring that the rubber washer goes on first.
 2. Use a screw driver to tighten the two bolts until the mixer is secured in place.



4 Connect weight to the pull-out hose. Test pull-out function and weight positioning before tightening with screw driver.

5 Connect pull-out hose to shorter flexy hose.

6 Connect Red and Blue Flexy hoses to Hot and Cold water outlets accordingly.



Regularly clean with mild liquid detergent or soap and water.



DO NOT use cream cleaners or bleach. These substances are abrasive.



DO NOT use cleaning pads with abrasive surfaces as this may scratch the material.